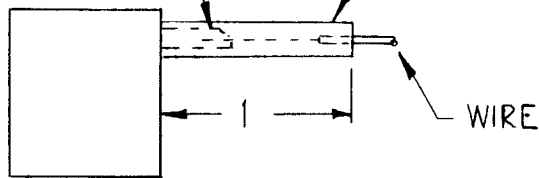


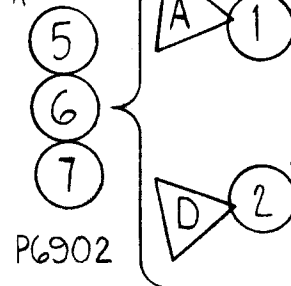
CONTACT SLEEVING ~ USE PX-100-1-106 (ITEM 8)



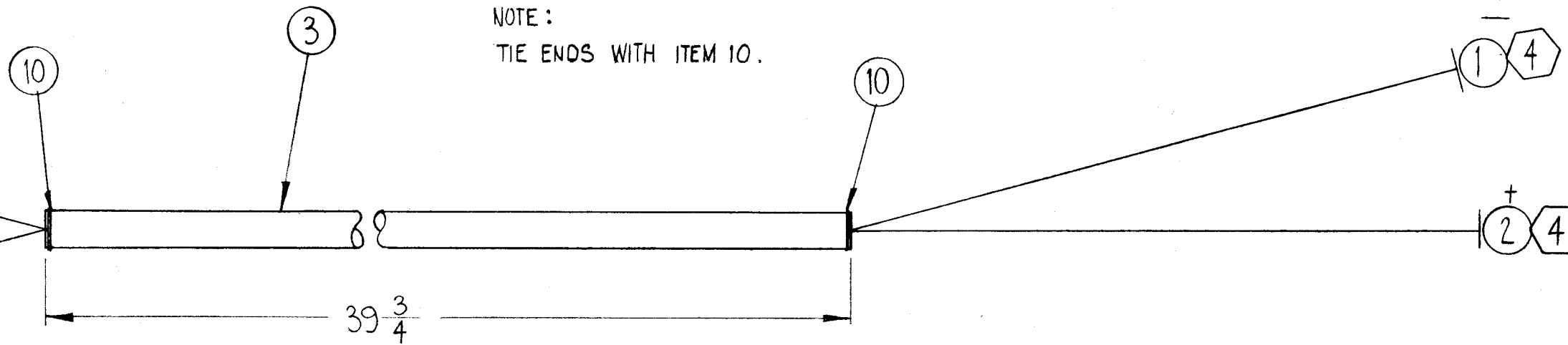
DETAIL "A"

5 MS3106B22-10P

SEE DETAIL "A"



NOTE:
TIE ENDS WITH ITEM 10.



~SYMBOL NOTES~

- DENOTES ITEM NOS.
- DENOTES LUGS
- DENOTES PINS

THIS SYMBOL DENOTES END OF INSULATION AND NAIL DRIVING POINT. WIRE MUST BE STRIPPED 3/4" BEYOND THIS POINT AND TINNED 1/2" UNLESS OTHERWISE SPECIFIED.

NOTES

1	GPT-200K AX-397	CA-753
Q'TY./UNIT	MODEL USED ON	ASS'Y. NO.
SCALE	CODE	
	A	
THE CONTENTS OF THIS DRAWING ARE THE EXCLUSIVE PROPERTY OF THE TECHNICAL MATERIEL CORP. ITS UNAUTHORIZED USE OR REPRODUCTION IN WHOLE OR IN PART IS STRICTLY FORBIDDEN.		

CA-758

REVISIONS

SYM	DESCRIPTION	DATE	E.M.N. NO.	DRAFT	CHKD	APPD
0	ORIGINAL RELEASE FOR PRODUCTION	5-27-63	0	A.M.		

REQ'D.	ITEM	PART NUMBER	DESCRIPTION	SYMBOL	
	10	CD-101-1-MW	CORD LACING	BLACK	
	9	BS-100	SOLDER, SOFT		
	8	PX-100-1-106	SLEEVING, INSULATION	BLACK	
	1	7	MS-3420-12A	BUSHING, CABLE	
	1	6	MS-3057-12	CABLE, CLAMP	
	1	5	MS-3106B22-10P	CONNECTOR, PLUG, MALE	P6902
	2	4	TE-156-32953	TERMINAL, SOLDERLESS	
		3	PX-100-1-375	SLEEVING, INSULATION	BLACK
		2	WI-140EE18E90	WIRE, ELECTRICAL	WH/BLK
		1	WI-140EE18E0	WIRE, ELECTRICAL	BLACK

F. BUDETTI

LIST OF MATERIAL

MATERIAL		THE TECHNICAL MATERIEL CORP. MAMARONECK, NEW YORK			
FINISH		TITLE CABLE ASS'Y., B- INTERCONNECT			
UNLESS OTHERWISE SPECIFIED DIMENSIONS ARE IN INCHES AND INCLUDE CHEMICALLY APPLIED OR PLATED FINISHES		DRAWN W.A. FRANCO	DATE 6-21-63	FINAL APPROVAL RAC	
DECIMALS .X ± .05 .XX ± .01 .XXX ± .005		CHECKED aa	DATE	DATE	
TOLERANCES		ELECT. DES. 88.	DATE	CA-758	
FRACTIONS ± 1/64 ANGLES ± 0° 30'		MECH. DES.	DATE	SHEET	
				REV. LTR.	