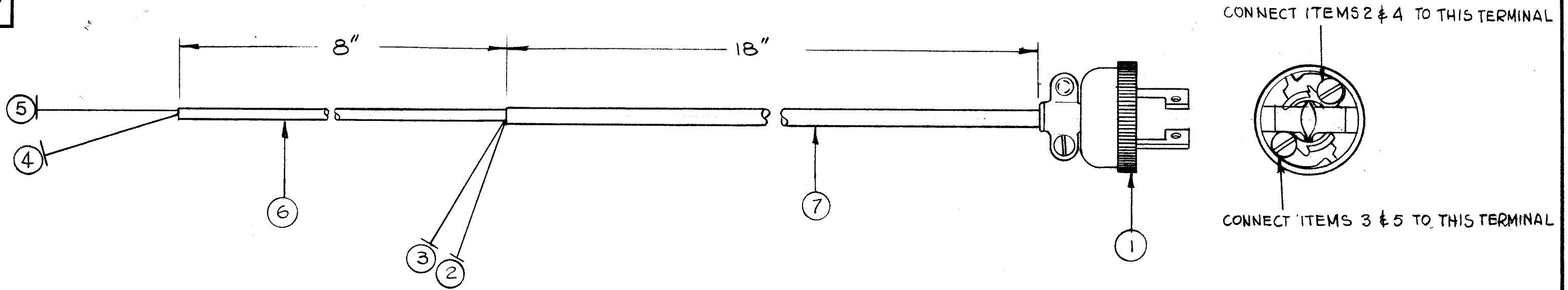


CA-745

THE CONTENTS OF THIS DRAWING ARE THE EXCLUSIVE PROPERTY OF THE TECHNICAL MATERIEL CORP. ITS UNAUTHORIZED USE OR REPRODUCTION IN WHOLE OR IN PART IS STRICTLY FORBIDDEN.



THIS SYMBOL DENOTES END OF INSULATION & NAIL DRIVING POINT. WIRE MUST BE STRIPPED 1/2" BEYOND THIS POINT & TINNED 3/8" UNLESS OTHERWISE SPECIFIED

THIS EQUALS THIS

1/2

X	8	BS-100	SOLDER, SOFT	
18"	7	PX-100-1-.166	INSULATION SLEEVING	
8"	6	PX-100-1-.085	INSULATION SLEEVING	
X	5	MWC 22(7)U9	CABLE INSULATED	WHT.
X	4	U0		BLK.
X	3	U9		WHT
X	2	MWC 22(7)U0	CABLE INSULATED	BLK
1	1	PL-171	PLUG, CONNECTOR MALE	

REQ.	ITEM	PART NO.	STRUMER	DESCRIPTION	SYMBOL
THE TECHNICAL MATERIEL CORP. MAMARONECK, NEW YORK					
CABLE, AC, POWER (AC POWER TO RMX)					
G.O.L.			DRAWN	CHECKED	FINAL APPROVAL
2			DDR-9A	A-3119	2-11-63
REQ. PER UNIT			MODEL	SECTION	ASS'Y. NO.
			USED ON		
			FINISH & SPEC. NO.	SEC. DES. APP.	MECH. DES. APP.

A	ITEMS (6) & (7) WERE PX-100-1-12, PX-100-1-6	4-17-63	8809	SC	JAY	BP
SYM	DESCRIPTION	DATE	CH. NO.	DRAFTS	CHECKER	ENG. APP.
UNLESS OTHERWISE SPECIFIED:		SCALE:				
DIMENSIONS ARE IN INCHES		MAXIMUM ALLOWABLE TOLERANCES HAVE BEEN DETERMINED AND ANY DEVIATIONS WILL BE CAUSE FOR REJECTION. REMOVE ALL BURRS AND SHARP EDGES				
TOLERANCES ON FRACTIONS ± 1/64		DECIMALS ± .005		ANGLES ± 1/2°		