

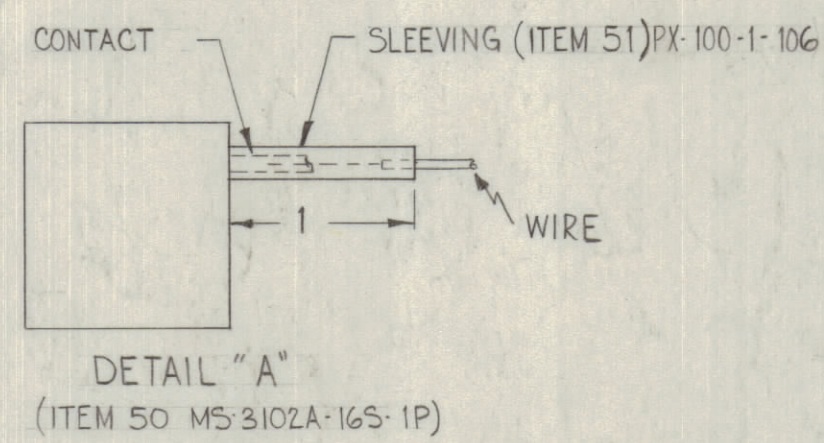
THIS SYMBOL DENOTES END OF INSULATION & NAIL DRIVING POINT. WIRE MUST BE STRIPPED 3/4" BEYOND THIS POINT & TINNED 1/2" UNLESS OTHERWISE SPECIFIED.

THIS EQUALS THIS

WIRES SHOULD BE PLACED IN CABLE IN NUMERICAL SEQUENCE AS THEY APPEAR IN ITEM COLUMN. SPACE LACING APPROX. 3/4" APART.

~ SYMBOL NOTES ~

- DENOTES ITEM NOS.
- ⬡ DENOTES LUGS
- △ DENOTES PINS



ZONE		SYM	DESCRIPTION	DATE	E.M.N. NO.	DRAFT	CHKD	APPD
0			ORIGINAL RELEASE FOR PRODUCTION	3-3-64		A.M.		
E2		A	ITEM (4) WAS TE156-32953 (40) WAS TE156-34160, (45) WAS TE156-32948	7-14-64	11802			

REQ'D.	ITEM	PART NUMBER	DESCRIPTION	SYMBOL
	58	MWC 18 (16) B97	CABLE, INSULATED, FIBERGLASS	WH/VIO
	57	MWC 18 (16) B94	CABLE, INSULATED, FIBERGLASS	WH/YEL
	56	WI-140EE18E2	WIRE, ELECTRICAL	RED
	55	WI-140EE18E2	WIRE, ELECTRICAL	RED
	54	BS-100	SOLDER, SOFT	
	53	CD-101-1-MW	CORD LACING	BLACK
1	52	MS-3102A-18-1G5	CONNECTOR RECEPTACLE, FEMALE	J5501
1	50	MS-3102A-1G5-1P	CONNECTOR PLUG	J5503
2	49	TE-156-32951	SOLDERLESS, TERMINAL	
	48	DELETED		
2	47	TE-156-32952	SOLDERLESS, TERMINAL	
1	46	TE-156-34159	SOLDERLESS, TERMINAL	
6	45	TE-156-32947	SOLDERLESS, TERMINAL	
1	44	EY-102-23	GROMMET, ELASTIC	
	43	MWC 20 (7) B92	CABLE, INSULATED, FIBERGLASS	WH/RED
	42	95		WH/GRN
	41	5		GREEN
	40	6		BLUE
	39	3		ORANGE
	38	93		WH/ORN
	37	MWC 20 (7) B92	CABLE, INSULATED, FIBERGLASS	WH/RED
	36	WI-140EE18E2	WIRE, ELECTRICAL	RED
	35	2		RED
	34	2		RED
	33	WI-140EE18E2	WIRE, ELECTRICAL	RED
	32	MWC 18 (16) B93	CABLE, INSULATED, FIBERGLASS	WH/ORN
	31	MWC 16 (19) B93		WH/ORN
	30	95		WH/GRN
	29	96		WH/BLUE
	28	MWC 16 (19) B96		WH/BLUE
	27	MWC 20 (7) B96		WH/BLUE
	26	MWC 16 (19) B96		WH/BLUE
	25	DELETED		
	24	MWC 20 (7) B3		ORANGE
	23	MWC 20 (7) B91		WH/BRN
	22	MWC 16 (19) B91		WH/BRN
	21	MWC 16 (19) B91		WH/BRN
	20	MWC 16 (19) B91		WH/BRN
	19	MWC 20 (7) B7		VIOLET
	18	MWC 20 (7) B1		BROWN
	17	MWC 16 (19) B1		BROWN
	16	MWC 16 (19) B1		BROWN
	15	MWC 16 (19) B1		BROWN
	14	MWC 20 (7) B93		WH/ORN
	13	MWC 18 (16) B94	CABLE, INSULATED, FIBERGLASS	WH/YEL
	12	WI-140EE18E95	WIRE, ELECTRICAL	WH/GRN
	11	MWC 20 (7) B3	CABLE, INSULATED, FIBERGLASS	ORANGE
	10	MWC 18 (16) B0		BLACK
	9	MWC 20 (7) B4		YELLOW
	8	MWC 20 (7) B6		BLUE
	7	MWC 18 (16) B97		WH/VIO
	6	MWC 18 (16) B7		VIOLET
	5	MWC 18 (16) B93		WH/ORN
	4	MWC 20 (7) B92		WH/RED
	3	MWC 18 (16) B92		WH/RED
	2	MWC 18 (16) B90		WH/BLK
	1	MWC 18 (16) B9	CABLE, INSULATED, FIBERGLASS	WHITE

F. BUDETTI		LIST OF MATERIAL	
MATERIAL		THE TECHNICAL MATERIEL CORP. MAMARONECK, NEW YORK	
FINISH		TITLE: WIRING HARNESS BRANCHED (BIAS SUPPLY)	
QTY./UNIT	SCALE	MODEL USED ON	ASS'Y. NO.
1	1:1	GPT-200K	AP-108
CODE			
A			
UNLESS OTHERWISE SPECIFIED DIMENSIONS ARE IN INCHES AND INCLUDE CHEMICALLY APPLIED OR PLATED FINISHES		DRAWN	DATE
		W.A. FRANCO	5-8-63
CHECKED		DATE	
		2-10-64	
ELECT. DES.		DATE	
		2-10-64	
MECH. DES.		DATE	
		2-10-64	
DECIMALS	FRACTIONS	FINAL APPROVAL	
±.05	± 1/64	KAL	
±.01	± 1/32	DATE	
±.005	± 0° 30'	2-10-64	
TOLERANCES		CA-727	
		SHEET	
		REV. LTR.	
		A	

NOTES

THE CONTENTS OF THIS DRAWING ARE THE EXCLUSIVE PROPERTY OF THE TECHNICAL MATERIEL CORP. ITS UNAUTHORIZED USE OR REPRODUCTION IN WHOLE OR IN PART IS STRICTLY FORBIDDEN.