

NOTE: 1- TERMINATE SHIELDS FOR ITEMS (13) (14) (15) AT ITEM (16)  
 2- " " " " (18) (19) (20) " " (21)  
 3- " " " " (11) (12) (17) " " (S)

NOTE: 1- TERMINATE SHIELD FOR ITEM (1) AT PIN (P)  
 2- " " " " (11) " " (L)

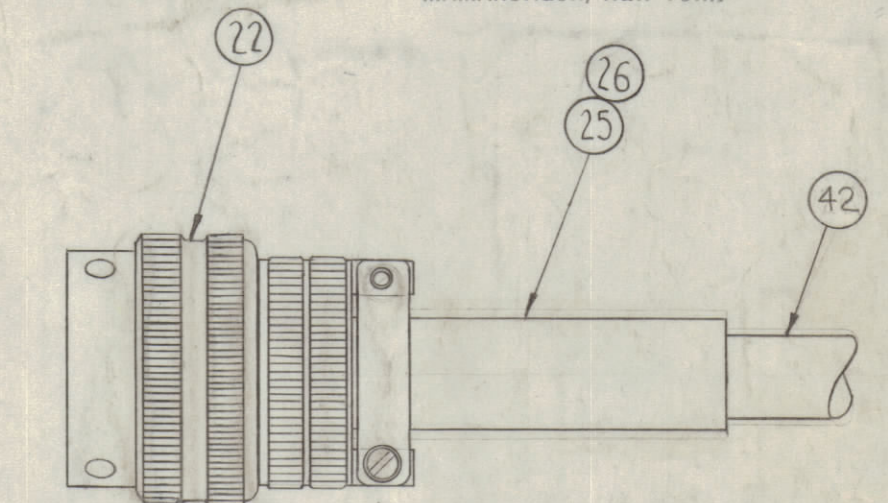
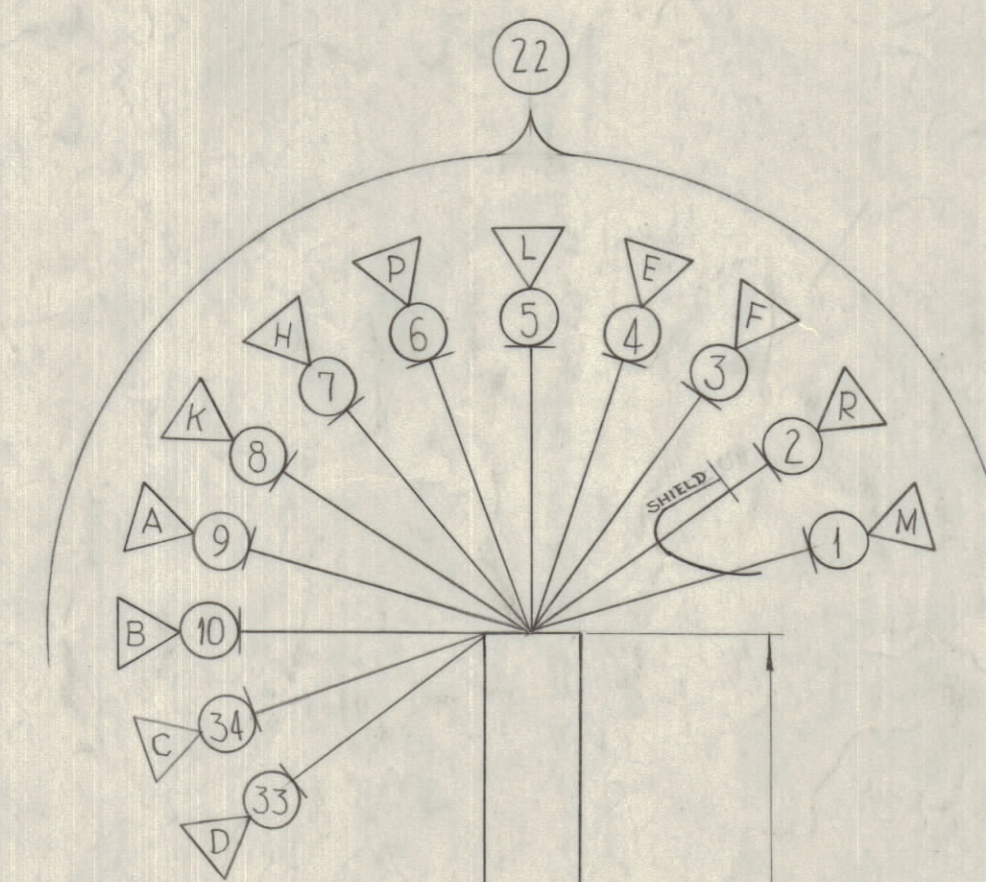
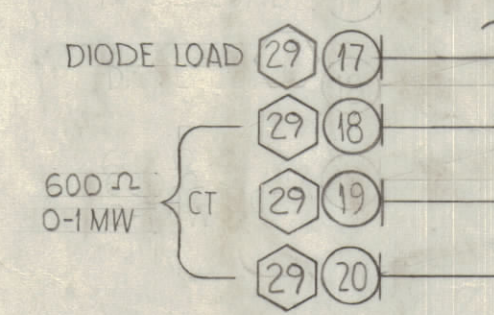
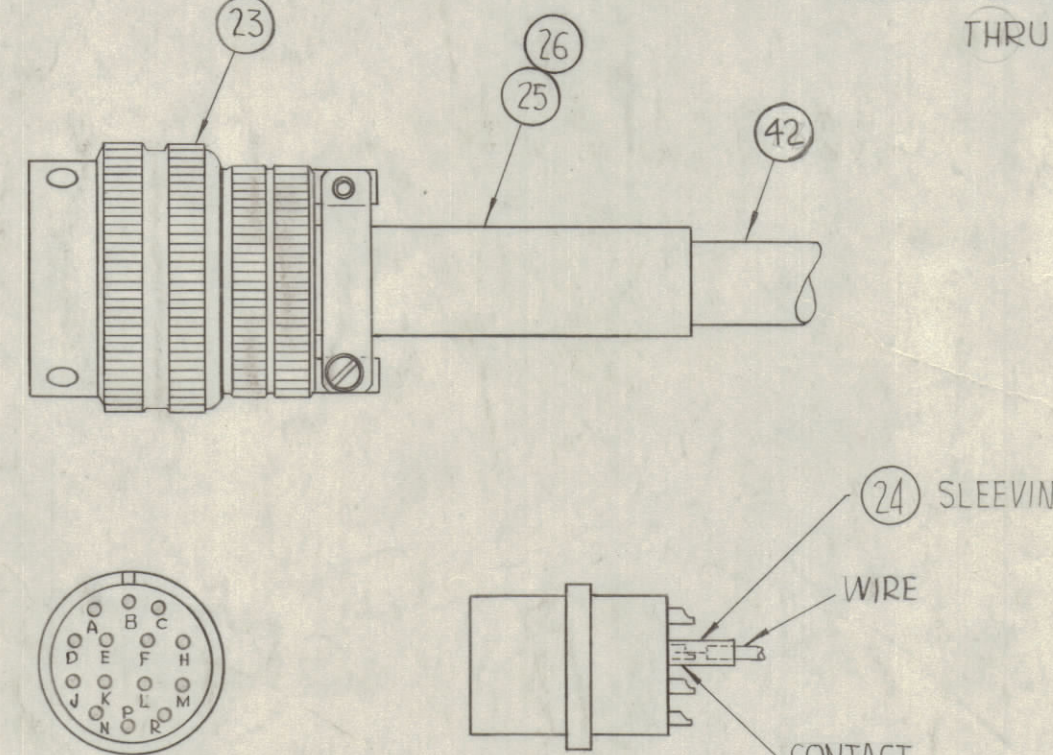
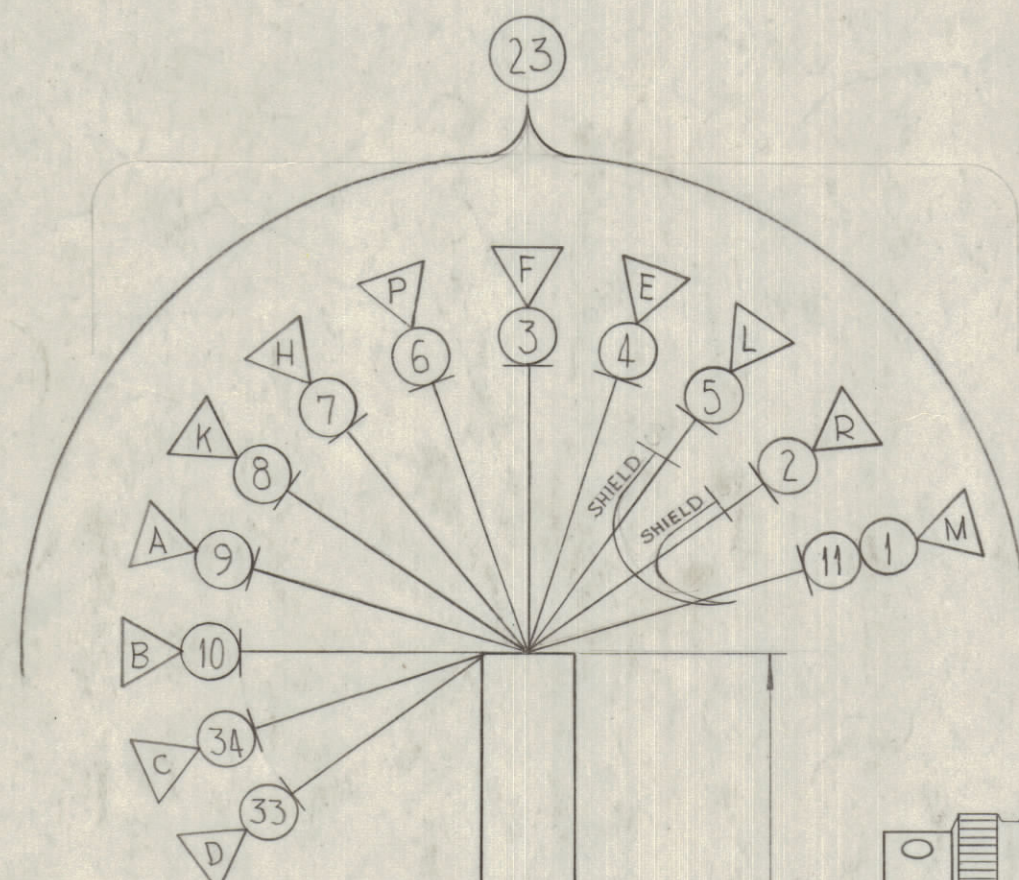
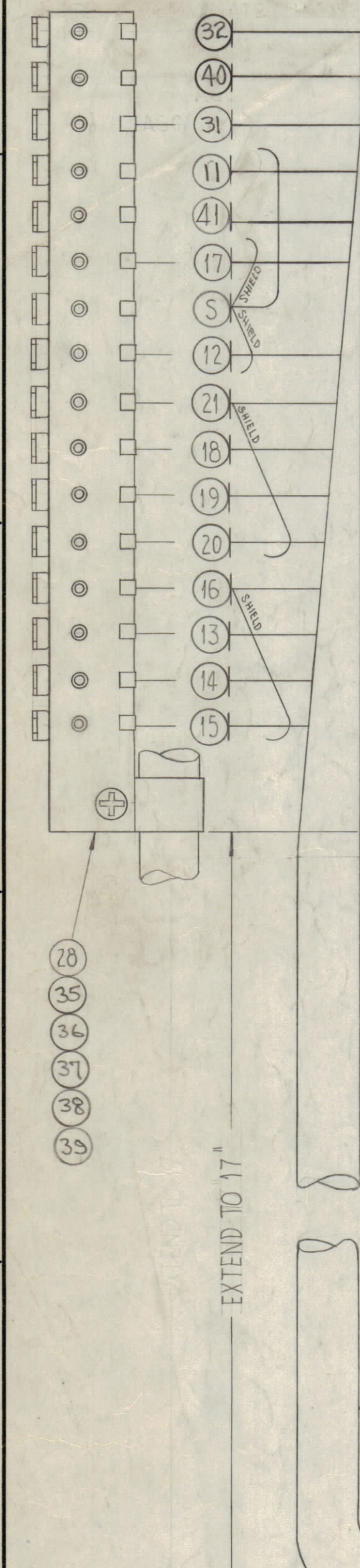
NOTE: TERMINATE SHIELDS FOR ITEMS (12) THRU (15) AT ITEM (16)

NOTE: TERMINATE SHIELDS FOR ITEMS (17) THRU (20) AT ITEM (21)

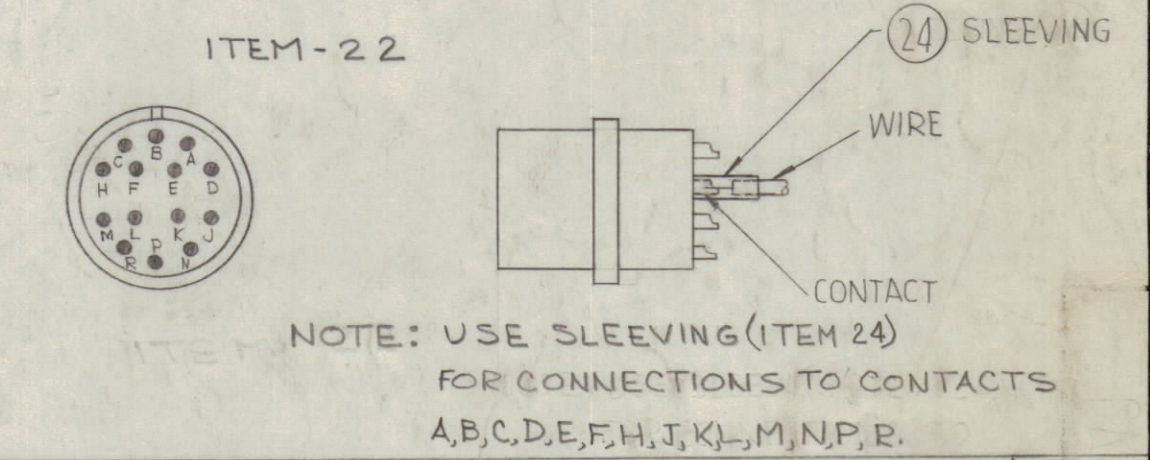
NOTE: USE SLEEVING (ITEM 24) FOR CONNECTIONS TO CONTACTS A, B, C, D, E, F, H, J, K, L, M, N, P, R.

NOTE: TERMINATE SHIELD FOR ITEM (1) AT PIN (R)

NOTICE TO PERSONS RECEIVING THIS DRAWING  
 THE TECHNICAL MATERIEL CORPORATION claims proprietary right in the material disclosed hereon. This drawing is issued in confidence for engineering information only and may not be reproduced or used to manufacture any item shown hereon without permission from THE TECHNICAL MATERIEL CORPORATION to the user. This drawing is loaned for mutual assistance and is subject to recall at any time.  
 Property of:  
 THE TECHNICAL MATERIEL CORPORATION  
 MAMARONECK, NEW YORK



44	PX100-1-500	INSULATION, SLEEVING, SZ 1/2	
43	PX100-1-438	INSULATION, SLEEVING, SZ 7/16	
42	PX100-1-375	INSULATION, SLEEVING, SZ 3/8	

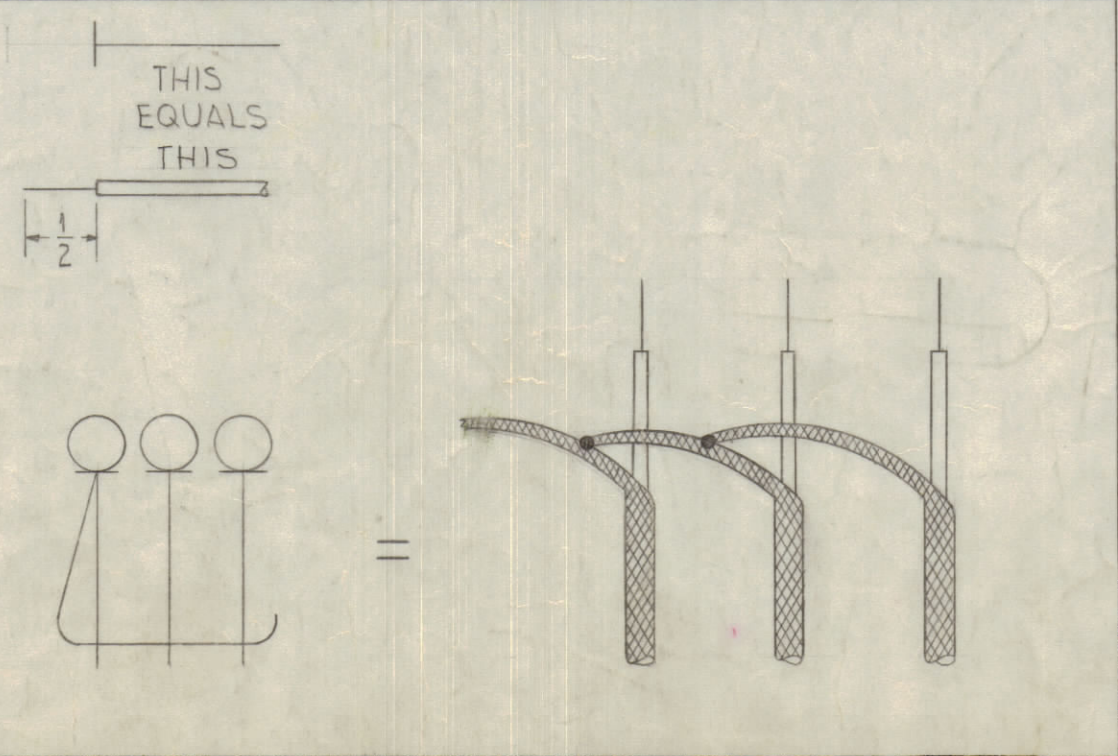
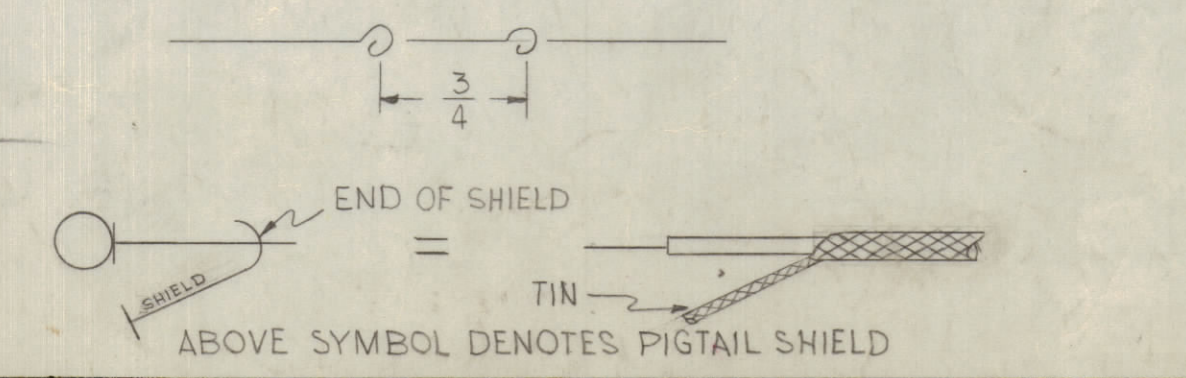


ITEM	PART NO.	DESCRIPTION	SYMBOL
41	MWC22(7)U0	CABLE, INSULATED	BLACK
40	MWC22(7)U96	CABLE, INSULATED	WH/BLU
39	SCBP0632 BING	SCREW, MACHINE	
38	FW06 HBN	WASHER, FLAT	
37	LWE06 MRN	LOCK WASHER, EXT.	
36	NTH0632 BN8	NUT, HEXAGON	
35	CU-102-5	CLAMP, "G" TYPE	
34	MWC 18 (16) U91	CABLE, INSULATED	WH/BRN
33	MWC 18(16) U1		BROWN
32	MWC 22(7)U7		VIOL.
31	MWC 22(7)U6	CABLE, INSULATED	BLUE
30	CD-101-1MW	CORD, LACING	BLACK
29	TE 120-2	LUGS	
28	TM 105-16-AL	FANNING STRIP	
27	PX100-1-133	INSULATION, SLEEVING, SZ 8	BLACK
26	MS 3420 12A	BUSHING, CABLE ADAPTER TELESCOPING	BLACK
25	MS 3420-8A	BUSHING, CABLE, ADAPTER TELESCOPING	BLACK
24	PX100-1-095	INSULATION SLEEVING	BLACK
23	PL-212-2	CONNECTOR, PLUG FEMALE	
22	PL-212-1	CONNECTOR, PLUG MALE	
21	MWC 22(7)U0	CABLE, INSULATED	BLACK
20	SJ6	CABLE, INSULATED, SHIELDED / JACKET	BLUE
19	SJ4		YELLOW
18	SJ2		RED
17	SJ3	CABLE, INSULATED, SHIELDED / JACKET	ORNG
16	U0	CABLE, INSULATED	BLACK
15	SJ6	CABLE, INSULATED, SHIELDED / JACKET	BLUE
14	SJ4		YELLOW
13	SJ2		RED
12	SJ3		ORNG
11	MWC 22(7) SJ5	CABLE, INSULATED, SHIELDED / JACKET	GREEN
10	MWC 22(7) U2	CABLE, INSULATED	RED
9	96		WH/BLU
8	U6		BLUE
7	U7		VIOLET
6	U0		BLACK
5	MWC 22(7) U0		BLACK
4	MWC 18 (16) U1		BROWN
3	MWC 18 (16) U91		WH/BRN
2	MWC 22(7) U0	CABLE, INSULATED	BLACK
1	MWC 22(7) SJ5	CABLE, INSULATED, SHIELDED / JACKET	GREEN

SYMBOL	ZONE	DESCRIPTION	DATE	CH. NO.	DRAFTS	CHECKER	ENG. APP.
D	D8	CHG'D DIM FR 40" TO 46"	12-15-64	17503	RME		
C	-	2N 5M ALL SHIELDED JACKET "S3" WIRES WERE SHIELDED "S" WIRES.	11-25-64	12733	SL		
B	-	175, 42, 43, 44 CALLOUTS ADDED. IT, 27 WAS IGTRQ PX100-1, 176, 42, 43, 44 ADD.	7-21-64	11907	ASB		
A	-	23, 24 REQUIRED INFORMATION ADDED TO BUILD UP. 22, 25 ITEM (39) WAS FW06 HBN, DIM 36" WAS 46"	9-20-62	7348			

THIS SYMBOL DENOTES END OF INSULATION & NAIL DRIVING POINT. WIRE MUST BE STRIPPED 1/2" BEYOND THIS POINT & TINNED 3/8" UNLESS OTHERWISE SPECIFIED.

WIRES SHOULD BE PLACED IN CABLE IN NUMERICAL SEQUENCE AS THEY APPEAR IN ITEM COLUMN. SPACE LACING APPROX 3/4" APART.



NOTE: HFP-1 / HFA-1 / HFI-1 / HSP-2 INTERCONNECT.