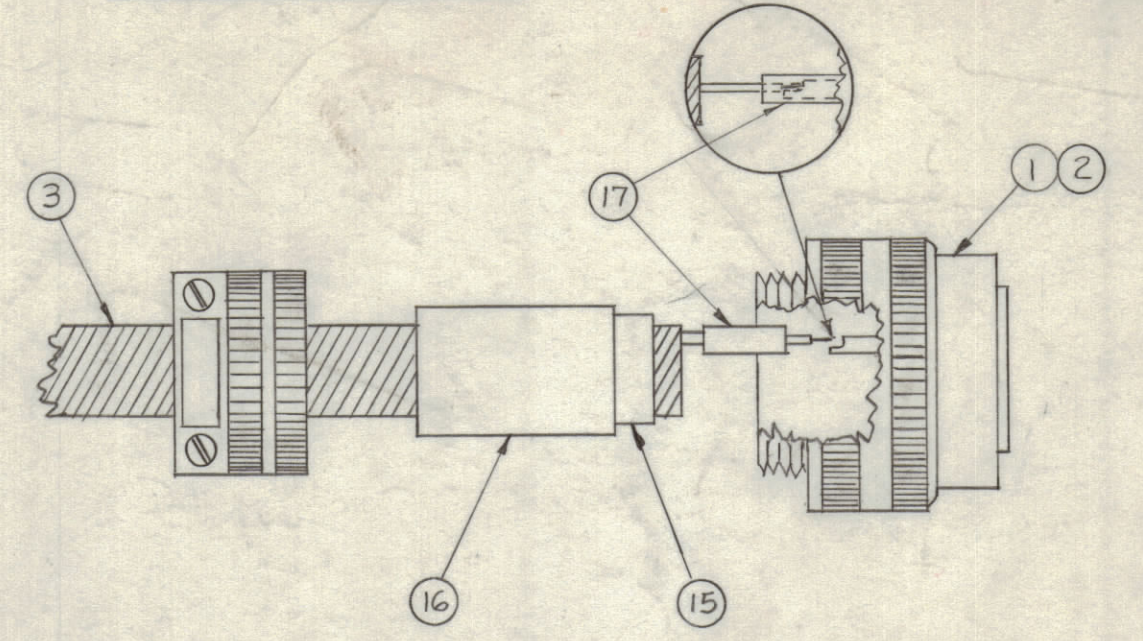


~ DETAIL OF WIRING ~

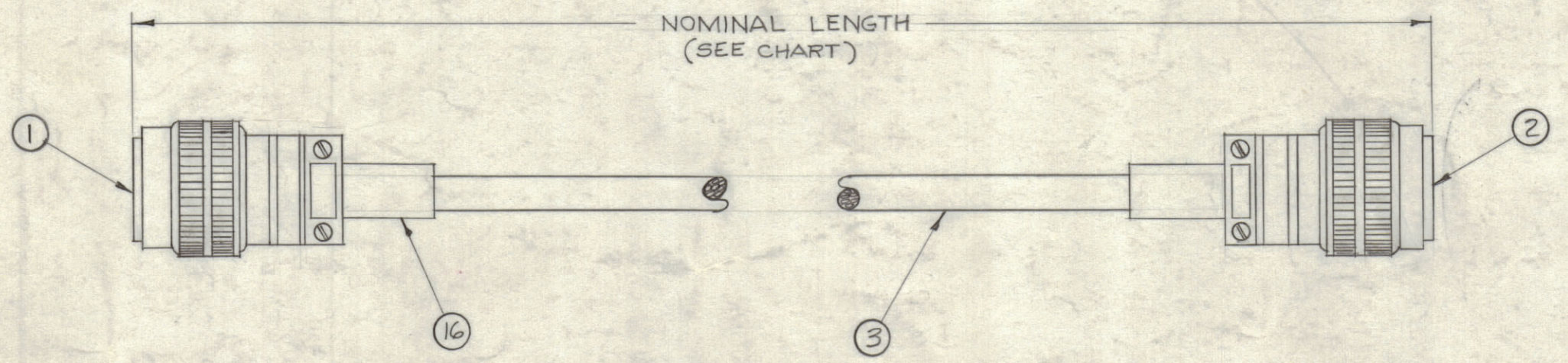
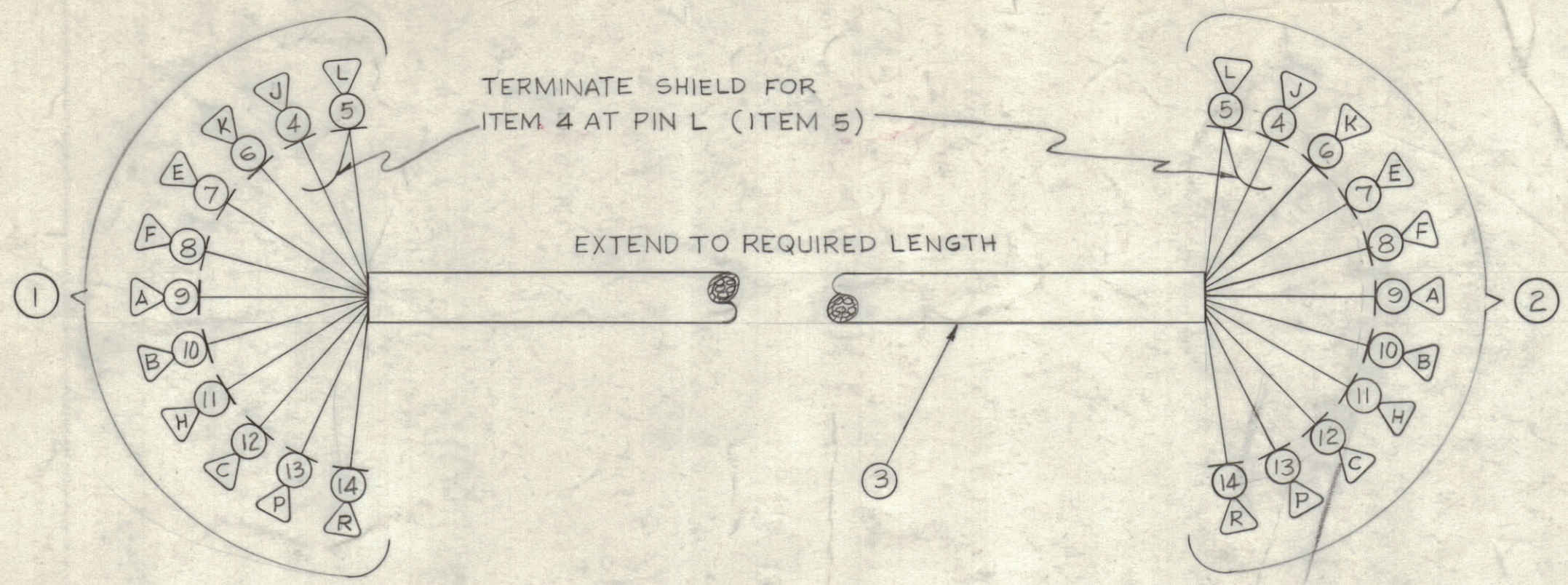
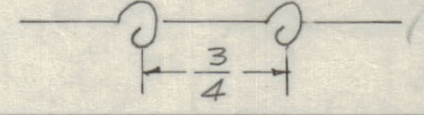


~ LEGEND ~

- ~ DENOTES ITEM NUMBER
- ▽ ~ DENOTES PIN CONNECTION
- — = — [hatched] — DENOTES END OF SHIELD
- END OF SHIELD
- NOTE: BUSHING SHOULD BE PUT ON PLUG SIDE BEFORE MOUNTING PLUG.

THIS SYMBOL DENOTES END OF INSULATION & NAIL DRIVING POINT. WIRE MUST BE STRIPPED 1/2" BEYOND THIS POINT & TINNED 3/8" UNLESS OTHERWISE SPECIFIED.

WIRES SHOULD BE PLACED IN CABLE IN NUMERICAL SEQUENCE AS THEY APPEAR IN ITEM COLUMN. SPACE LACING APPROX. 3/4" APART



TMC PART NUMBER	NOMINAL LENGTH IN INCHES	TMC PART NO. FOR ITEM ③	COLOR OF ITEM 3
CA-687-1	76	PX-100-4-.375	YELLOW
CA-687-2	81	PX-100-3-.375	ORANGE
CA-687-3		PX-100-4-.375	YELLOW
CA-687-4		PX-100-3-.375	ORANGE

NOTICE TO PERSONS RECEIVING THIS DRAWING

THE TECHNICAL MATERIEL CORPORATION claims proprietary right in the material disclosed hereon. This drawing is issued in confidence for engineering information only and may not be reproduced or used to manufacture anything shown hereon without permission from THE TECHNICAL MATERIEL CORPORATION to the user. This drawing is loaned for mutual assistance and is subject to recall at any time.

Property of:
THE TECHNICAL MATERIEL CORPORATION
MAMARONECK, NEW YORK

REQ. ITEM	PART NO.	DESCRIPTION	SYMBOL
X 18	CD-101-1-MW	CORD, LACING	BLACK
22 17	PX-100-1-.095	INSULATION, SLEEVING	BLACK
2 16	MS-3420-12A	BUSHING, CABLE, ADAPTER TELESCOPING	BLACK
2 15	MS-3420-8A	BUSHING, CABLE, ADAPTER TELESCOPING	BLACK
14	MWC 20(7)U9	CABLE, INSULATED	WHITE
13	MWC 20(7)U90		WH/BLK
12	MWC 20(7)U6		BLUE
11	MWC 20(7)U7		VIOLET
10	MWC 20(7)U98		WH/GREY
9	MWC 20(7)U8		GREY
8	MWC 16(9)U91		WH/BRN
7	MWC 16(9)U1		BROWN
6	MWC 22(7)U2		RED
5	MWC 20(7)U0	CABLE, INSULATED	BLACK
4	MWC 22(7)5J5	CABLE, INSULATED, SHIELDED/JACKET	GREEN
X 3	SEE CHART	INSULATION, SLEEVING	
1 2	PL-212-2	CONNECTOR, PLUG (14 PIN, FEMALE)	
1 1	PL-212-1	CONNECTOR, PLUG (14 PIN MALE)	

SYM	ZONE	DESCRIPTION	DATE	CH. NO.	DRAFTS	CHECKER	ENG. APP.
C	#	IT. (7) WAS MWC 22(7) 85	11-25-64	12733	22		
B	DB	CA-687-2 LENGTH WAS 76"	11-2-62	7589	ED		
A	DZ	ITEM (16) ADDED, ITEM (17) WAS PX-100-1	9-20-62	7348	ES		

UNLESS OTHERWISE SPECIFIED:
DIMENSIONS ARE IN INCHES
TOLERANCES ON FRACTIONS ± 1/64 DECIMALS ± .005 ANGLES ± 1/2°

MAXIMUM ALLOWABLE TOLERANCES HAVE BEEN DETERMINED AND ANY DEVIATIONS WILL BE CAUSE FOR REJECTION. REMOVE ALL BURRS & SHARP EDGES

REQ. PER UNIT	MODEL	SECTION	ASS'Y. NO.	DATE
4	RAK-22A(1)			5-4-62

STOCK SIZE	MATERIAL	TYPE & TEMPER	HEAT TREAT. SPEC.	FINISH & SPEC. NO.

THE TECHNICAL MATERIEL CORP. MAMARONECK, NEW YORK		
CABLE ASS'Y; SPECIAL PURPOSE, ELECTRICAL		
W.S.	H.C.	BP
DRAWN	CHECKED	FINAL APPROVAL
RK	RK	CA-687 C
ELEC. DES. APP.	MECH. DES. APP.	SHEET OF