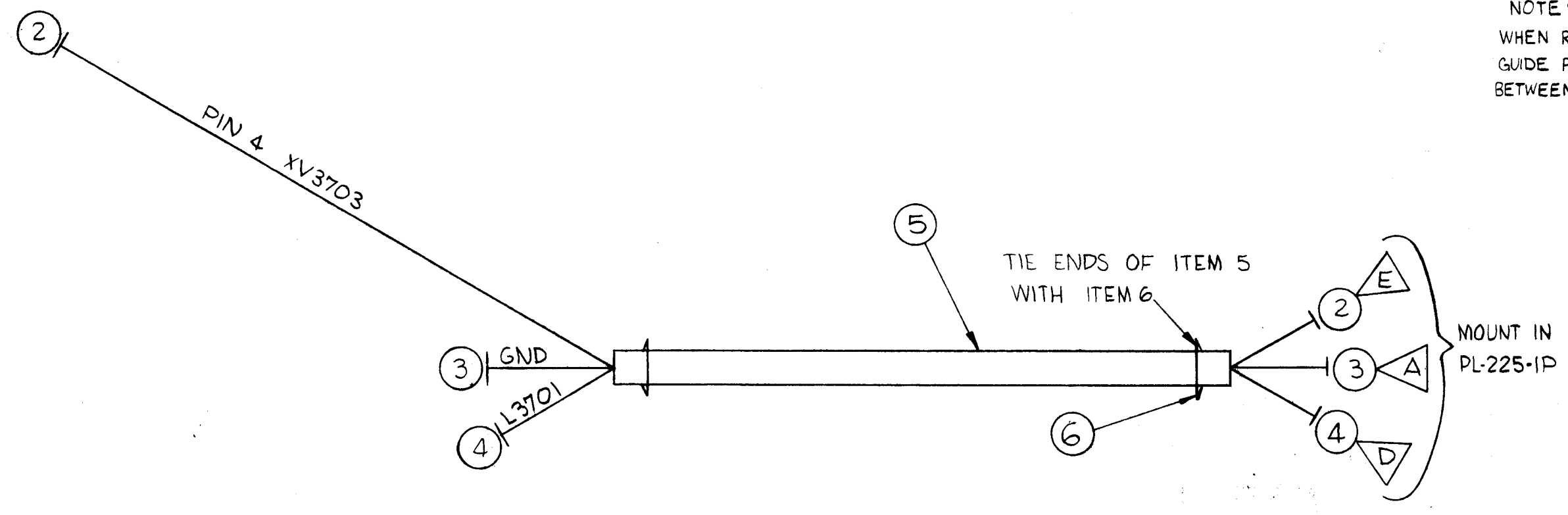
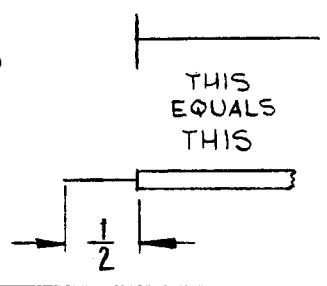


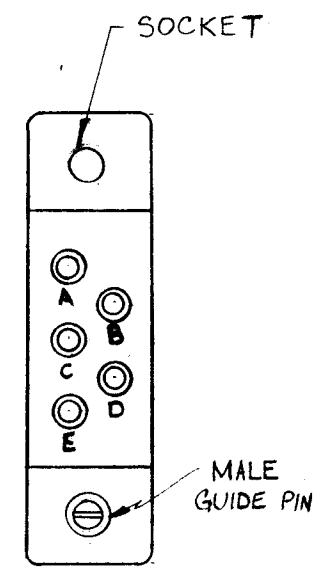
CA-651

THE CONTENTS OF THIS DRAWING ARE THE EXCLUSIVE PROPERTY OF THE TECHNICAL MATERIEL CORP. ITS UNAUTHORIZED USE OR REPRODUCTION IN WHOLE OR IN PART IS STRICTLY FORBIDDEN.

THIS SYMBOL DENOTES END OF INSULATION & NAIL DRIVING POINT WIRE MUST BE STRIPPED 1/2" BEYOND THIS POINT & TINNED 3/8" UNLESS OTHERWISE SPECIFIED.



NOTE:
WHEN RE-ASSEMBLING, MALE GUIDE PIN IS TO BE LOCATED BETWEEN PINS "D" & "E".



PIN DETAIL OF ITEM 1 (TOP VIEW)

NOTICE TO PERSONS RECEIVING THIS DRAWING

THE TECHNICAL MATERIEL CORPORATION claims proprietary right in the material disclosed hereon. This drawing is issued in confidence for engineering information only and may not be reproduced or used to manufacture anything shown hereon without permission from THE TECHNICAL MATERIEL CORPORATION to the user. This drawing is loaned for mutual assistance and is subject to recall at any time.

Property of:
THE TECHNICAL MATERIEL CORPORATION
MAMARONECK, NEW YORK

SYMBOL NOTES

- DENOTES ITEM NO'S.
- △ DENOTES PIN NO'S.

X	7	BS-100	SOLDER, SOFT	
X	6	CD-101-MW	CORD LACING	BLACK
4 7/8	5	PX-100-1-187	SLEEVING, INSULATION	BLACK
7 7/8	4	MWC24(7)U2	CABLE, INSULATED	RED
7 7/8	3	MWC24(7)U0	CABLE, INSULATED	BLACK
11 5/8	2	MWC24(7)U1	CABLE, INSULATED	BROWN
1	1	PL-225-IP	PLUG, MALE 5 PIN	P3701
REQ. ITEM	PART NO.		STRUMER DESCRIPTION	SYMBOL

THE TECHNICAL MATERIEL CORP. MAMARONECK, NEW YORK			
CABLE, ASSY ELECTRICAL (INTERCONNECT)			
STOCK SIZE		MATERIAL	
TYPE & TEMPER	HEAT TREAT. SPEC.	DRAWN	CHECKED
FINISH & SPEC. NO.		ELEC. DES. APP.	MECH. DES. APP.

Handwritten signatures and initials are present in the 'DRAWN', 'CHECKED', and 'FINAL APPROVAL' fields.

SYM	DESCRIPTION	DATE	CH. NO.	DRAFTS	CHECKER	ENG. APP.
UNLESS OTHERWISE SPECIFIED:						
DIMENSIONS ARE IN INCHES		SCALE:				
TOLERANCES ON FRACTIONS ± 1/64		MAXIMUM ALLOWABLE TOLERANCES HAVE BEEN DETERMINED AND ANY DEVIATIONS WILL BE CAUSE FOR REJECTION.				
DECIMALS ± .005		REMOVE ALL BURRS AND SHARP EDGES				
ANGLES ± 1/2°						
1	HFS-1					
REQ. PER UNIT	MODEL	SECTION	ASS'Y. NO.	DATE		
USED ON						