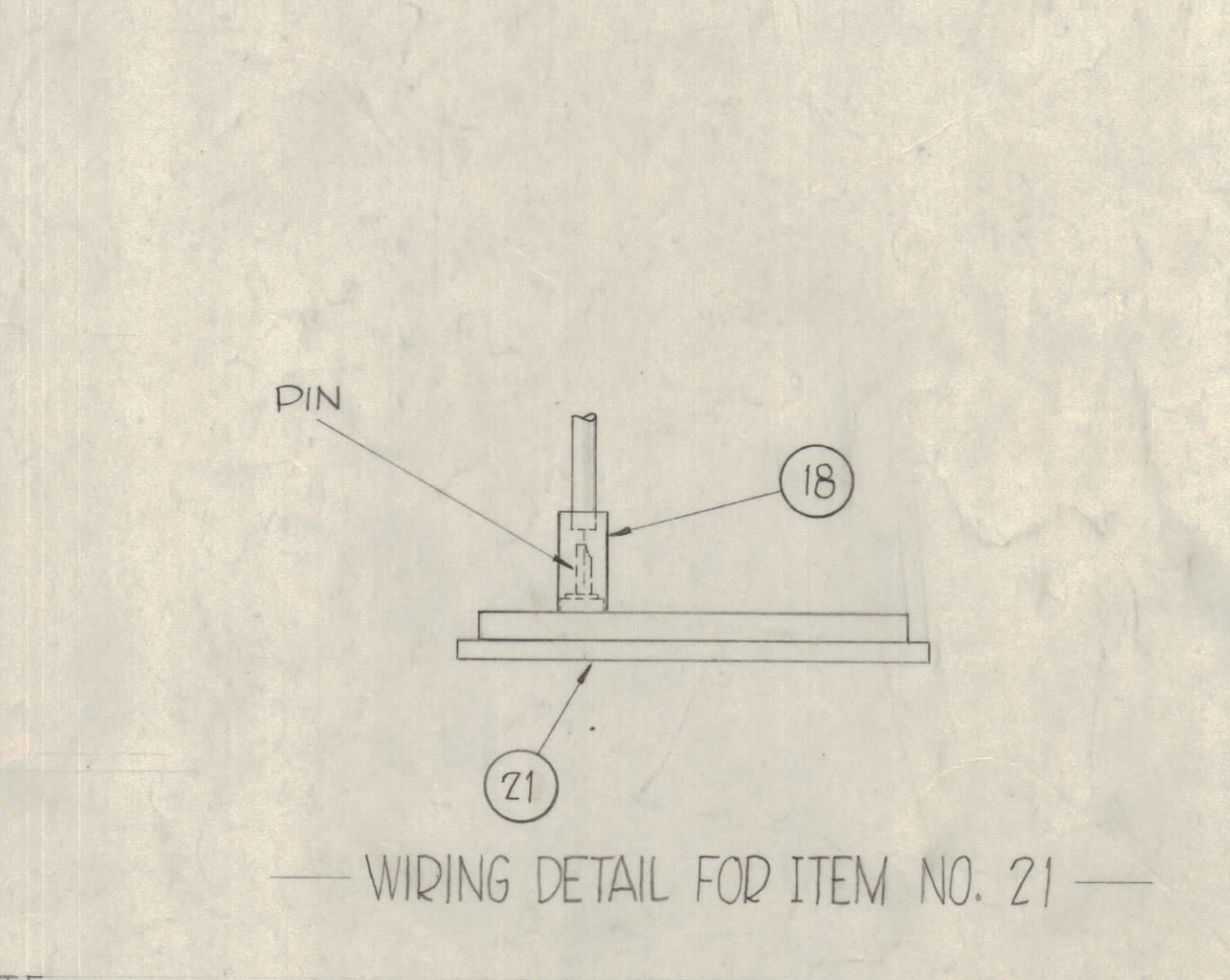
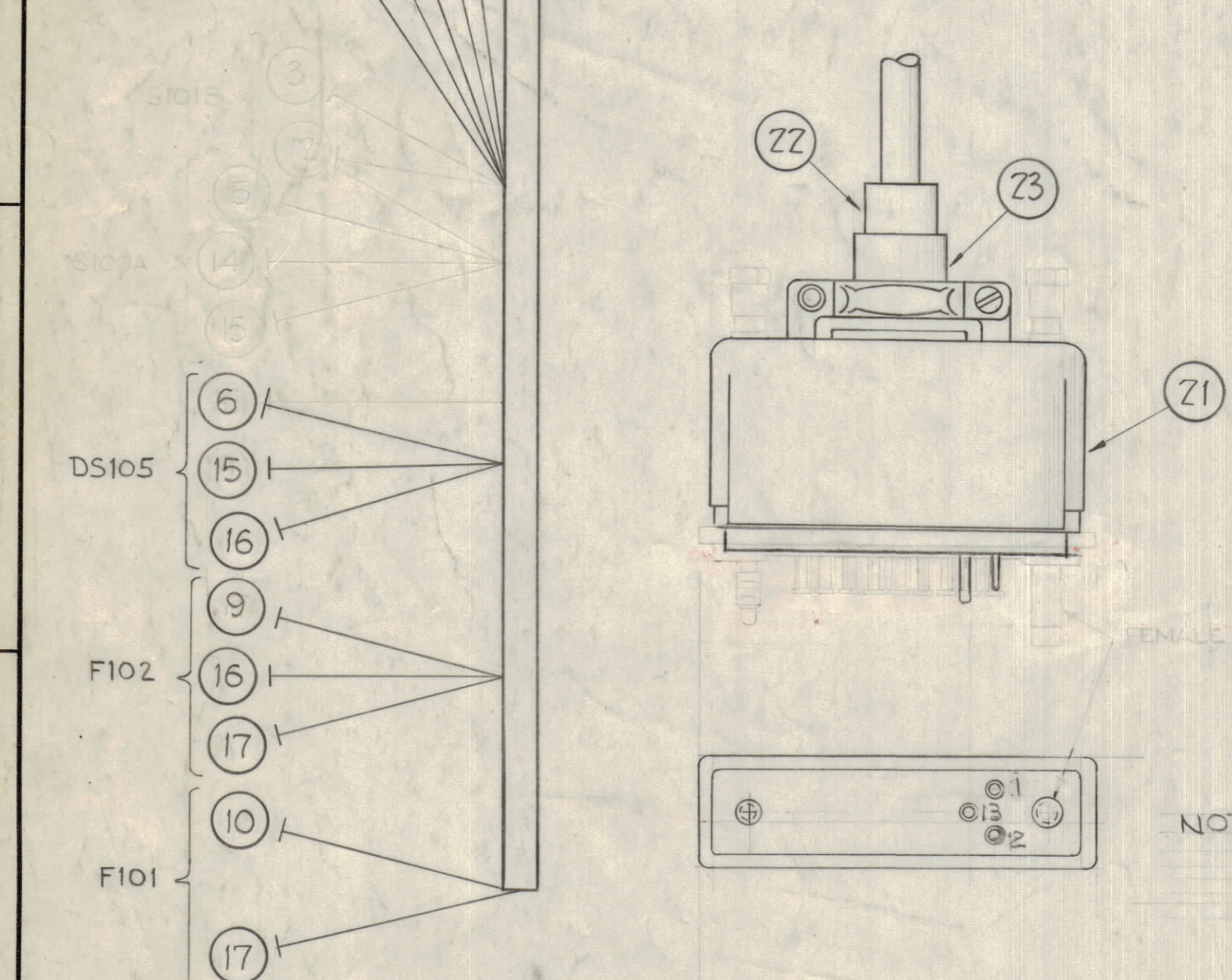
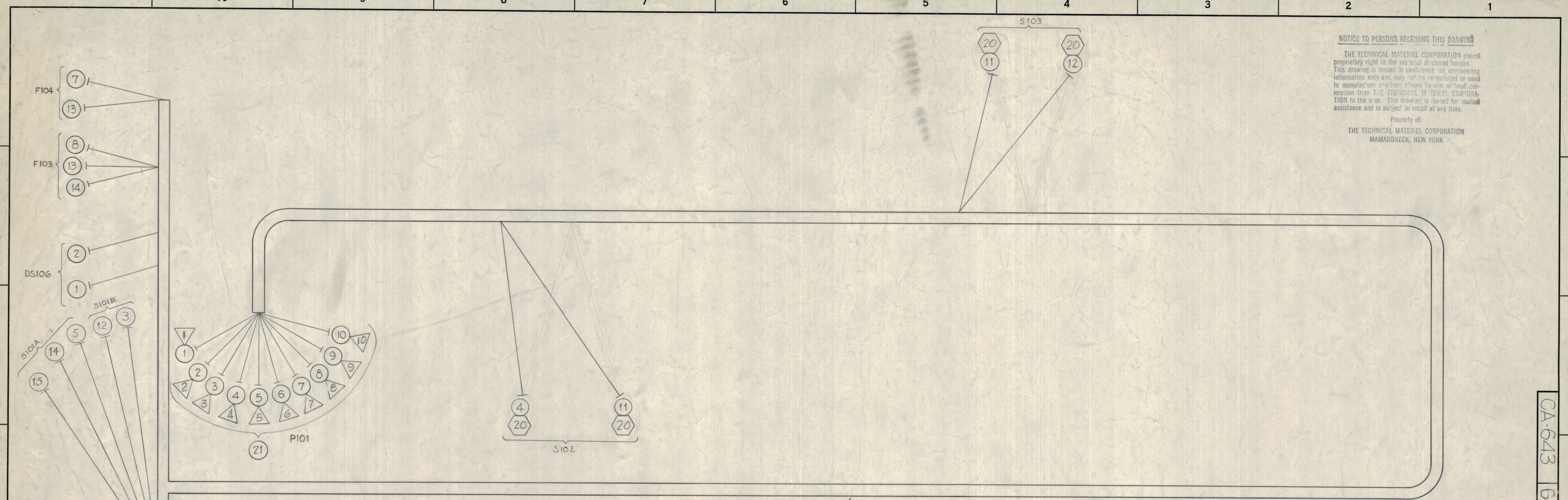


NOTICE TO PERSONS RECEIVING THIS DRAWING
 THE TECHNICAL MATERIEL CORPORATION claims proprietary right in the material disclosed hereon. This drawing is issued in confidence for engineering information only and may not be reproduced or used to manufacture anything shown hereon without permission from THE TECHNICAL MATERIEL CORPORATION to the user. This drawing is loaned for mutual assistance and is subject to recall at any time.
 Property of:
 THE TECHNICAL MATERIEL CORPORATION
 MAMARONECK, NEW YORK



25	BS-100	SOLDER, SOFT	
24	CD101-1-MW	CORD, LACING	
1	Z3 MS-3420-10A	BUSHING, CABLE, 9/16 I.D.	
1	Z2 MS-3420-8A	BUSHING, CABLE, 7/16 I.D.	
1	Z1 PL 228-2P	CONNECTOR, PLUG, 15 PIN	
4	Z0 TE 120-2	LUG, SPADE TYPE	
19	PX-370-43-7	INSULATION, SLEEVING TEFLON	NATURAL
18	PX100-1-.085	INSULATION, SLEEVING	Black
17	MWC18(16) 92	WIRING, ELECTRICAL INSULATED	White Red White Red White Red Yellow
16		92	White Red
15		92	White Red
14		92	White Red
13		92	White Red
12		4	Yellow
11		4	White Brown
10		91	White Green
9		9	White Green
8		95	Violet
7		7	Blue
6		6	Green
5		5	Yellow
4		4	Orange
3		3	Red
2		2	Brown
1	MWC18(16)	WIRE, ELECTRICAL INSULATED	Brown

G	ITEM 21 WAS PL 225-4P	11-13-91		GDL	
F	ITEMS 1 THRU WERE CABLE INSCIL FIBERGLAS	2-27-61	1963	GDL	PL 225
E	IT-13 SYMBOL WAS BLACK	7-6-64	11672	KB	@
D	ITEMS 1 THRU 17 WERE MWC18(16) B	9/25/63	10016	KB	PL 225
C	ASSEMBLY NOTE & BOTTOM VIEW ADDED FOR ITEM (21)	2-27-63	6379	KB	PL 225
B	ITEM 21 WAS PL-211 (12 PIN)	7-30-62	6711	G.S.	PL 225
A	ITEM 21 WAS PL-211 (12 PIN)	2-16-62	6372	G.S.	PL 225

UNLESS OTHERWISE SPECIFIED:
 DIMENSIONS ARE IN INCHES
 TOLERANCES ON
 FRACTIONS ± 1/64 DECIMALS ± .005 ANGLES ± 1/2°
 SCALE DO NOT SCALE
 MAXIMUM ALLOWABLE TOLERANCES HAVE BEEN DETERMINED AND ANY DEVIATIONS WILL BE CAUSE FOR REJECTION. REMOVE ALL BURRS & SHARP EDGES

1	REQ. PER UNIT	MODEL	SECTION	ASSY. NO.	DATE	TYPE & TEMPER	HEAT TREAT. SPEC.
1		TEQ 25K/60			9-20-61		

THE TECHNICAL MATERIEL CORP. MAMARONECK, NEW YORK			
CABLE, MAIN			
John C. Biele	Checked	Final Approval	
aa		CA-643	G

CA-643 G

WIRE ELECTR. INSULATED