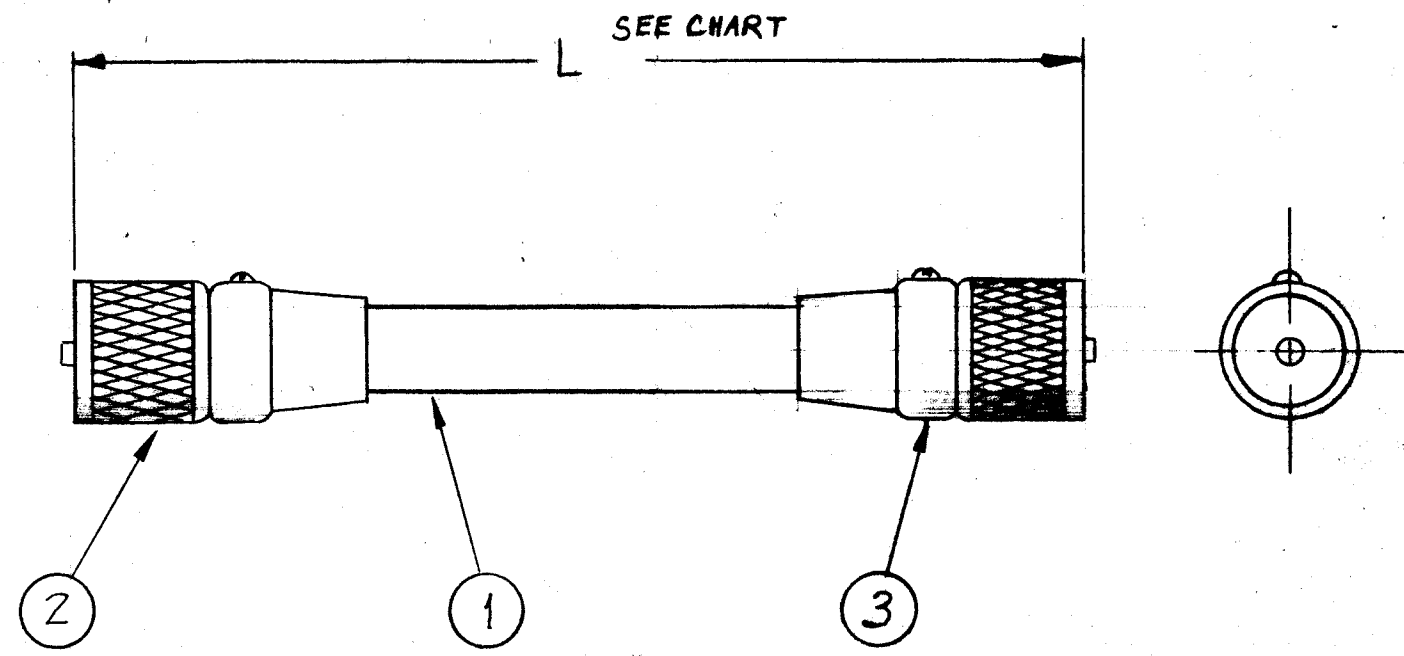


CA-512

ITEM	TYPE	PL	TEF	LENGTH	REPLACED BY
CA-512-1	RG-8/U	PL259A-TEF	PL259A-TEF	5-1/4"	CA480-31-5,25
CA-512-2	RG-8/U	PL-149	PL259A-TEF	28"	RAK-9 CA480-139-23
CA-512-3					
CA-512-4	RG-8/U	UG-59/U	UG-59/U	15 Feet	CA480-36-15F
CA-512-5	RG-8/U	UG-59/U	PL259A-TEF	42"	RAK-19B CA480-120-42
CA-512-6	RG-8/U	PL-149	PL259A-TEF	36"	RAK-19A CA480-139-36
CA-512-7	RG-8/U	UG-59/U	PL259A-TEF	42"	RAK-19D CA480-120-42



**OBSOLETE
SUPERSEDED
DIRECTLY REPLACED BY CA480.**

NOTICE TO PERSONS RECEIVING THIS DRAWING

THE TECHNICAL MATERIEL CORPORATION claims proprietary right in the material disclosed hereon. This drawing is issued in confidence for engineering information only and may not be reproduced or used to manufacture anything shown hereon without permission from THE TECHNICAL MATERIEL CORPORATION to the user. This drawing is loaned for mutual assistance and is subject to recall at any time.

Property of:
THE TECHNICAL MATERIEL CORPORATION
MAMARONECK, NEW YORK

ISSUE	ITEM	CHANGED FROM	DATE	CH. NO.	DRAFTS	CHECKER	ENG. APP.
H		OBS. NOTE & CA480 REF. ADDED	4-21-67	18134			RH
G		DELE QTY 1 IT 1. CHG'D PL259 TO PL259A-TEF	12-21-66	17512	RME		
F	1	ON CA-512-7, ITEM 3 WAS RI-259	4-8-63	8731			
E	1	CA-512-5, LENGTH WAS 32"	3-7-63	8433			
D	1	CA-512-7 ADDED	1-9-63	7978			
C	1	NON-SPECIFIED CABLE	2-16-61	4192	RU		
B	1	CA-512 MADE INTO A FAMILY DWG.	12-22-60	3732			
A	1	Cable length was 13 1/2'	9-16-60	2992	J.C.B.		

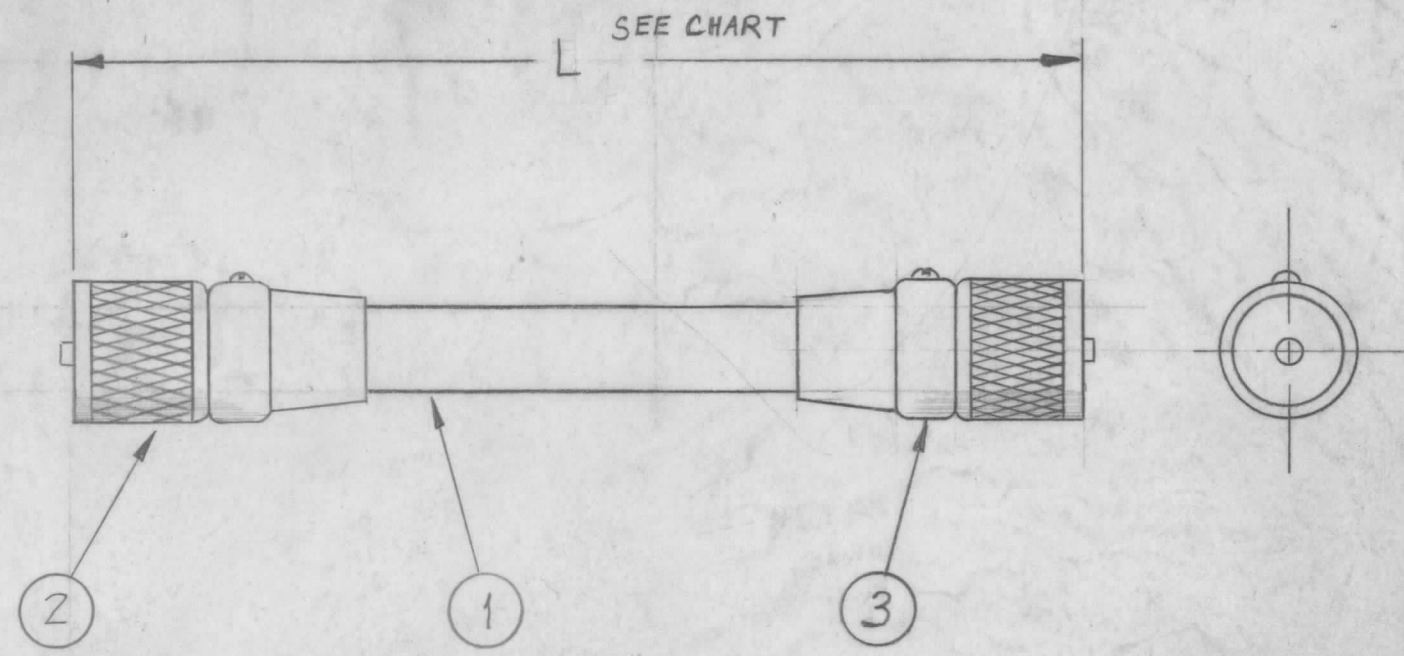
TOLERANCES		SCALE:	
DEC. DIM. ±		MAXIMUM ALLOWABLE TOLERANCES HAVE BEEN DETERMINED AND ANY DEVIATIONS WILL BE CAUSE FOR REJECTION. REMOVE ALL BURRS AND SHARP EDGES	
FRAC. DIM. ±			
ANGULAR DIM. ±			

REQ. PER UNIT	1	MODEL	RAK-9	PROJECT NO.		ASSY. NO.		DATE	12-21-67
USED ON									

REQ. ITEM	QTY	PART NO.	DESCRIPTION	SYMBOL
1	3	SEE CHART	CONNECTOR, R.F.	
1	3	SEE CHART	CONNECTOR, R.F.	
1	1	SEE CHART	CABLE, RG-8/U	
THE TECHNICAL MATERIEL CORP. MAMARONECK, NEW YORK.				
STOCK NO.				
MATERIAL				
TYPE & TEMPER. HEAT TREAT.				
FINISH & SPEC. NO.				

CA-512-H

TMC PART #	ITEM 1	ITEM 2	ITEM 3	LENGTH	USED ON	REPLACED BY
CA-512-1	RG-8/U	PL259A-TEF	PL259A-TEF	5-1/4"		CA480-31-5,25
CA-512-2	RG-8/U	PL-149	PL259A-TEF	23"	RAK-9	CA480-139-23
CA-512-3						
CA-512-4	RG-8/U	UG-59/U	UG-59/U	15 Feet		CA480-36-15F
CA-512-5	RG-8/U	UG-59/U	PL259A-TEF	42"	RAK-19B	CA480-120-42
CA-512-6	RG-8/U	PL-149	PL259A-TEF	36"	RAK-19A	CA480-139-36
CA-512-7	RG-8/U	UG-59/U	PL259A-TEF	42"	RAK-19D	CA480-120-42



**OBSOLETE
SUPERSEDED**
DIRECTLY REPLACED BY CA480.

NOTICE TO PERSONS RECEIVING THIS DRAWING

THE TECHNICAL MATERIEL CORPORATION claims proprietary right in the material disclosed hereon. This drawing is issued in confidence for engineering information only and may not be reproduced or used to manufacture anything shown hereon without permission from THE TECHNICAL MATERIEL CORPORATION to the user. This drawing is loaned for mutual assistance and is subject to recall at any time.

Property of:
THE TECHNICAL MATERIEL CORPORATION
MAMARONECK, NEW YORK

ISSUE	ITEM	CHANGED FROM	DATE	CH. NO.	DRAFTS	CHECKER	ENG. APP.
H		OBS. NOTE & CA480 REF. ADDED	4-21-67	18134			RH
G		DELE QTY 1 IT 1. CHG'D PL259 TO PL259A-TEF	12-21-66	17512	RME	OCB	
F	1	ON CA-512-7, ITEM 3 WAS PL-259	4-8-63	8731	RC		
E	1	CA-512-5, LENGTH WAS 32"	3-7-63	8433			
D	1	CA-512-7 ADDED	1-9-63	7978			
C	2	NOMENCLATURE deleted	2-16-61	4192	RU	OCB	RL
	1	CA-512-566 Added					
B	1	CA-512 MADE INTO A FAMILY DWG.	12-22-60	3732	AWA	OCB	RL
A	1	Cable length was 13 1/2"	9-16-60	2992	J.C.B.		AMP

TOLERANCES		SCALE:	
DEC. DIM. ±		MAXIMUM ALLOWABLE TOLERANCES HAVE BEEN DETERMINED AND ANY DEVIATIONS WILL BE CAUSE FOR REJECTION:	
FRAC. DIM. ±		REMOVE ALL BURRS AND SHARP EDGES	
ANGULAR DIM. ±			

1	RAK-9			12-21-59
REQ. PER UNIT	MODEL	PROJECT NO.	ASSY. NO.	DATE
USED ON				

1	3	SEE CHART	CONNECTOR, R.F.	
1	2	SEE CHART	CONNECTOR, R.F.	
1	1	SEE CHART	CABLE, R.F.	
REQ. ITEM	PART NO.	DESCRIPTION		SYMBOL
THE TECHNICAL MATERIEL CORP. MAMARONECK, NEW YORK				
STOCK SIZE				
CABLE, ANTENNA TO RELAY				
MATERIAL				
RG-8/U				
TYPE & TEMPER		HEATTREAT. SPEC.	DRAWN	CHECKED
			10/11/59	P.A.
FINISH & SPEC. NO.		ELEC. DES. APP.	MECH. DES. APP.	
				CA-512 H