

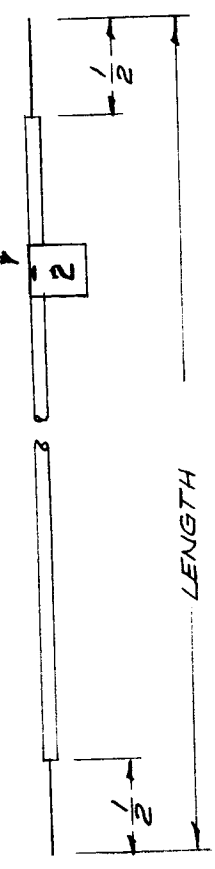
CA-401

REQ. PER UNIT	USED ON
RSC-2 Mod.	ASSY. NO.
	DATE

Note - For two color wires, use white (code 9) as the first digit, and follow it with any other digit.
 EXAMPLES:
 92 = white/red
 95 = white/green

CODE	COLOR
0	Black
1	Brown
2	Red
3	Orange
4	Yellow
5	Green
6	Blue
7	Violet
8	Grey
9	White

Strip & Tin Both Ends as Shown.
 Number As per Part No. Below



Type Designation to be in the following form:

CA-401-2-5-6.5

TMC DNG NO.	COLOR DESIRED see Chart	MARKER NUMBER OR LETTER DESIRED	LENGTH IN INCHES to the Nearest 1/2 inch.
-------------	-------------------------	---------------------------------	---

EXAMPLE: CA-401-6-2-4 = A Cable, Insulated, Color-Blue, with a marker No. 4, and a 4" Total Length, stripped & tinned 1/2" each end

REQ. ITEM	PART NO.	DESCRIPTION	SYMBOL
X 2	LA-101	Marker, Wire (Use Any Number)	
X 1	MWC22(7)U X	Cable, Insulated (Use Any Color As Required)	
STOCK SIZE		THE TECHNICAL MATERIEL CORP. MAMARONECK, NEW YORK	
MATERIAL		CABLE ASS'Y, NO. 22, W/MARKER	
TYPE & TEMPER	HEAT TREAT. SPEC.	DRAWN	CHECKED
		16/12/58	JDE
FINISH & SPEC. NO.		FINAL APPROVAL	
		CA-401	

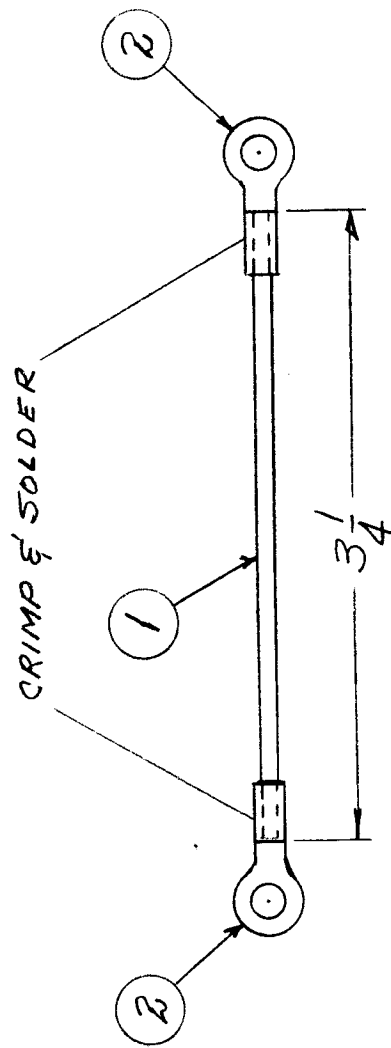
SCALE:
 MAXIMUM ALLOWABLE TOLERANCES HAVE BEEN DETERMINED AND ANY DEVIATIONS WILL BE CAUSE FOR REJECTION.
 REMOVE ALL BURRS AND SHARP EDGES

DEC. DIM. ±
 FRAC. DIM. ±
 ANGULAR DIM. ±

TMC No.	COLOR	ITEM - 1 PART No.	FROM	TO
CA-404-1	WH/BLACK	MWC(12)(19)B90	V606 PIN F	V607 PIN F
CA-404-2	WHITE	MWC(12)(19)B9	V606 PIN F	V607 PIN F

REQ. PER UNIT	MODEL	DATE
1 ea.	RTP-2	10-29-58

USED ON ASSY. NO.	DATE
CA-404	10-29-58



LENGTH ALLOWS $\frac{3}{8}$ EACH END FOR STRIPPING

X 3	BS-100	SOLDER, SOFT	SYMBOL
R 2	TE-141-3	LUG	
X 1	SEE CHART	CABLE INSULATED, FIBERGLASS	
REQ. ITEM	PART NO.	DESCRIPTION	
	STOCK SIZE	THE TECHNICAL MATERIEL CORP. MAMARONECK. NEW YORK	
	MATERIAL	CABLE ASS'Y, FILAMENT, JUMPER, HV RECT. RTP-2	
	TYPE & TEMPER	10-29-58	
	HEAT TREAT. SPEC.	CHEKED	
	FINISH & SPEC. NO.	MECH. DES. APP.	
		ELEC. DES. APP.	

ISSUE ITEM	CHANGED FROM	DATE	CH. NO.	DRAFTS	CHECKER	ENG. APP.
A 2	ON CHART: CA-404-1 ITEM (1)	25-83	18			
A 1	ON CHART: CA-404-2 ITEM (1)	25-63				

TOLERANCES
 DEC. DIM. ±
 FRAC. DIM. ±
 ANGULAR DIM. ±

MAXIMUM ALLOWABLE TOLERANCES HAVE BEEN DETERMINED AND ANY DEVIATIONS WILL BE CAUSE FOR REJECTION.
 REMOVE ALL BURRS AND SHARP EDGES

CA-409-66

USED ON
ASSY. NO.

MODEL

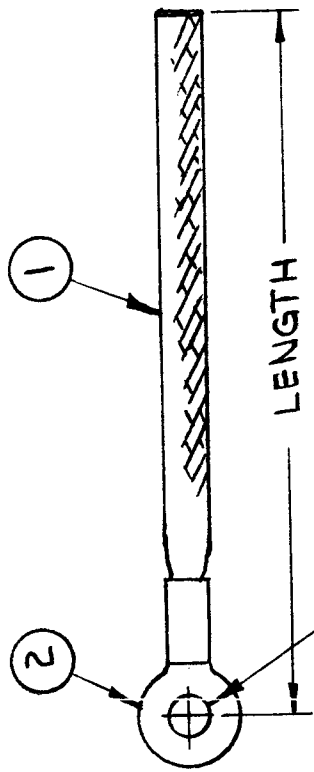
REQ. PER UNIT

DATE

TYPE DESIGNATION TO BE IN FOLLOWING FORM

CA-409-66-0.00

BASIC TMC PART NO. LENGTH DESIRED IN INCHES



CLEARANCE HOLE FOR # 1/4 SCREW

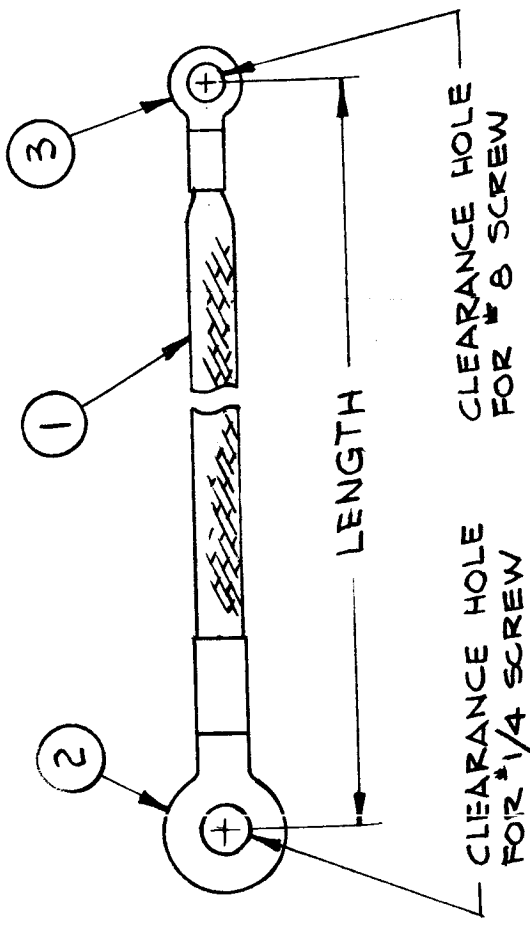
1	2	TE-141-4	TERMINAL, LUG	SYMBOL
	1	WL-103-4	BRAID, WIRE, FLAT, 1/4	
REQ. ITEM	PART NO.	DESCRIPTION		
		THE TECHNICAL MATERIEL CORP. MAMARONECK, NEW YORK		
		LEAD, ELECTRICAL		
		STOCK SIZE		
		MATERIAL		
		TYPE & TEMPER	CHECKED	FINAL APPROVAL
		HEAT TREAT. SPEC.	DRAWN	
		FINISH & SPEC. NO.	ELEC. DES. APP.	MECH. DES. APP.
		SCALE	NONE	
		DATE	CH. NO.	DRAFTS
		DESCRIPTION	CHECKER	ENG. APP.
		UNLESS OTHERWISE SPECIFIED DIMENSIONS ARE IN INCHES AND INCLUDE CHEMICALLY APPLIED OR PLATED FINISHES		
		TOLERANCES	FRACTIONS	CODE
		.X ± .05	± 1/64	
		.XX ± .01	ANGLES	
		.XXX ± .005	± 0° 30'	

7/31/63
8/1/63
CA-409-66

REQ. PER UNIT	MODEL	USED ON	CA-409-67
		ASSY. NO.	
		DATE	

TYPE DESIGNATION TO BE IN FOLLOWING FORM

BASIC TMC PART NO. CA-409-67 - 0.00 LENGTH DESIRED IN INCHES

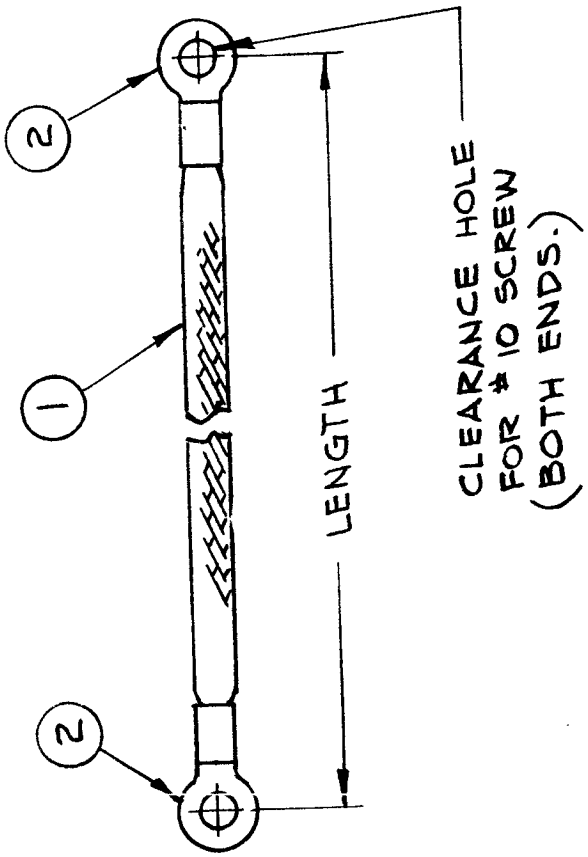


REQ. ITEM	PART NO.	DESCRIPTION	SYMBOL
1	3 TE-141-2	TERMINAL, LUG	
1	2 TE-141-4	TERMINAL, LUG	
1	1 WL-103-5	BRAID, WIRE, FLAT, 1/4	
STOCK SIZE		THE TECHNICAL MATERIEL CORP. MAMARONECK. NEW YORK	
MATERIAL		LEAD, ELECTRICAL	
DATE	CH. NO.	DRAFTS	CHECKER
SCALE	NONE		
DESCRIPTION	UNLESS OTHERWISE SPECIFIED DIMENSIONS ARE IN INCHES AND INCLUDE CHEMICALLY APPLIED OR PLATED FINISHES		
TOLERANCES	FRACTIONS ± 1/64 ANGLES ± 0° 30' DECIMALS .XX ± .01 .XXX ± .005		
TYPE & TEMPER	HEAT TREAT. SPEC.	DRAWN	CHECKED
		JPS	7/5/63
FINISH & SPEC. NO.	ELEC. DES. APP.	MECH. DES. APP.	FINAL APPROVAL
			7/1/63
			CA-409-67

REQ. PER UNIT	MODEL	USED ON	CA-409-69
		ASSY. NO.	
		DATE	

TYPE DESIGNATION TO BE IN FOLLOWING FORM

$\frac{CA-409-69}{\text{BASIC TMC PART NO.}}$ - $\frac{0.00}{\text{LENGTH DESIRED IN INCHES}}$



2	2	TE-141-3	TERMINAL LUG	SYMBOL
	1	WL-103-4	BRAID, WIRE, FLAT, 1/4	
REQ. ITEM	PART NO.	DESCRIPTION	THE TECHNICAL MATERIEL CORP. MAMARONECK. NEW YORK	
		STOCK SIZE	LEAD, ELECTRICAL	
		MATERIAL		
		TYPE & TEMPER	DRAWN	CHECKED
		HEAT TREAT. SPEC.	7/31/63	FINAL APPROVAL
		FINISH & SPEC. NO.	8/1/63	CA-409-69
		ELEC. DES. APP.		MECH. DES. APP.

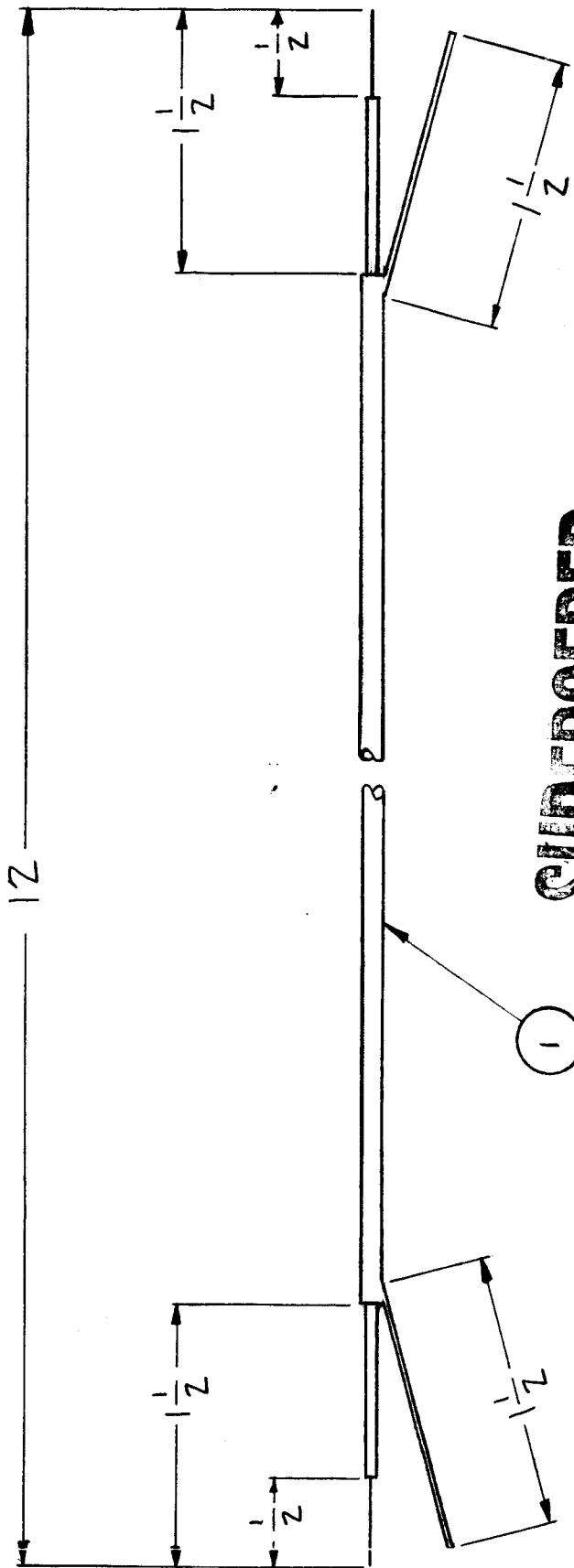
CA-473 A

USED ON
M DEL
GPR

ASSY. N.
1-26-59

DATE
1-26-59

REQ. PER UNIT
1



SUPERSEDED

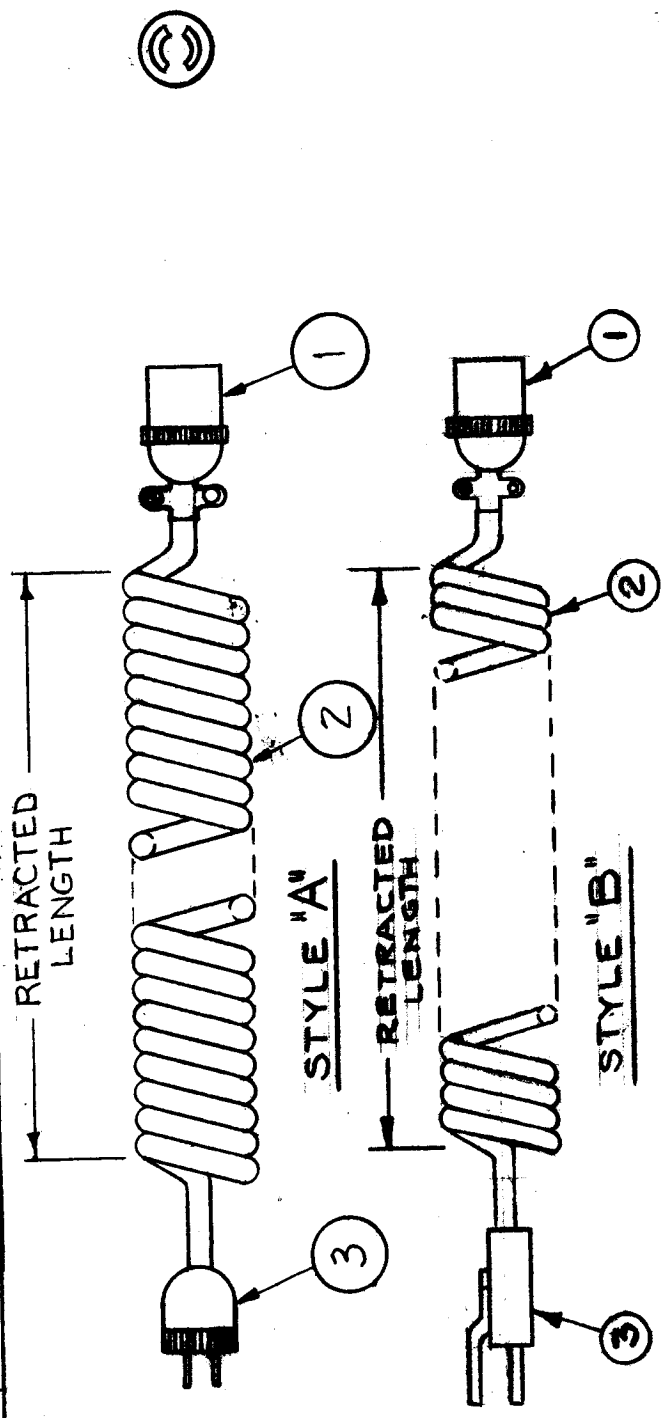
DIRECTLY REPLACED BY CA-418-11

REQ. ITEM	1	RG 174/U	CABLE, R.F. COAXIAL	SYMB L
DESCRIPTION	THE TECHNICAL MATERIEL CORP. MAMARONECK, NEW YORK			
STOCK SIZE	CABLE ASSEMBLY, 2 NO CONV. TO REAR T.B. G.P.R.			
MATERIAL	J.C. BIELE			
TYPE & TEMPER	HEAT TREAT. SPEC.	DRAWN	PACKED	FINAL APPR VAL
FINISH & SPEC. NO.	ELEC. DES. APPR. MECH. DES. APP			
ISSUE ITEM	A 1	REPLACED BY CA-418-11 REV. G (SIZE 2)	DATE 1/29/60	CH. NO. 10779
CHANGED FR M				
SCALE:	TOLERANCES MAXIMUM ALLOWABLE TOLERANCES HAVE BEEN DETERMINED AND ANY DEVIATIONS WILL BE CAUSE FOR REJECTION. REMOVE ALL BURRS AND SHARP EDGES			
DEC. DIM. ±				
FRAC. DIM. ±				
ANGULAR DIM. ±				
CHECKER	ENG. APP.			

CA-435 D

REV. ON
 ASST. NO. 4 - 2-59
 MODEL
 REG. PER. UNIT

PART NO.	ITEM - 2	RETRACTED LENGTH	ITEM 3	STYLE
CA-435-1	WI-134-2-12	1'-0"	PL171	A
CA-435-2	WI-134-1-15	1'-3"	PL171	A
CA-435-3	WI-134-2-7	7"	PL171	A
CA-435-4	WI-134-2-7	7"	PL218	B
CA-435-5	WI-134-2-12	1'-0"	PL218	B



SYMBOL	DESCRIPTION	CONNECTOR, PLUG
X 3	SEE CHART	CONNECTOR, PLUG
X 2	SEE CHART	POWER CORD, COILED
1 1	PL-100	CONN., PLUG, FEMALE, AC-2/C TWIST LOCK
REQ. ITEM	PART NO.	DESCRIPTION
		THE TECHNICAL MATERIEL CORP. MAMARONECK, NEW YORK
		CABLE ASSY, POWER, AC -2/C, COILED
		J.C. BIELE
		DRAWN
		CHECKED
		FINAL APPROVAL
		CA-435
		D

ISSUE ITEM	CHANGED FROM	DATE	CH. NO.	DRAFTS	CHECKER	ENG. APP.
D	CA 435-5 ADDED	7-22-66	16554	RME	OC	
C	RE-3 STYLE COIL. ADD. DIM. UPD. CA-435-4 ADD. STYLE 'B' AND	11-25-64	12998	JFO		
B	CA-435-3 ADDED	12-13-60	3713	MHE		
A	CA-435-2 Added	9/1/59		JFO		

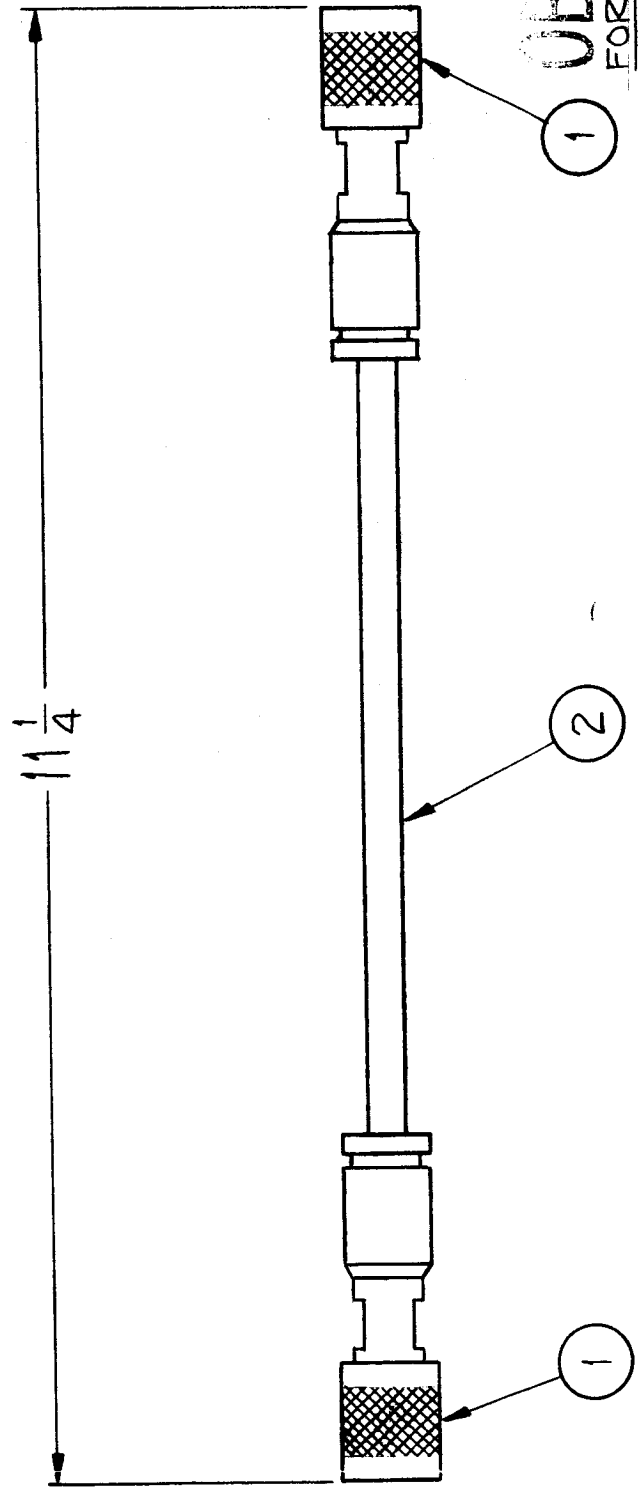
TYPE & TEMPER	HEAT TREAT. SPEC.	FINISH & SPEC. NO.

SCALE:

TOLERANCES
 MAXIMUM ALLOWABLE TOLERANCES HAVE BEEN DETERMINED AND ANY DEVIATIONS WILL BE CAUSE FOR REJECTION. REMOVE ALL BURRS AND SHARP EDGES

DEC. DIM. ±
 FRAG. DIM. ±
 ANGULAR DIM. ±

REQ. PER. UNIT	USED ON	DATE
	AX-186	4-1-59
MODEL	ABTY. NO.	
GPT-10K	AX-186	
CA-437 C		



1 OBSOLETE
FOR SPARE PARTS ONLY

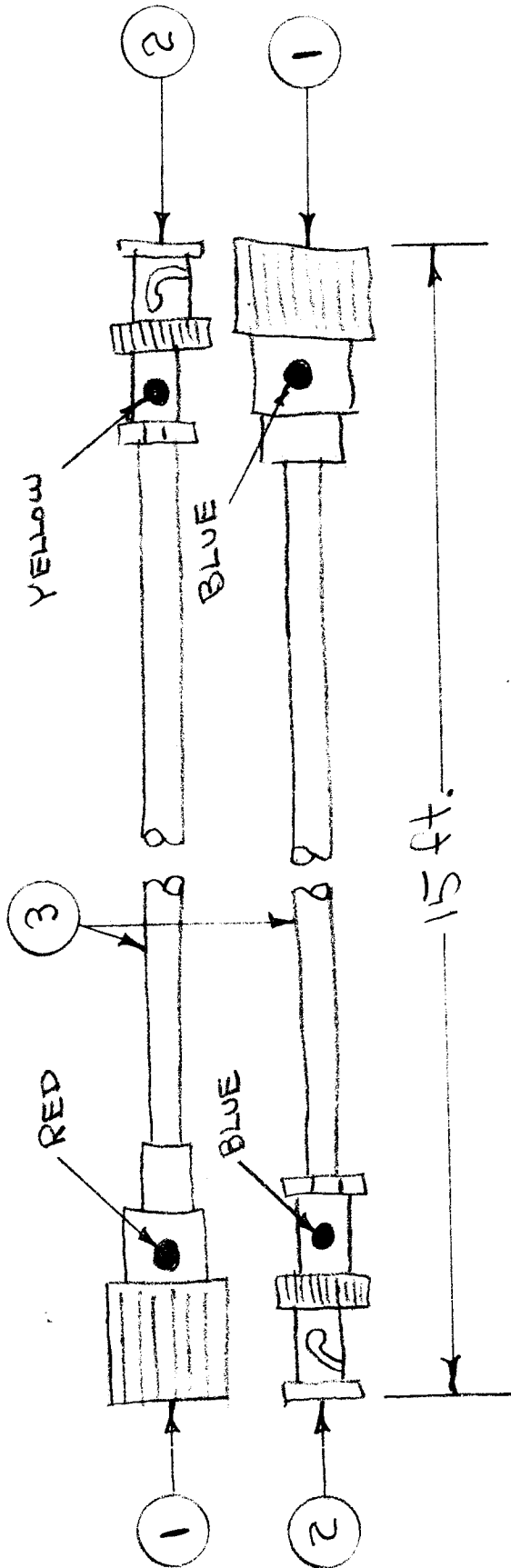
REPLACED BY CA-480-105-15.25
FOR NEW UNITS

X	2	RG-165/U	CABLE	SYMB L
	2	1 PL-222	CONNECTOR, PLUG	
REQ. ITEM		PART NO.	DESCRIPTION	
		STOCK SIZE	THE TECHNICAL MATERIEL CORP.	
		MATERIAL	MAMARONECK, NEW YORK	
			CABLE, RF OUTPUT	
			1/2" FT-10K (1PA)	
			J.C. BIELE	APB
			DRAWN	CHKD
			203	96
			TYPE & TEMPER	HEATTREAT. SPEC.
			FINISH & SPEC. NO.	FINAL APPR VAL
				CA-437 C

ISSUE ITEM	CHANGED FROM	DATE	CH. NO.	DRAFTS	CHECKER	ENG. APP.
C 1	1 1/4 WAS 1 5/4 DWG MADE OBSOLETE	1/12/63	10517		JHE	
B 1	1 5/4 WAS 1 1/4	10-30-63	10303	G.D.L.	JHE	
A 1	ITEM WAS 1/2" B/U	2-2-62	6289	G.D.L.	JHE	
SCALE: NOT TO SCALE						
TOLERANCES						
MAXIMUM ALLOWABLE TOLERANCES HAVE BEEN DETERMINED AND ANY DEVIATIONS WILL BE CAUSE FOR REJECTION. REMOVE ALL BURRS AND SHARP EDGES						
DEC. DIM. ±						
FRAC. DIM. ±						
ANGULAR DIM. ±						

REQ. PER UNIT	MODEL	ASSY. N.	DATE	CA-44S
USED ON				

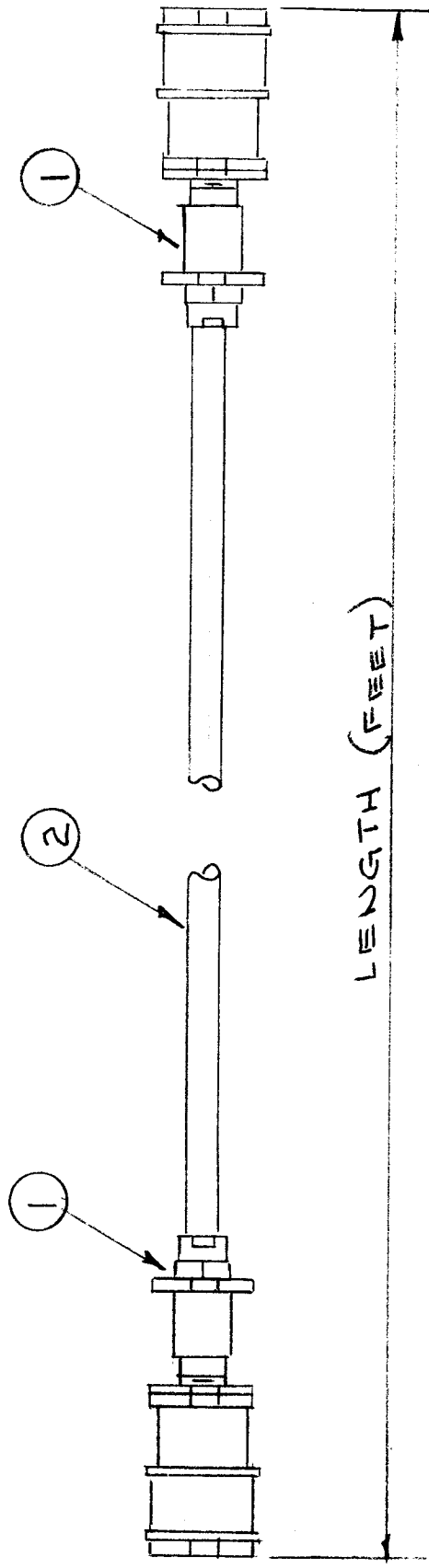
COLOR CODE AS SHOWN



LACE TOGETHER OVER ENTIRE LENGTH TO WITHIN 8 INCHES OF EACH END.

X	A	CD-101-1-MW	LACING CORD			
30A	3	RG-59/U	CABLE, COAXIAL			
2	2	UG-260/U	PLUG			
2	1	PL-259A	PLUG			
REQ. ITEM	ITEM	PART NO.	DESCRIPTION	SYMBOL		
			THE TECHNICAL MATERIEL CORP.			
			MAMARONECK, NEW YORK			
			CABLE ASSEMBLY, GPT-150			
			TO EXTERNAL SBE			
ISSUE ITEM	CHANGED FROM	DATE	CH. NO.	DRAFTS	CHECKER	ENG. APP.
TOLERANCES						
SCALE:						
MAXIMUM ALLOWABLE TOLERANCES HAVE BEEN DETERMINED AND ANY DEVIATIONS WILL BE CAUSE FOR REJECTION. REMOVE ALL BURRS AND SHARP EDGES						
DEC. DIM. ±						
FRAC. DIM. ±						
ANGULAR DIM. ±						
			TYPE & TEMPER	HEAT TREAT. SPEC.	DRAWN	CHECKED
			MATERIAL			
			STOCK SIZE			
			FINISH & SPEC. NO.	ELEC. DES. APP. MECH. DES. APP.		
						FINAL APPROVAL
						CA-44S

TYPE SYM	SERIES	ITEM 1 PLUG, CONNECTOR	ITEM 2 CABLE	REQ. PER UNIT	MODEL	USED ON ASSY. N.	DATE
CA-451	L	PL-136	RG-17/U			CA-451	A



NO LONGER USED
 DIRECTLY REPLACED BY
 CA-480-37

NO MENCLATURE TO BE IN FOLLOWING FORM

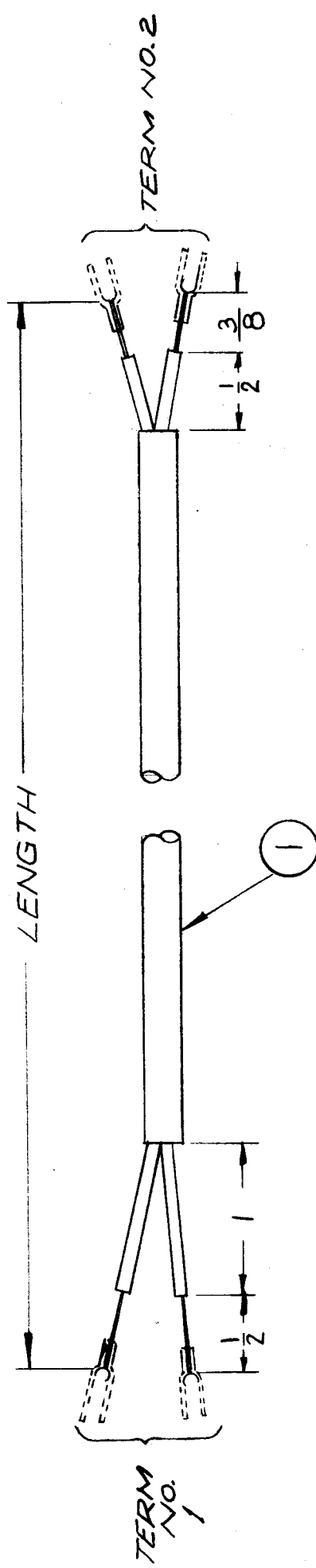
CA-451-L-4

BASIC PART NO TYPE LENGTH (FEET.)

1	2	SEE CHART	CABLE	SYMBOL		
2	1	SEE CHART	PLUG, CONNECTOR			
REQ. ITEM	PART NO.	DESCRIPTION	THE TECHNICAL MATERIEL CORP. MAMARONECK, NEW YORK			
		STOCK SIZE	CABLE ASSY, RF PATCHING			
		MATERIAL	DRAWN: <i>[Signature]</i> CHECKED: <i>[Signature]</i> FINAL APPROVAL: <i>[Signature]</i>			
		TYPE & TEMPER	HEAT TREAT. SPEC.			
		FINISH & SPEC. NO.	ELEC. DES. APP.	MECH. DES. APP.		
ISSUE ITEM	CHANGED FROM	DATE	CH. NO.	DRAFTS	CHECKER	ENG. APP.
A 1	NO LONGER USED NOTE ADDED	8-29-61	5503	L.S.	RUL	RM
TOLERANCES						
SCALE:						
MAXIMUM ALLOWABLE TOLERANCES HAVE BEEN DETERMINED AND ANY DEVIATIONS WILL BE CAUSE FOR REJECTION. REMOVE ALL BURRS AND SHARP EDGES						
DEC. DIM. ±						
FRAC. DIM. ±						
ANGULAR DIM. ±						

PART NO.	TERM NO. 1	TERM NO. 2	LENGTH	CA-452 A
	AS SHOWN AS SHOWN	AS SHOWN AS SHOWN	60 INCHES	
CA 452	AS SHOWN AS SHOWN	AS SHOWN AS SHOWN	AS REQD.	
CA 452-2	NONE	TE/20-2	AS REQD.	
CA 452-3	TE/20-2	TE/20-2	AS REQD.	

REQ. PER. UNIT	MODEL	USED ON
	GPT-10K	ASST. NO. AX-180
		DATE 11-28-60



CA 452-2 - 8.500

FOR 10 FOOT LENGTHS OR LESS, EXPRESS IN FEET TO NEAREST FOOT OR HALF FOOT USING THE LETTER "F"

REQ. ITEM	60	WI-112-1	CABLE, AC	SYMBOL
DESCRIPTION	THE TECHNICAL MATERIEL CORP. MAMARONECK, NEW YORK			
STOCK SIZE	CABLE, AC, BUZZER			
MATERIAL	R.UZZO <i>Jide</i>			
TYPE & TEMPER	DRAWN	CHECKED	FINAL APPROVAL	
HEAT TREAT. SPEC.			CA-452 A	
FINISH & SPEC. NO.	ELEC. DES. APP. MECH. DES. APP.			

ISSUE ITEM	CHANGED FROM	DATE	CH. NO.	DRAFTS	CHECKER	ENG. APP.
A	ADD. PART NO. CHT.	3/17/60	10360	GE	<i>Jide</i>	FB <i>Jide</i>

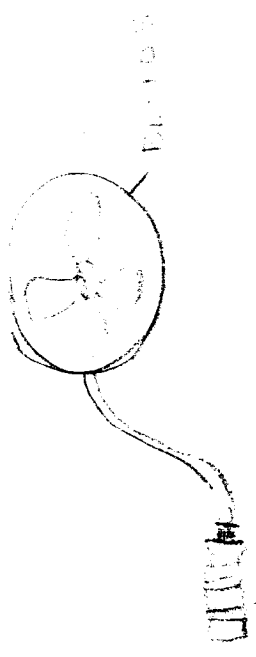
SCALE: DO NOT SCALE

MAXIMUM ALLOWABLE TOLERANCES HAVE BEEN DETERMINED AND ANY DEVIATIONS WILL BE CAUSE FOR REJECTION. REMOVE ALL BURRS AND SHARP EDGES

DEC. DIM. ±
FRAC. DIM. ±
ANGULAR DIM. ±

REQ. PER. UNIT	MODEL	USED ON	SYMBOL
2	AUX 10	ASSY. NO.	CA-454
		DATE	

File in Trig 112.



MISSING PART
FOR ASSEMBLY

8-6-59

OBSOLETE
DO NOT ISSUE
USE AB-101
SEE L. GARDNER

REQ. ITEM	PART NO.	DESCRIPTION	SYMBOL
		THE TECHNICAL MATERIEL CORP.	
		MAMARONECK, NEW YORK	
		CABLE ASSY, FAN	
		STOCK SIZE	
		MATERIAL	
		TYPE & TEMPER	
		HEAT TREAT. SPEC.	
		DRAWN	
		CHECKED	
			FINAL APPROVAL
			CA 454
		FINISH & SPEC. NO.	
		ELEC. DES. APP.	
		MECH. DES. APP.	

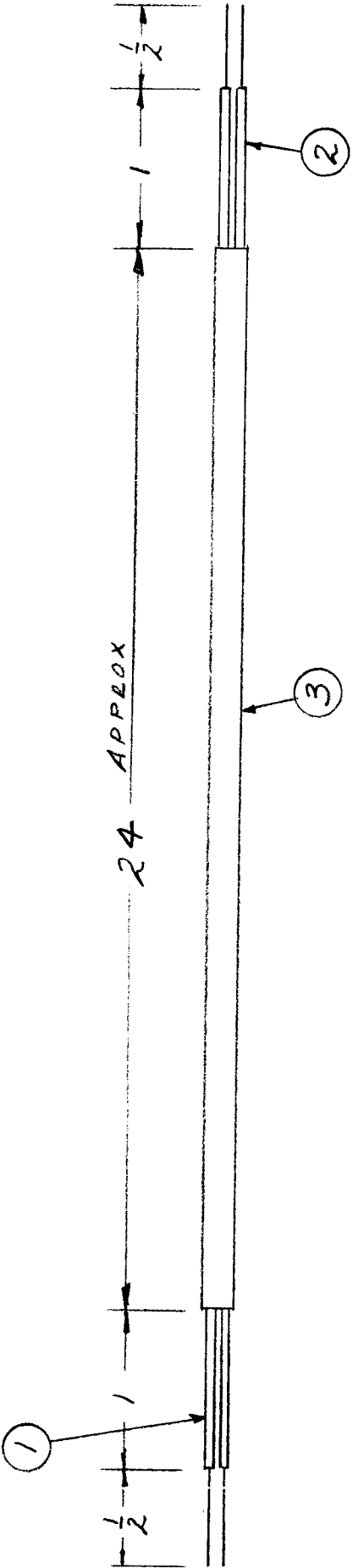
SCALE:

MAXIMUM ALLOWABLE TOLERANCES HAVE BEEN DETERMINED AND ANY DEVIATIONS WILL BE CAUSE FOR REJECTION. REMOVE ALL BURRS AND SHARP EDGES

TOLERANCES

DEC. DIM. ±
FRAC. DIM. ±
ANGULAR DIM. ±

REQ. PER. UNIT	MODEL	USED ON	DATE
1	UTD-2	ASS'Y. NO.	4-22-59
			CA-456
			A



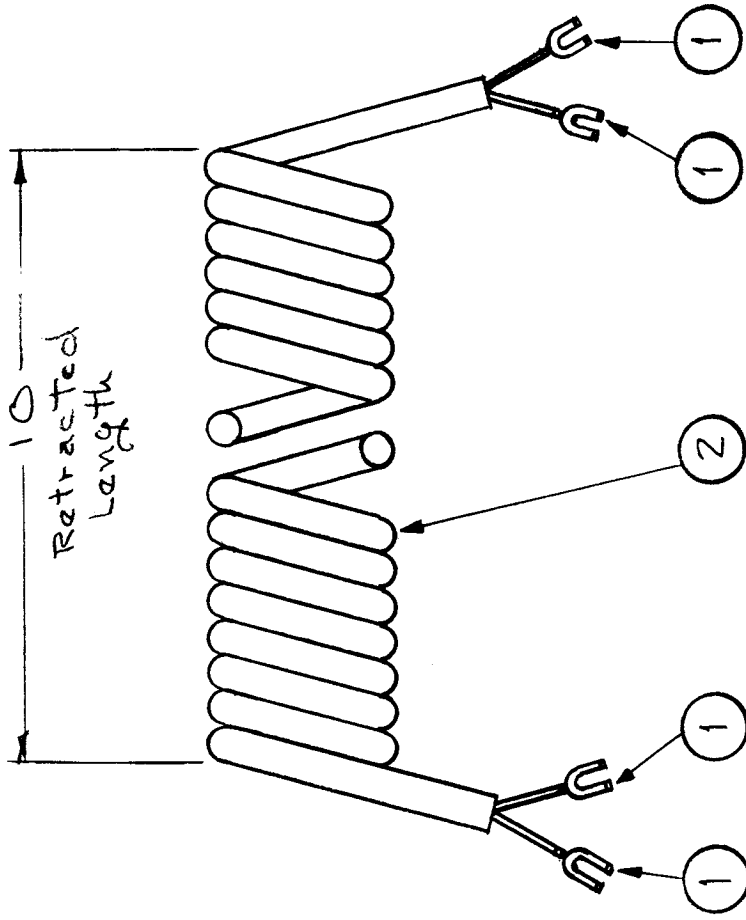
24 APPROX

NOTE: TIN ENDS

20"	3	PX-100-1-148	INSULATION, SLEEVING #7	BLACK
23"	2	MWC22(7)U95	CABLE, INSULATED	WHITE / GREEN
23"	1	MWC22(7)U0	CABLE, INSULATED	BLACK
REQ. ITEM	PART NO.	DESCRIPTION	SYMBOL	
	CP	THE TECHNICAL MATERIEL CORP.		
		MAMARONECK, NEW YORK		
		CABLE ASSY UTD-2		
TYPE & TEMPER	HEAT TREAT. SPEC.	DRAWN	CHECKED	FINAL APPROVAL
CP	CP	CP	AW	AW
FINISH & SPEC. NO.		ELEC. DES. APP. MECH. DES. APP.		
		CA-456		

ISSUE ITEM	CHANGED FROM	DATE	CH. NO.	DRAFTS	CHECKER	ENG. APP.
A 1	24" LENGTH WAS 20"	5/1/59	945	JDR	AW	AW
TOLERANCES						
SCALE:						
MAXIMUM ALLOWABLE TOLERANCES HAVE BEEN DETERMINED AND ANY DEVIATIONS WILL BE CAUSE FOR REJECTION. REMOVE ALL BURRS AND SHARP EDGES						
DEC. DIM. ±						
FRAC. DIM. ±						
ANGULAR DIM. ±						

REQ. PER. UNIT	MODEL	USED ON	DATE
1	UTD-Z	ASSY. NO.	4-29-59
			CA-457



1	2	WI-135-1-10	CABLE, COILED COMM.		
4	1	TE 120-2	SPADE, LUG		
REQ. ITEM		PART NO.	DESCRIPTION	SYMBOL	
			THE TECHNICAL MATERIEL CORP.		
			MAMARONECK, NEW YORK		
			INTERCONNECT, COILED CABLE		
			ASSEMBLY.		
			J.C. BIELE	DRAWN	FINAL APPROVAL
				CHECKED	CA-457
				ELEC. DES. APP.	
				MECH. DES. APP.	
				FINISH & SPEC. NO.	

ISSUE ITEM	CHANGED FROM	DATE	CH. NO.	DRAFTS	CHECKER	ENG. APP.
TOLERANCES						
SCALE:						
MAXIMUM ALLOWABLE TOLERANCES HAVE BEEN DETERMINED AND ANY DEVIATIONS WILL BE CAUSE FOR REJECTION. REMOVE ALL BURRS AND SHARP EDGES						
DEC. DIM. ±						
FRAC. DIM. ±						
ANGULAR DIM. ±						

REQ. PER UNIT	MODEL	USED ON ASS'Y. NO.	DATE
1	SPT-10K	AX-186	
			CA-459

DO NOT ISSUE

Replaced by

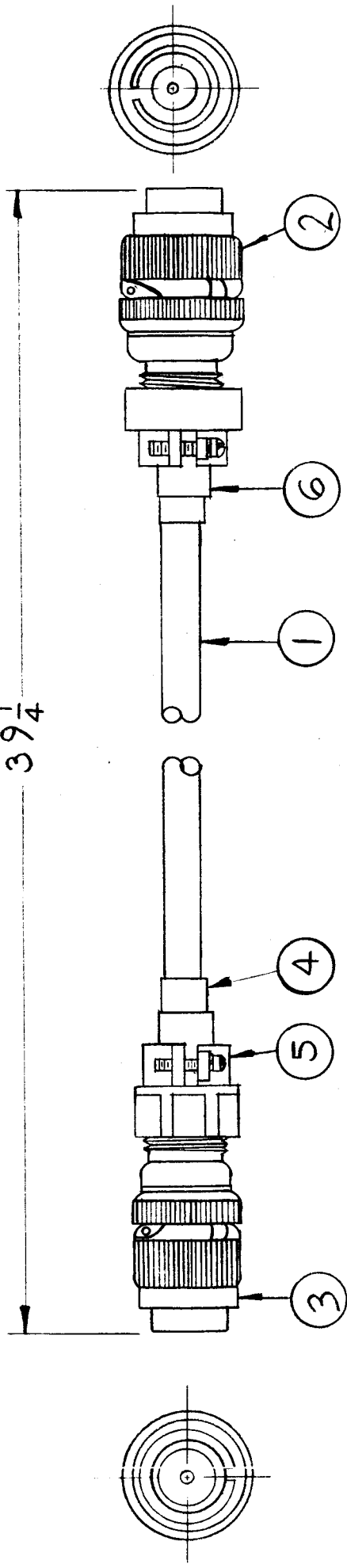
CA-503-41000

REQ. ITEM	DESCRIPTION	SYMBOL
	THE TECHNICAL MATERIEL CORP. MAMARONECK, NEW YORK	
	Cable, RF, BE Input, RFB (W1002)	
ISSUE ITEM	CHANGED FROM	
TOLERANCES DEC. DIM. \pm FRAC. DIM. \pm ANGULAR DIM. \pm		
DATE	CH. NO.	DRAFTS
DATE	CH. NO.	ENG. APP.
TYPE & TEMPER	HEAT TREAT. SPEC.	DRAWN
FINISH & SPEC. NO.	ELEC. DES. APP.	MECH. DES. APP.
		FINAL APPROVAL
		CA-459

CA-460

REQ. PER UNIT	1
MODEL	GPT-10K
USED ON	
ASSY. NO.	
DATE	11-29-60

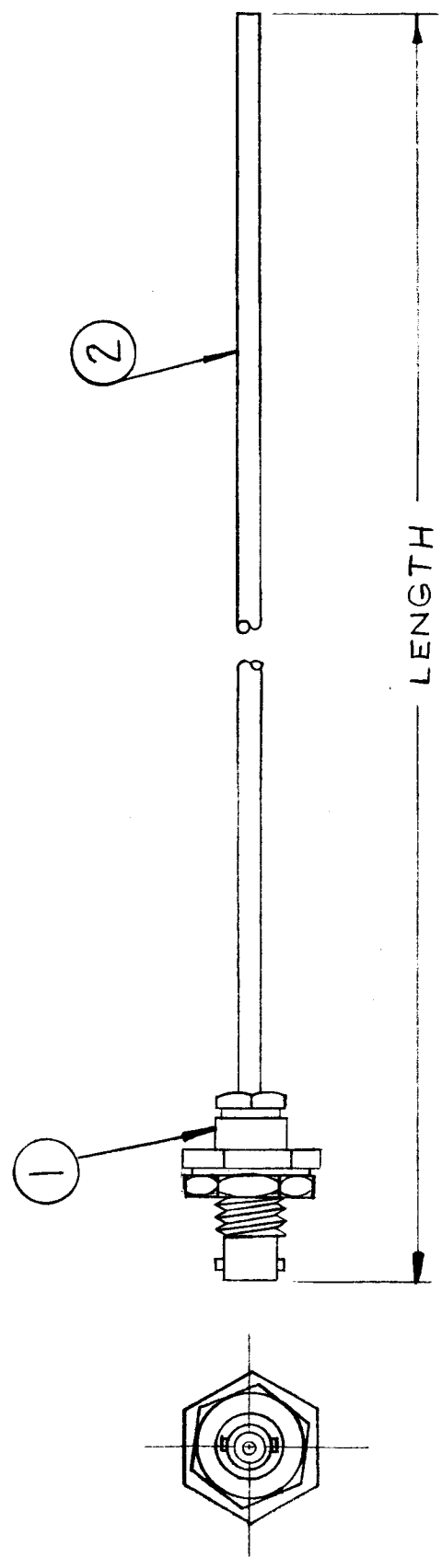
39 1/4



REQ. ITEM	PART NO.	DESCRIPTION	SYMBOL
2	6	MS-3420-8A BUSHING, TELESCOPING	
2	5	MS-3057-10A CABLE CLAMP	
2	4	MS-3420-6A BUSHING, TELESCOPING	
1	3	MS-3106-B-18-16P PLUG, PIN	
1	2	MS-3106-B-18-16S PLUG, SOCKET	
39 1/4	1	WI-131 CABLE	
		THE TECHNICAL MATERIEL CORP. MAMARONECK, NEW YORK	
		CABLE, HV INPUT, RFB-1 INTERCONNECT	
		Ruzzo	
		Checked	
		Drawn	
		Final Approval	
		CA-460	

ISSUE ITEM	CHANGED FROM	DATE	CH. NO.	DRAFTS	CHECKER	ENG. APP.
TOLERANCES						
DEC. DIM. ±						
FRAC. DIM. ±						
ANGULAR DIM. ±						
SCALE:						
MAXIMUM ALLOWABLE TOLERANCES HAVE BEEN DETERMINED AND ANY DEVIATIONS WILL BE CAUSE FOR REJECTION. REMOVE ALL BURRS AND SHARP EDGES						
FINISH & SPEC. NO.						
ELEC. DES. APP. MECH. DES. APP.						

TMC PART NO CA-461-1	LENGTH 55 1/2	USED ON GPT-10K	SECTION AX186	REQ. PER UNIT	MODEL	USED ON AS 'Y. NO.	DATE	CA-461
-------------------------	------------------	--------------------	------------------	---------------	-------	--------------------	------	--------



2	RG-174U	WIRE, RF CABLE	SYMBOL
1	JJ-172	CONNECTOR	
REQ. ITEM	PART NO.	DESCRIPTION	
		THE TECHNICAL MATERIEL CORP.	
		MAMARONECK, NEW YORK	
		CABLE, RF	
		MATERIAL	
		TYPE & TEMPER	
		HEATTREAT.SPEC.	
		FINISH & SPEC. NO.	
		R. UZZO	
		DRAWN	
		CHECKED	
		ELEC. DES. APP.	
		MECH. DES. APP.	
		FINAL APPROVAL	
		CA-461	

ISSUE ITEM	CHANGED FROM	DATE	CH. NO.	DRAFTS	CHECKER	ENG. APP.

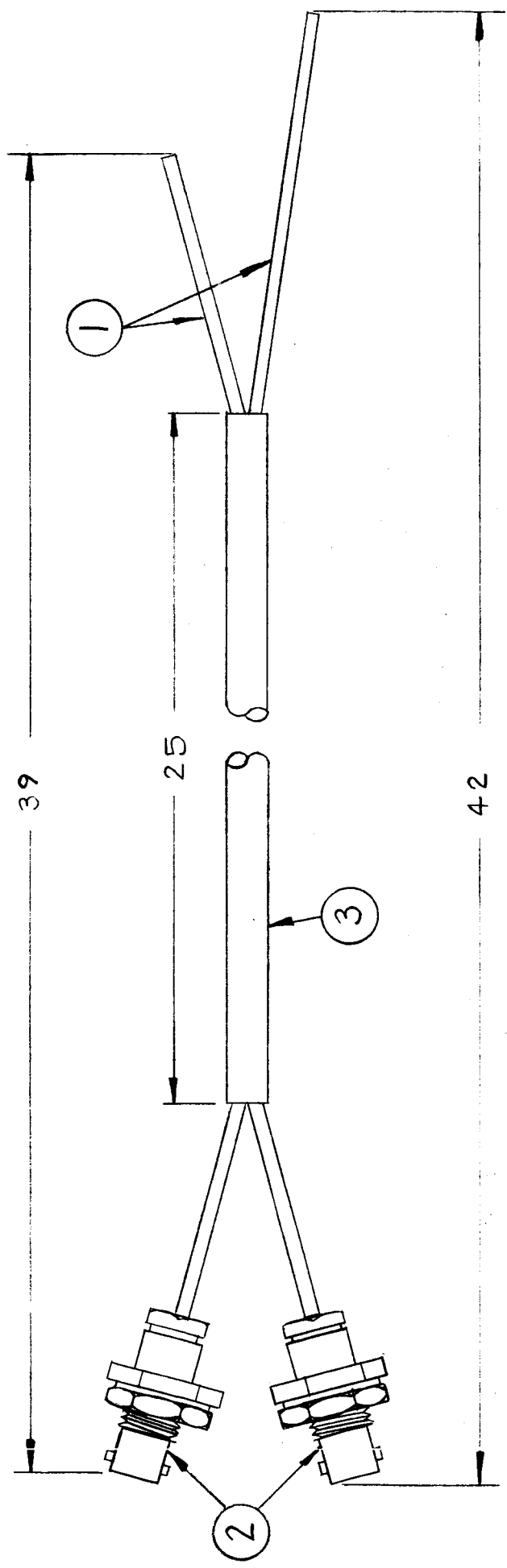
SCALE:

MAXIMUM ALLOWABLE TOLERANCES HAVE BEEN DETERMINED AND ANY DEVIATIONS WILL BE CAUSE FOR REJECTION. REMOVE ALL BURRS AND SHARP EDGES

TOLERANCES

DEC. DIM. ±
FRAC. DIM. ±
ANGULAR DIM. ±

REQ. PER. UNIT	USED ON	MODEL	ASSY. NO.	DATE
1	GPT 10K	AX-186	11-28-60	CA-462 A



REQ. ITEM	PART NO.	DESCRIPTION	SYMBOL
25' 3	PX-100-T-208	INSULATION, TUBING SIZE 4	
2 2	JJ-172	CONNECTOR, JACK, BULKHEAD	
79'	RG-174/U	CABLE, RF	
STOCK SIZE		THE TECHNICAL MATERIEL CORP. MAMARONECK, NEW YORK	
MATERIAL		CABLE, RF, IPA MONITOR & PA MONITOR	
TYPE & TEMPER		R. UZZO	
HEAT TREAT. SPEC.		DRAWN	
FINISH & SPEC. NO.		CHECKED	
		ELEC. DES. APP	
		MECH. DES. APP	
		FINAL APPROVAL	CA-462 A

ISSUE ITEM	CHANGED FROM	DATE	CH. NO.	DRAFTS	CHECKER	ENG. APP.
A	IT 3 WAS -- 208	10.25.66	17050	UHW	[Signature]	[Signature]
TOLERANCES						
SCALE: DO NOT SCALE						
MAXIMUM ALLOWABLE TOLERANCES HAVE BEEN DETERMINED AND ANY DEVIATIONS WILL BE CAUSE FOR REJECTION. REMOVE ALL BURRS AND SHARP EDGES						
DEC. DIM. ±						
FRAC. DIM. ±						
ANGULAR DIM. ±						

REQ. PER. UNIT	USED ON		DATE
	MODEL	ASS'Y. NO.	
1	GPT-1010	PA	

CA-463

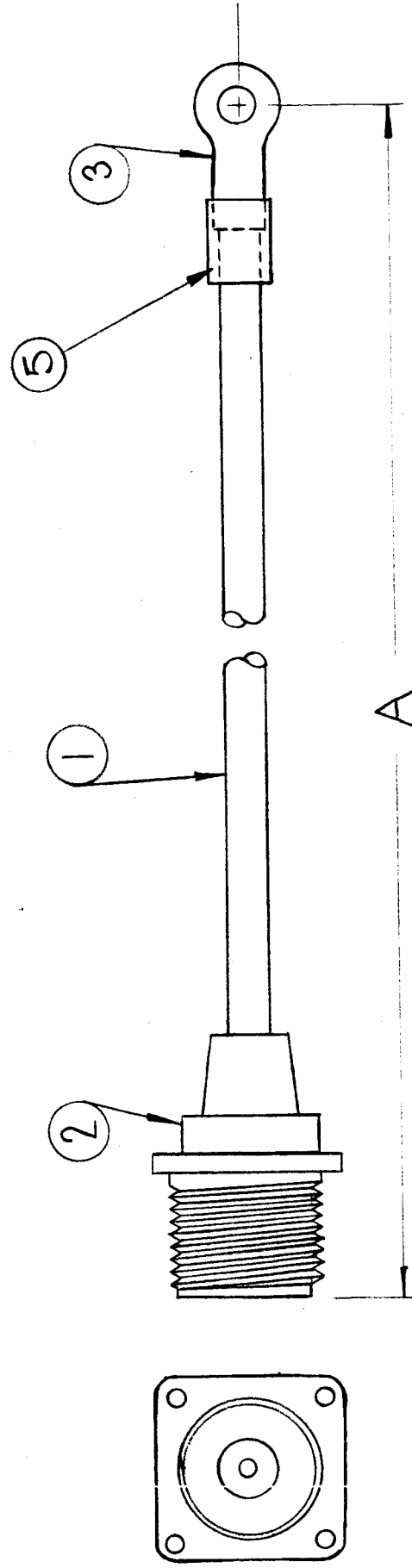
DBS.
 NOT USED
 P/O CN 462

~~SECRET~~

REQ. ITEM	CHANGED FROM	DATE	CH. NO.	DRAFTS	CHECKER	ENG. APP.	REQ. ITEM	PART NO.	DESCRIPTION	SYMBOL
									THE TECHNICAL MATERIEL CORP.	
									MAMARONECK, NEW YORK	
									Cable TRF	
									PA M... Cable TRF	
TOLERANCES										
DEC. DIM. ±										
FRAC. DIM. ±										
ANGULAR DIM. ±										
SCALE:										
MAXIMUM ALLOWABLE TOLERANCES HAVE BEEN DETERMINED AND ANY DEVIATIONS WILL BE CAUSE FOR REJECTION. REMOVE ALL BURRS AND SHARP EDGES										
TOLERANCES										
TYPE & TEMPER										
HEATTREAT. SPEC.										
FINISH & SPEC. NO.										
DRAWN										
CHECKED										
ELEC. DES. APP										
MECH. DES. APP										
FINAL APPROVAL										CA-463

REQ. PER UNIT	1
MODEL	GPT-10K
ASBY. NO.	PA
DATE	11-28-60
CA-466 D	

TMC PART NO	A	USED ON UNIT
CA 466	10-1/2	GPT-10K (AX557)
CA 466-2	20	GPT-10KRL GPT-40KEL



0-1	5	PX830-6-1	SLEEVING, SHRINK	BRN	SYMBOL
X	4	BS-100	SOLDER		
1	3	TE-14-1-3	TERMINAL		
1	2	MS3102A18-16S	CONNECTOR		
10	1	WI-131	WIRE, HV		
THE TECHNICAL MATERIEL CORP.			MAMARONECK, NEW YORK		
CABLE, HV, INPUT					
RUIZZO			DRAWN		
CHECKED			FINAL APPROVAL		
CA-466 D					

REQ. ITEM	PART NO.	STOCK SIZE	MATERIAL	TYPE & TEMPER	HEAT TREAT. SPEC.	FINISH & SPEC. NO.

ISSUE	ITEM	CHANGED FROM	DATE	CH. NO.	DRAFTS	CHECKER	ENG. APP.
D		CHART. ADDED	11-1-67	18583	NBY	SG	FJB
C		QTY 10 ADDED IT 1	10/25/66	17050	WHU		
B		IT. 5 WAS PK 6 43-1	12/16/65	15375	AVL	QDS	
A		ITEM 5 ADDED	1-16-63	9410			
		ITEM 3 WAS TE-159-32960					

TOLERANCES

DEC. DIM. ±

FRAC. DIM ±

ANGULAR DIM. ±

SCALE: MAXIMUM ALLOWABLE TOLERANCES HAVE BEEN DETERMINED AND ANY DEVIATIONS WILL BE CAUSE FOR REJECTION. REMOVE ALL BURRS AND SHARP EDGES

REQ. PER. UNIT	MODEL	USED ON	
	FSA	ASS'Y. NO.	DATE

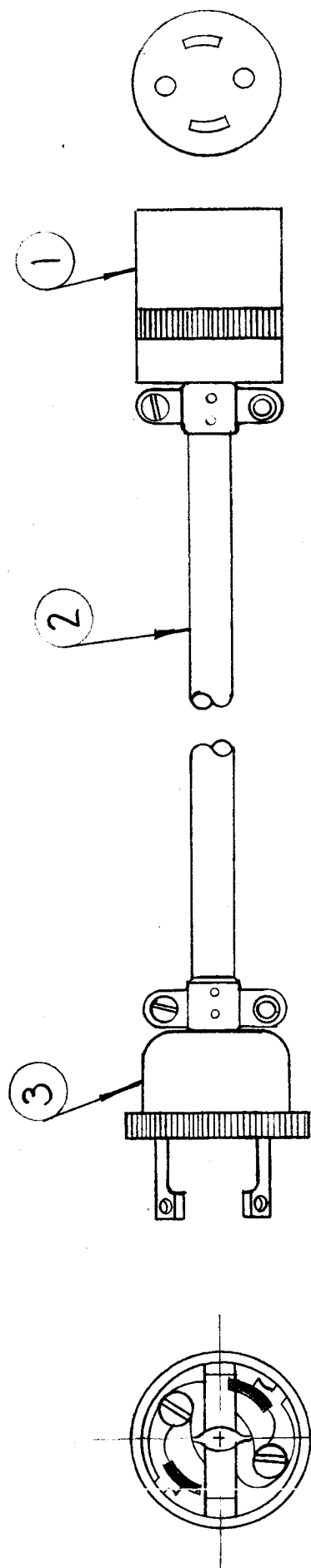
CA-467

DBS
 Replaced by
 CA-5555-1
 16

1. PH-171
2. VI-134-6
3. PH-176

REQ. ITEM			PART NO.				DESCRIPTION			SYMBOL	
							THE TECHNICAL MATERIEL CORP.				
							MAMARONECK, NEW YORK				
			STOCK SIZE				<i>Cable Assy</i>				
			MATERIAL				<i>Plated</i>				
ISSUE ITEM	CHANGED FROM	DATE	CH. NO.	DRAFTS	CHECKER	ENG. APP.	TYPE & TEMPER	HEAT TREAT. SPEC.	DRAWN	CHECKED	FINAL APPROVAL
TOLERANCES							SCALE:				
DEC. DIM. \pm FRAC. DIM. \pm ANGULAR DIM. \pm							MAXIMUM ALLOWABLE TOLERANCES HAVE BEEN DETERMINED AND ANY DEVIATIONS WILL BE CAUSE FOR REJECTION. REMOVE ALL BURRS AND SHARP EDGES				
							ELEC. DES. APP. MECH. DES. APP.				
							CA-467				

TMC PART NO.	LENGTH	USED ON	SECTION	REQ. PER UNIT	MODEL	USED ON ASSY. NO.	DATE	CA-468 C
CA-468-1	8 FT.	SBE (FOR) JOK	A-1397					
CA-468-2	22 INCHES	RAK-9						
CA-468-3	31 INCHES	SBT-1KF						

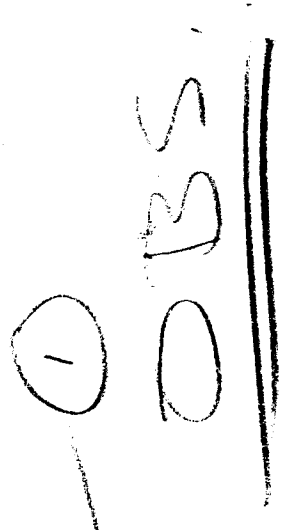


REQ. ITEM	PART NO.	DESCRIPTION	SYMBOL
3	PL-171	CONNECTOR, PLUG, MALE	
2	WI-112-1	CABLE, A.C.	
1	PL-100	CONNECTOR, PLUG, FEM	
THE TECHNICAL MATERIEL CORP. MAMARONECK, NEW YORK CABLE, AC			
ISSUE/ITEM	CHANGED FROM	DATE	CH. NO.
C 1	ON CA-468-2 LENGTH WAS 18 IN	2-27-62	6467
B 1	CA-468-3 ADDED	1-4-61	3865
A 1	CA-468-2 ADDED	12/8/60	3685
TOLERANCES			
SCALE:			
MAXIMUM ALLOWABLE TOLERANCES HAVE BEEN DETERMINED AND ANY DEVIATIONS WILL BE CAUSE FOR REJECTION. REMOVE ALL BURRS AND SHARP EDGES			
DEC. DIM. ±	DRAWN		
FRAC. DIM. ±	CHECKED		
ANGULAR DIM. ±	ELEC. DES. APP. MECH. DES. APP.		
	RUIZZO	APPROVED	CA-468 C
		FINAL APPROVAL	

REQ. PER. UNIT	MODEL	USED ON ASS'Y. NO.	DATE
1	GPT-10K	CA-469	

CABINET ASSY

Part No
 CA-469-1
 CA-469-2



USE
 CA-469-24-24.00
 CA-469-25-24.00

- 3) 3/8" dia Terminal
- 2) 2" x 1/2" wire
- 1) 1" x 1/2" Terminal

REQ. ITEM	PART NO.	DESCRIPTION	SYMBOL
		THE TECHNICAL MATERIEL CORP.	
		MAMARONECK, NEW YORK	
		Cable, Lamp	
STOCK SIZE			
MATERIAL			
TYPE & TEMPER HEAT TREAT. SPEC.			
DRAWN			
CHECKED			
FINAL APPROVAL			
ELEC. DES. APP. MECH. DES. APP.			
FINISH & SPEC. NO.			
CA-469			

SCALE:

MAXIMUM ALLOWABLE TOLERANCES HAVE BEEN DETERMINED AND ANY DEVIATIONS WILL BE CAUSE FOR REJECTION. REMOVE ALL BURRS AND SHARP EDGES

REQ. PER. UNIT	1	USED ON	LA 470
MODEL	100	ASSY. NO.	
DATE			

mod for GPT-10K

OK

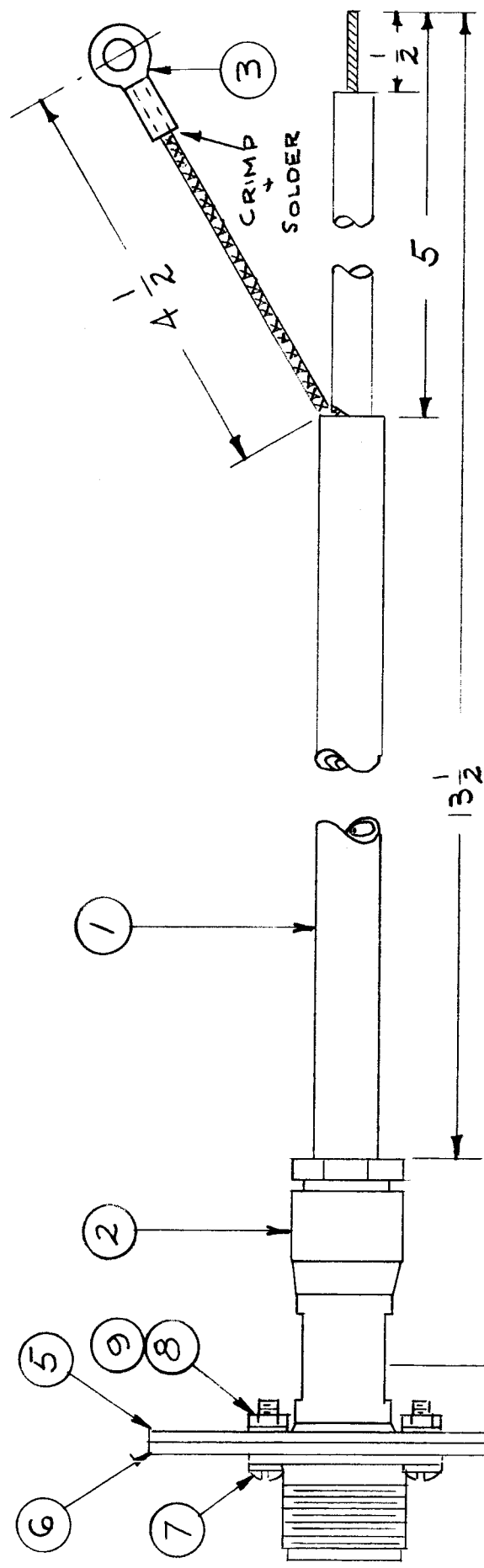
OBS,
 Replaced
 by
 CA-435-1

1. PH-171 Turntable, Plug, male
2. WI-134-2-12 Power Cord, X wiled

REQ. ITEM	PART NO.	DESCRIPTION	SYMBOL
		THE TECHNICAL MATERIEL CORP.	
		MAMARONECK, NEW YORK	
		Cable Code Power	
		Cord X wiled	
ISSUE ITEM	CHANGED FROM	DRAWN	CHECKED
TOLERANCES			
DEC. DIM. ±			
FRAC. DIM. ±			
ANGULAR DIM. ±			
	DATE	CH. NO.	DRAFTS
		CHECKER	ENG. APP.
SCALE:			
MAXIMUM ALLOWABLE TOLERANCES HAVE BEEN DETERMINED AND ANY DEVIATIONS WILL BE CAUSE FOR REJECTION. REMOVE ALL BURRS AND SHARP EDGES			
	FINISH & SPEC. NO.	ELEC. DES. APP.	MECH. DES. APP.
			FINAL APPROVAL
			CA-470

CA-475

REQ. PER. UNIT	MODEL	USED ON ASSY. NO.	DATE



SEE TMC SPEC #S-124 FOR WIRING CONNECTOR TO CABLE.

* ATS -50-TU-2 USE RG8/U CABLE
 ATS -70-TU-2 USE RG11/U CABLE

REQ. ITEM	PART NO.	DESCRIPTION	SYMBOL
4	9	NTH0440BC6	NUT, HEX.
4	8	LWEO4MRC	LOCK WASHER, EXT.
4	7	SCBS0440BC6	SCREW, MACHINE
1	6	GA-141	GASKET, RF CONNECTOR
1	5	MS-1170	PLATE, MTG, RF CONNECTOR
K	4	BS-100	SOLDER, SOFT
1	3	TE-141-3	LUG
1	2	UG-61B/U	CONNECTOR, RECEPTACLE
*	1	SEE CHART	CABLE, COAXIAL

THE TECHNICAL MATERIEL CORP.
 MAMARONECK, NEW YORK
 CABLE ASSY.

ISSUE ITEM	CHANGED FROM	DATE	CH. NO.	DRAFTS	CHECKER	ENG. APP.

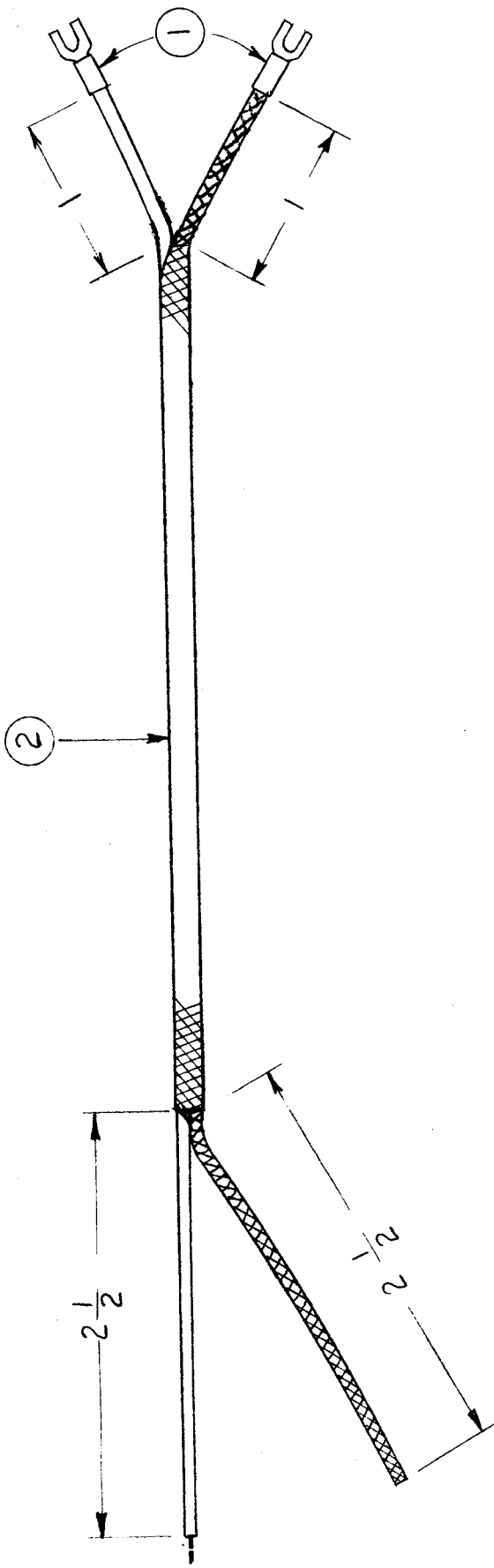
SCALE:

MAXIMUM ALLOWABLE TOLERANCES HAVE BEEN DETERMINED AND ANY DEVIATIONS WILL BE CAUSE FOR REJECTION. REMOVE ALL BURRS AND SHARP EDGES

10/10/59
 G-10-59
 DRAWN
 CHECKED
 FINAL APPROVAL
 CA-475

CA-479

QTY. PER UNIT	USED ON
1	MODEL
	ABST. NO.
	DATE
	2-2-61



38" 2	MWC 22(7)59	CABLE, SHIELDED	WHITE
2 1	TE-120-2	LUG, CRIMP TYPE	
REQ. ITEM	PART NO.	DESCRIPTION	SYMBOL
		THE TECHNICAL MATERIEL CORP.	
		MAMARONECK, NEW YORK	
		AUDIO CABLE	
		STOCK SIZE	
		MATERIAL	
		DRAWN	Checked
		CHECKED	Checked
		FINAL APPROVAL	CA-479

ISSUE ITEM	CHANGED FROM	DATE	CH. NO.	DRAFTS	CHECKER	ENG. APP.
1	RE-DRAWN NO REVISION	2/8/61			JDL	
TOLERANCES						
MAXIMUM ALLOWABLE TOLERANCES HAVE BEEN DETERMINED AND ANY DEVIATIONS WILL BE CAUSE FOR REJECTION. REMOVE ALL BURRS AND SHARP EDGES						
DEC. DIM. ±						
FRAC. DIM. ±						
ANGULAR DIM. ±						

THE CONTENTS OF THIS DRAWING ARE THE EXCLUSIVE PROPERTY OF THE TECHNICAL MATERIEL CORP. ITS UNAUTHORIZED USE FOR REPRODUCTION IN WHOLE OR IN PART IS STRICTLY FORBIDDEN.		USED ON ASSY. NO.	DATE 1-29-63	MODEL CA-480
REQ. PER UNIT	MODEL	ASSY. NO.	DATE	MODEL

LENGTH (SEE NOTE)

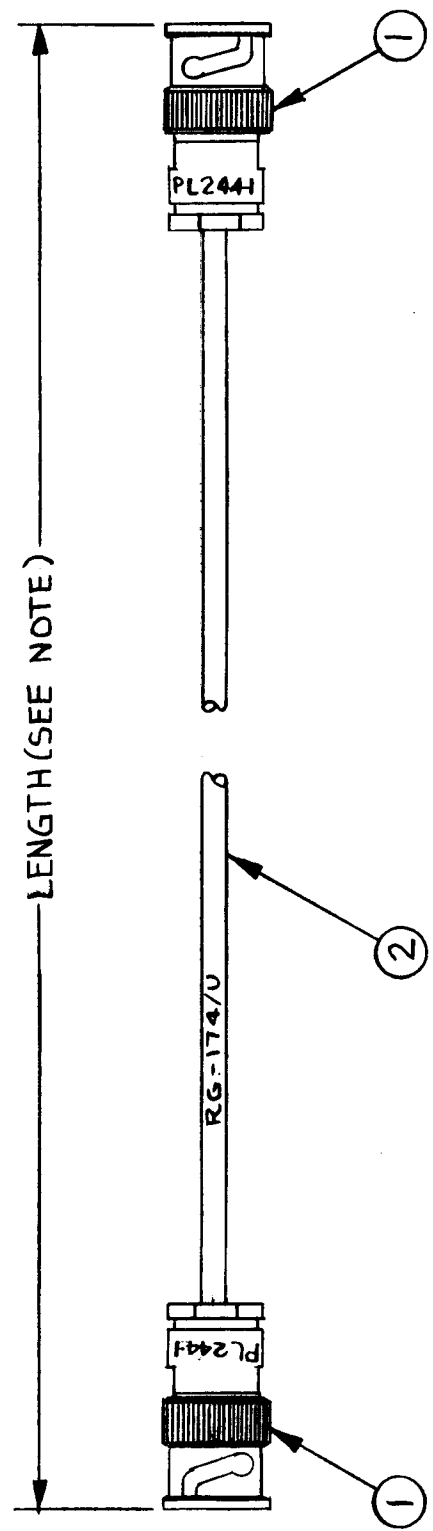
CA-480 - XX" -

NOTE: FOR 10 FOOT LENGTHS OR LESS EXPRESS IN INCHES.
 FOR OVER 10 FOOT LENGTHS EXPRESS TO NEAREST FOOT OR HALF FOOT USE LETTER "F"

X	2	CABLE, R.F. COAXIAL	PART NO.	SYMBOL
2	1	PL.		
REQ. ITEM		MARTINENGO DESCRIPTION		
		THE TECHNICAL MATERIEL CORP. MAMARONECK. NEW YORK		
		CABLE, R.F.		
		QDM SERIES		
MATERIAL		M TANTILD		
TYPE & TEMPER		DRAWN		
HEAT TREAT. SPEC.		CHECKED		
FINISH & SPEC. NO.		ELEC. DES. APP. MECH. DES. APP.		
		8A-CA-480 CA-480-		

SYM	DESCRIPTION	DATE	CH. NO.	DRAFTS	CHECKER	ENG. APP.
SCALE						
UNLESS OTHERWISE SPECIFIED DIMENSIONS ARE IN INCHES AND INCLUDE CHEMICALLY APPLIED OR PLATED FINISHES						
TOLERANCES						
DECIMALS X ± .05 .XX ± .01 .XXX ± .005						
FRACTIONS ± 1/64 ANGLES ± 0° 30'						

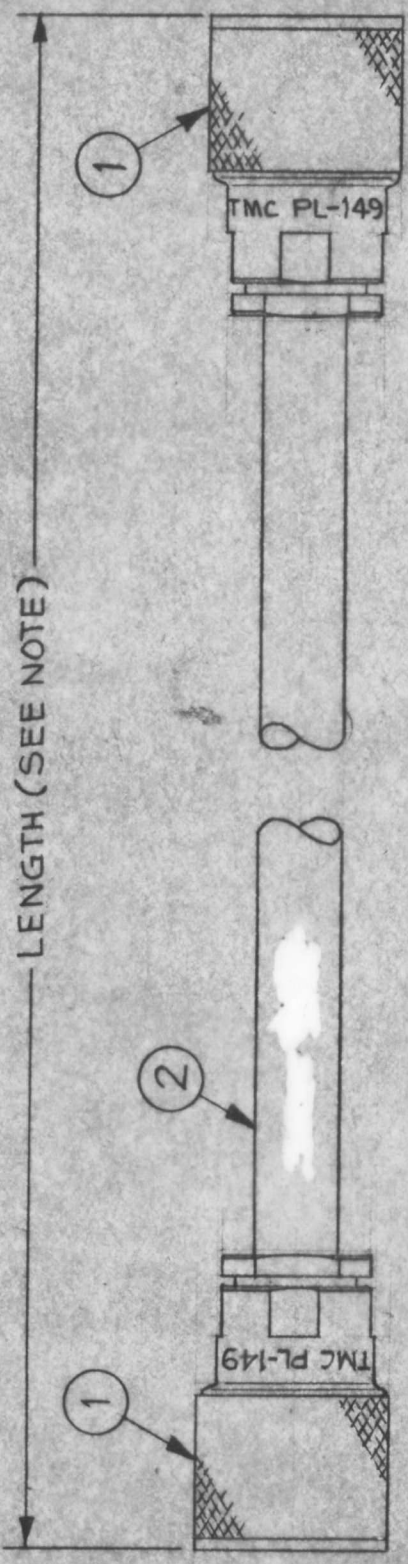
OGIUVIE PRESS, INC., BROOKLYN 17, N. Y. REPROVAL NO. 400M 3787



CA-480-3-XX"

NOTE: FOR 10 FOOT LENGTHS OR LESS EXPRESS IN INCHES. FOR OVER 10 FOOT LENGTHS EXPRESS IN FEET TO THE NEAREST FOOT OR HALF FOOT USE LETTER "F".

X	2	RG-174/U	CABLE, RF COAXIAL	SYMBOL	
2	1	PL-244-1	PLUG, RF CONNECTOR		
REQ. ITEM		PART NO.		DESCRIPTION	
				THE TECHNICAL MATERIEL CORP. MAMARONECK, NEW YORK	
		STOCK SIZE		CABLE, RF	
		MATERIAL		BNC SERIES	
A		PL244-1 WAS PL 109	5-12-65	14049	CJL JL
SYM		DESCRIPTION		DATE	CH. NO.
		UNLESS OTHERWISE SPECIFIED DIMENSIONS ARE IN INCHES AND INCLUDE CHEMICALLY APPLIED OR PLATED FINISHES		SCALE	
X ± .05		DIMENSIONS ARE IN INCHES AND INCLUDE CHEMICALLY APPLIED OR PLATED FINISHES		DATE	CH. NO.
XX ± .01		DIMENSIONS ARE IN INCHES AND INCLUDE CHEMICALLY APPLIED OR PLATED FINISHES		DATE	CH. NO.
.XXX ± .005		DIMENSIONS ARE IN INCHES AND INCLUDE CHEMICALLY APPLIED OR PLATED FINISHES		DATE	CH. NO.
TOLERANCES		FRACTIONS		DATE	CH. NO.
± 1/64		ANGLES		DATE	CH. NO.
± 0° 30'		ANGLES		DATE	CH. NO.
CODE		CODE		DATE	CH. NO.
8A-CA-480		8A-CA-480		DATE	CH. NO.
FINISH & SPEC. NO.		FINISH & SPEC. NO.		DATE	CH. NO.
				DATE	CH. NO.
ELEC. DES. APP. MECH. DES. APP.		ELEC. DES. APP. MECH. DES. APP.		DATE	CH. NO.
M.TANTILLO		M.TANTILLO		DATE	CH. NO.
DRAWN		DRAWN		DATE	CH. NO.
CHECKED		CHECKED		DATE	CH. NO.
FINAL APPROVAL		FINAL APPROVAL		DATE	CH. NO.
BP		BP		DATE	CH. NO.
CA-480-3		CA-480-3		DATE	CH. NO.

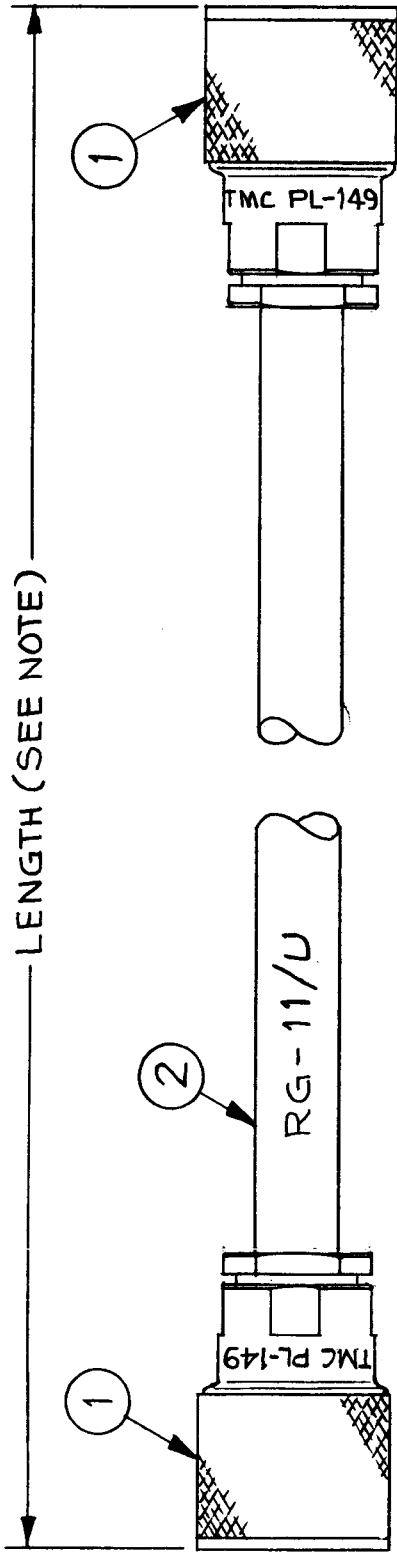


CA-480-17-XX (F)

NOTE: FOR 10 FOOT LENGTHS OR LESS EXPRESS IN INCHES. XX FOR OVER 10 FOOT LENGTHS EXPRESS IN FEET TO THE NEAREST FOOT OR HALF FOOT USE LETTER (F)

SYM	DESCRIPTION	DATE	CH. NO.	DRAFTS	CHECKER	ENG. APP.
	UNLESS OTHERWISE SPECIFIED DIMENSIONS ARE IN INCHES AND INCLUDE CHEMICALLY APPLIED OR PLATED FINISHES					
	TOLERANCES					
	DECIMALS					
	.X ± .05					
	.XX ± .01					
	.XXX ± .005					
	FRACTIONS					
	± 1/64					
	ANGLES					
	± 0° 30'					
	CODE					
	A					
	SCALE					
	1					
	DESCRIPTION					
	CABLE, COAX					
	PLUG, CONNECTOR					
	MATERIAL					
	RG-8/U					
	PL-149					
	PART NO.					
	STOCK SIZE					
	THE TECHNICAL MATERIEL CORP. MAMARONECK, NEW YORK					
	CABLE, RF					
	QDS SERIES					
	DRAWN					
	CHECKED					
	FINAL APPROVAL					
	FINISH & SPEC. NO.					
	BA-CA-480					
	ELEC. DES. APP. MECH. DES. APP.					
	CA-480-17					

REQ. PER UNIT	USED ON	CA-480-18
MODEL	ASSY. NO.	
	DATE	

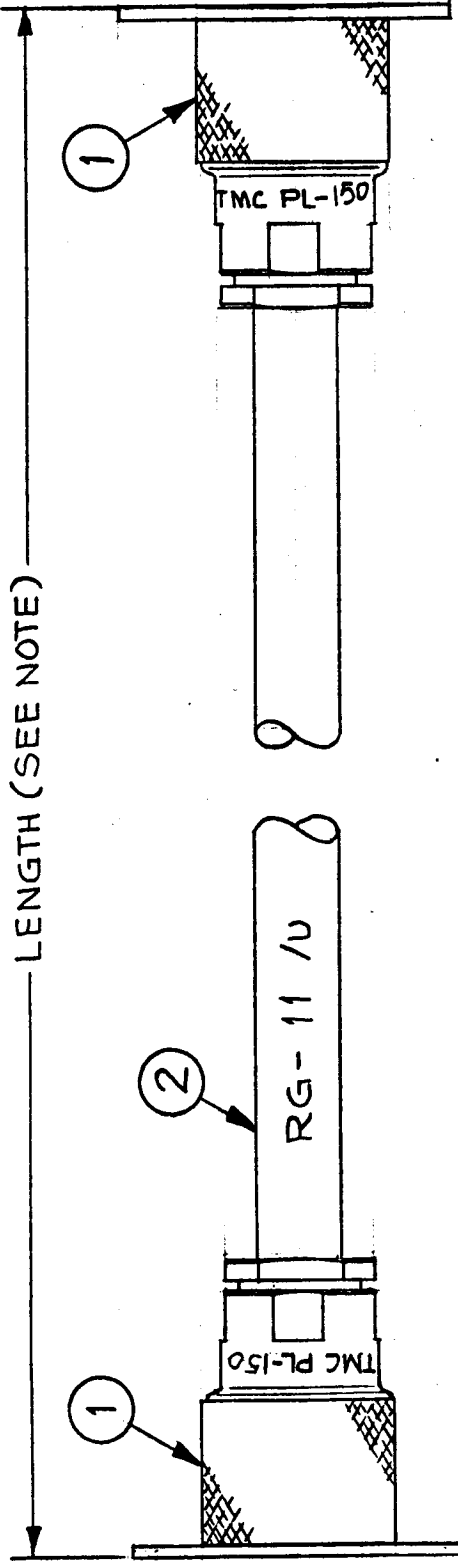


CA-480-18 - "XX"

NOTE: FOR 10 FOOT LENGTHS OR LESS EXPRESS IN INCHES. FOR OVER 10 FOOT LENGTHS EXPRESS IN FEET TO THE NEAREST FOOT OR HALF FOOT USE LETTER "F"

X	2	RG-11/U	CABLE, COAX	
2	1	PL-149	PLUG, CONNECTOR	
REQ. ITEM	PART NO.	MATERIAL	DESCRIPTION	SYMBOL
			MARTINENGO	
			STOCK SIZE	
			THE TECHNICAL MATERIEL CORP. MAMARONECK. NEW YORK	
			CABLE, RF	
			QDS SERIES	
			M.TANTILLO 10-28-63	
			DRAWN	
			CHECKED	
			11/4/63	
			FINAL APPROVAL	
			10/31/63	
			ELEC. DES. APP. MECH. DES. APP.	
			FINISH & SPEC. NO.	
			BA-CA-480	
			CA-480-18	

REQ. PER UNIT	MODEL	USED ON	CA-480-24
		ASSY. NO.	
		DATE	12-31-63



CA-480-24-XX

NOTE: FOR 10 FOOT LENGTHS OR LESS EXPRESS IN INCHES.
 FOR OVER 10 FOOT LENGTHS EXPRESS IN FEET TO THE NEAREST FOOT OR HALF FOOT USE LETTER "F"

X 2	RG-11 /U	CABLE COAX								
2 1	PL-150	PLUG, CONNECTOR								
REQ. ITEM	PART NO.	MATERIAL	STOCK SIZE	SYMBOL						
		THE TECHNICAL MATERIEL CORP.								
		MAMARONECK, NEW YORK								
		CABLE, RF								
		QDS SERIES								
		M. TANTILLO								
		12-31-63								
		DRAWN								
		CHECKED								
		TYPE & TEMPER								
		HEAT TREAT. SPEC.								
		FINISH & SPEC. NO.								
		ELEC. DES. APP.								
		MECH. DES. APP.								
		FINAL APPROVAL								
		BA-CA-480								
		CA-480-24								

UNLESS OTHERWISE SPECIFIED DIMENSIONS ARE IN INCHES AND INCLUDE CHEMICALLY APPLIED OR PLATED FINISHES
 DECIMALS: X ± .05, .XX ± .01, .XXX ± .005
 FRACTIONS: ± 1/64 ANGLES, ± 0° 30'

CA-480

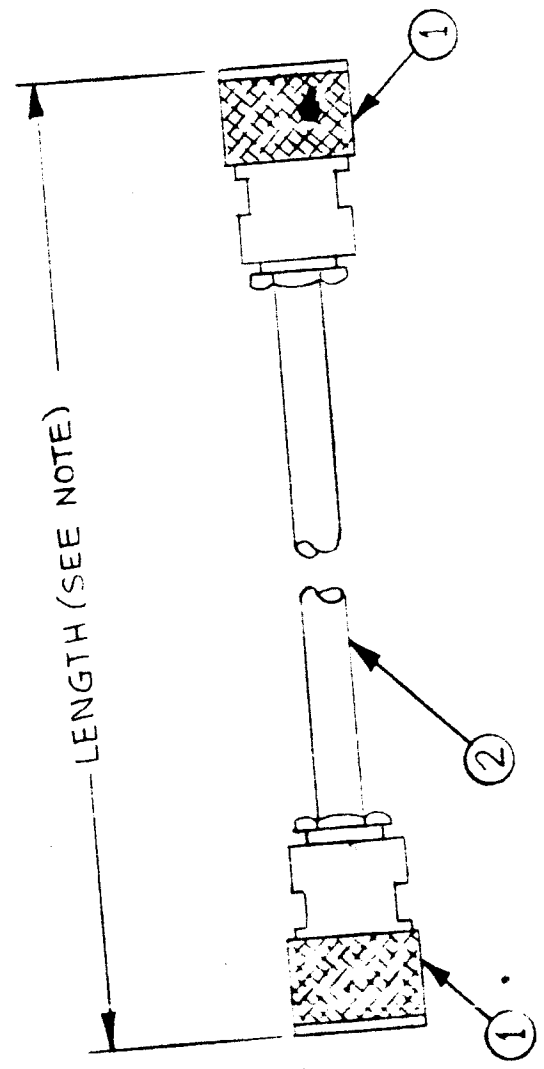
USED ON

DATE
1-29-63

REQ. PER UNIT

MODEL

THE CONTENTS OF THIS DRAWING ARE THE EXCLUSIVE PROPERTY OF THE TECHNICAL MATERIEL CORP. ITS UNAUTHORIZED USE FOR REPRODUCTION IN WHOLE OR IN PART IS STRICTLY FORBIDDEN.



CA-480-36 - XX"

NOTE: FOR 10 FOOT LENGTHS OR LESS EXPRESS IN INCHES. FOR OVER 10 FOOT LENGTHS EXPRESS TO NEAREST FOOT OR HALF FOOT USE LETTER "F"

REQ. ITEM				PART NO.			
X	Z						
Z	1						
MATERIAL							
MATERIAL				STOCK SIZE			
TYPE & TEMPER				HEAT TREAT. SPEC.			
DRAWN				MATERIAL			
CHECKED				FINAL APPROVAL			
M TANTILD				ELEC. DES. APP. CA-480-36			
CABLE, R.F. COAXIAL				THE TECHNICAL MATERIEL CORP. NEW YORK			
PLUG, R.F. CONNECTOR				MAMARONECK. CABLE, R.F.			
MATING ENG. DESCRIPTION				ELEC. DES. APP. MCH. DES. APP			
THE TECHNICAL MATERIEL CORP. MAMARONECK.				OGILVIE PLESS, INC. BROOKLYN 17, N. Y.			
CABLE, R.F.				REPROVAL NO. 400M			

8A-CA-480

UNLESS OTHERWISE SPECIFIED DIMENSIONS ARE IN INCHES AND INCLUDE CHEMICALLY APPLIED OR PLATED FINISHES

DECIMALS X ± .05 FRACTIONS X ± 1/64 ANGLES ± 0° 30'

THE CONTENTS OF THIS DRAWING ARE THE EXCLUSIVE PROPERTY OF THE TECHNICAL MATERIEL CORP. ITS UNAUTHORIZED USE OR REPRODUCTION IN WHOLE OR IN PART IS STRICTLY FORBIDDEN.

REQ. PER UNIT

USED ON

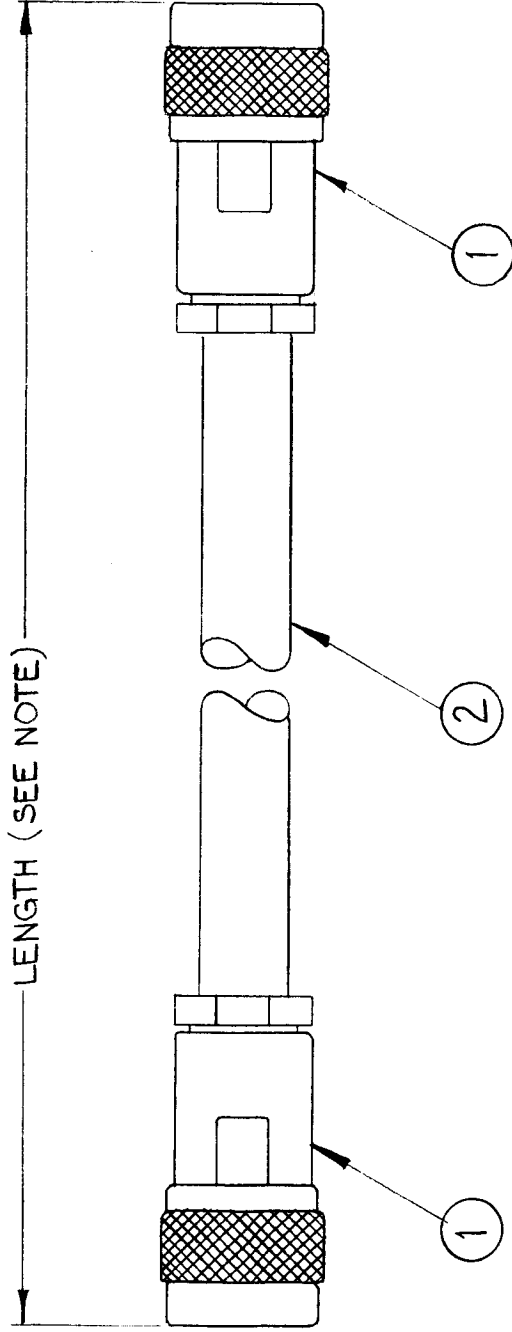
MODEL

ASSY. NO.

DATE

CA-480-57

2-3-62



CA-480-57-XX "

NOTE - FOR 10 FOOT LENGTHS OR LESS EXPRESS IN INCHES. FOR OVER 10 FOOT LENGTHS EXPRESS TO NEAREST FOOT OR HALF FOOT USE LETTER "F".

REQ. ITEM	PART NO.	DESCRIPTION	SYMBOL
X 2	RG-12A/U	CABLE, RF COAXIAL	
2 1	UG-94A/U	PLUG, RF CONNECTOR, N SERIES	
MATERIAL		THE TECHNICAL MATERIEL CORP. MAMARONECK, NEW YORK	
STOCK SIZE		CABLE, RF N SERIES	
DATE		DATE	
CH. NO.		DRAFTS	
CHECKER		ENG. APP.	
DESCRIPTION		SCALE: 4A-CA-480	
UNLESS OTHERWISE SPECIFIED:		MAXIMUM ALLOWABLE TOLERANCES HAVE BEEN DETERMINED AND ANY DEVIATIONS WILL BE CAUSE FOR REJECTION. REMOVE ALL BURRS AND SHARP EDGES	
DIMENSIONS ARE IN INCHES		FRAC. ± 1/64 DEC. ± .005 ANGLES ± 1/2°	
TOLERANCES ON		DRAWN: M.D.F.	
TYPE & TEMPER		CHECKED: J.H.C.	FINAL APPROVAL
HEAT TREAT. SPEC.		MECH. DES. APP. G.M.B.	CA-480-57
FINISH & SPEC. NO.		ELEC. DES. APP.	

THE CONTENTS OF THIS DRAWING ARE THE EXCLUSIVE PROPERTY OF THE TECHNICAL MATERIEL CORP. ITS UNAUTHORIZED USE OR REPRODUCTION IN WHOLE OR IN PART IS STRICTLY FORBIDDEN.

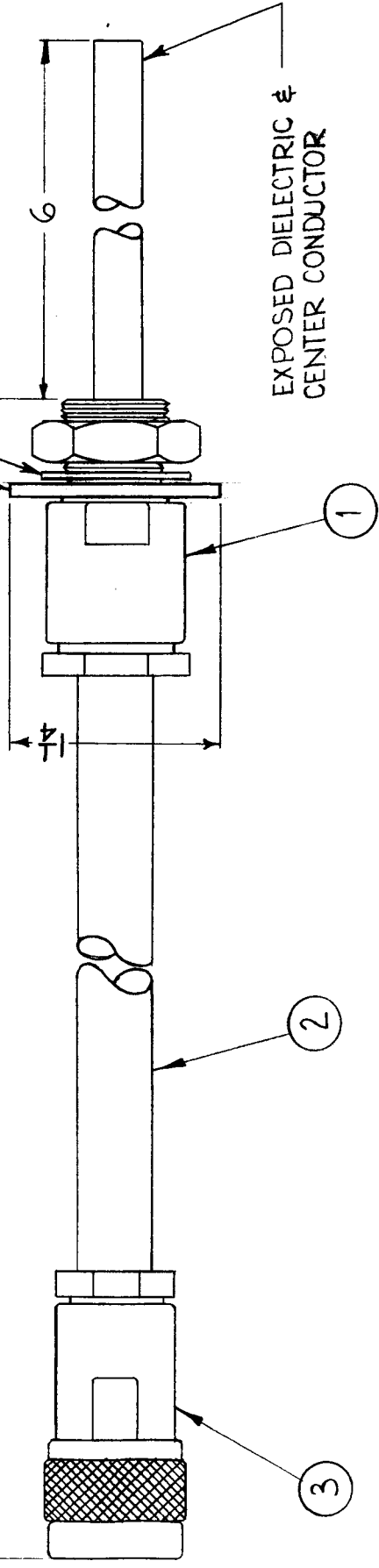
REQ. PER UNIT
MODEL
USED ON
ASSY. NO.
DATE

CA-480-58
A

FLAT WASHER, ALUM. 1 1/4 x 3/32
S404 YELLOW IRIDIOTE

INTERNAL LOCKWASHER

LENGTH (SEE NOTE).



CA-480-58-XX " "

NOTE ~ FOR 10 FOOT LENGTHS OR LESS EXPRESS IN INCHES.
FOR OVER 10 FOOT LENGTHS EXPRESS IN FEET TO THE NEAREST FOOT OR HALF FOOT USE LETTER 'F'.

1	3	UG-94A/U	RF CONNECTOR PLUG, N SERIES
X	2	RG-11A/U	CABLE, R.F. COAXIAL
1	1	MX-1554A/U	ADAPTOR, COAXIAL TERMINATION

REQ. ITEM	PART NO.	DESCRIPTION	SYMBOL
STOCK SIZE		THE TECHNICAL MATERIEL CORP. MAMARONECK, NEW YORK	
MATERIAL		CABLE, R.F. (N SERIES).	
TYPE & TEMPER	HEAT TREAT. SPEC.	DRAWN	CHECKED
FINISH & SPEC. NO.		MECH. DES. APP.	FINAL APPROVAL
		W.A.F.	J.M.
			CA-480-58
			A

DATE	CH. NO.	DRAFTS	CHECKER	ENG. APP.
4-16-63	8745	Z	J.P.F.	D.B.
SCALE: A-CA-480				
UNLESS OTHERWISE SPECIFIED: DIMENSIONS ARE IN INCHES TOLERANCES ON FRAC. ± 1/64 DEC. ± .005 ANGLES ± 1/2°				
MAXIMUM ALLOWABLE TOLERANCES HAVE BEEN DETERMINED AND ANY DEVIATIONS WILL BE CAUSE FOR REJECTION. REMOVE ALL BURRS AND SHARP EDGES				

THE CONTENTS OF THIS DRAWING ARE THE EXCLUSIVE PROPERTY OF THE TECHNICAL MATERIEL CORP. ITS UNAUTHORIZED USE FOR REPRODUCTION IN WHOLE OR IN PART IS STRICTLY FORBIDDEN.

REQ. PER UNIT

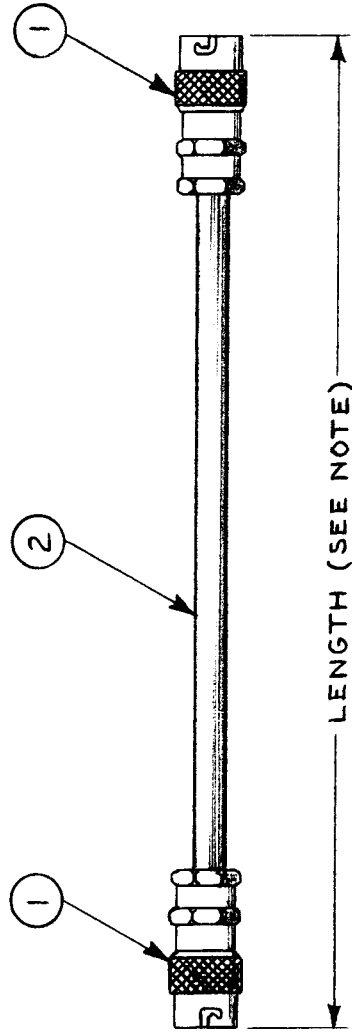
MODEL

USED ON ASSY. NO.

DATE

CA-480-68 A

12-4-62



NOMECLATURE SHALL BE DESIGNATED AS SHOWN IN THE FOLLOWING EXAMPLE.

EXAMPLE:

CA-480-68 XX ""

NOTE - FOR 10 FOOT LENGTHS OR LESS EXPRESS IN INCHES.
FOR OVER 10 FOOT LENGTHS EXPRESS TO NEAREST FOOT OR HALF FOOT USE LETTER "F".

FOR LABEL INSTRUCTIONS SEE S-693 FOR HFS-1 APPLICATION.

LABEL INSTRUCTION NOTE ADDED

6-4-63 9186

DATE CH. NO. DRAFTS CHECKER ENG. APP.

SCALE

UNLESS OTHERWISE SPECIFIED DIMENSIONS ARE IN INCHES AND INCLUDE CHEMICALLY APPLIED OR PLATED FINISHES

DECIMALS
X ± .05
.XX ± .01
.XXX ± .005

TOLERANCES

FRACTIONS
± 1/64
ANGLES,
± 0° 30'

8A-CA-480

CODE

2	RG-174/U	CABLE, RF COAXIAL	SYMBOL
2	PL-204	CONNECTOR PLUG, MINATURE	
REQ. ITEM	PART NO.	DESCRIPTION	SYMBOL
		THE TECHNICAL MATERIEL CORP. MAMARONECK. NEW YORK	
	STOCK SIZE	CABLE, RF	
	MATERIAL	DM SERIES	
	TYPE & TEMPER	DRAWN	
	HEAT TREAT. SPEC.	CHECKED	
	FINISH & SPEC. NO.	ELEC. DES. APP. MECH. DES. APP.	
		FINAL APPROVAL	
		CA-480-68 A	

THE CONTENTS OF THIS DRAWING ARE THE EXCLUSIVE PROPERTY OF THE TECHNICAL MATERIEL CORP. ITS UNAUTHORIZED USE FOR REPRODUCTION IN WHOLE OR IN PART IS STRICTLY FORBIDDEN.

REQ. PER UNIT

USED ON

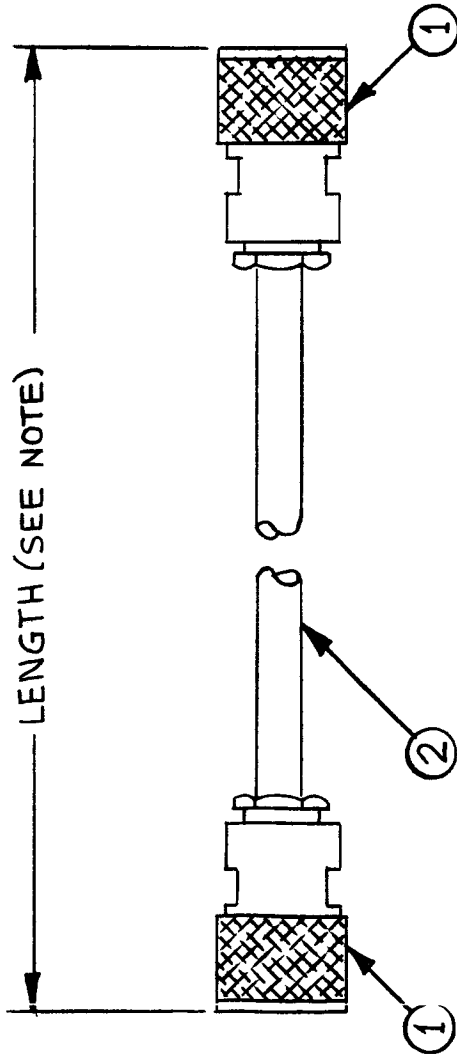
MODEL

ASSY. NO.

DATE

CA-480-70

1-29-63



CA-480-70 - XX " "

NOTE: FOR 10 FOOT LENGTHS OR LESS EXPRESS IN INCHES.
FOR OVER 10 FOOT LENGTHS EXPRESS TO NEAREST FOOT OR HALF FOOT USE LETTER "F"

REQ. ITEM	PART NO.	DESCRIPTION	SYMBOL
X 2	RG-59/U	CABLE, R.F. COAXIAL	
2 1	PL-223	PLUG, R.F. CONNECTOR	
		MARTINENGO	
		THE TECHNICAL MATERIEL CORP. MAMARONECK, NEW YORK	
		CABLE, R.F.	
		QDM SERIES	
		MTANTILD	
		DRAWN	
		CHECKED	
		ELEC. DES. APP.	
		MICH. DES. APP.	
		FINISH & SPEC. NO.	
		TYPE & TEMPER	
		HEAT TREAT. SPEC.	
		MATERIAL	
		STOCK SIZE	
		FINAL APPROVAL	
		CA-480-70	

SCALE

UNLESS OTHERWISE SPECIFIED DIMENSIONS ARE IN INCHES AND INCLUDE CHEMICALLY APPLIED OR PLATED FINISHES

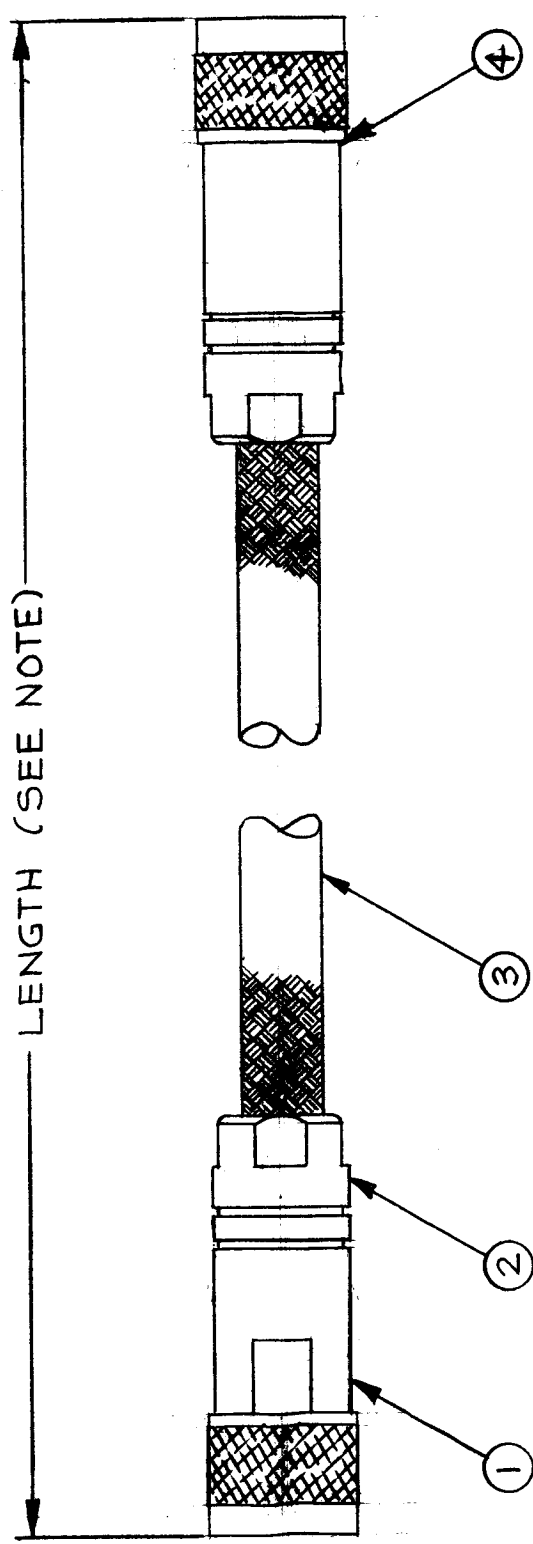
DECIMALS
X ± .05
XX ± .01
XXX ± .005

FRACTIONS
± 1/64
ANGLES,
± 0° 30'

8A-CA-480

THE CONTENTS OF THIS DRAWING ARE THE EXCLUSIVE PROPERTY OF THE TECHNICAL MATERIEL CORP. ITS UNAUTHORIZED USE FOR REPRODUCTION IN WHOLE OR IN PART IS STRICTLY FORBIDDEN.		REQ. PER UNIT	MODEL	USED ON ASSY. NO.	DATE	CA-480-81	A
					11-15-62		

STANDARD DRAWING



CA-480-81-XX " "

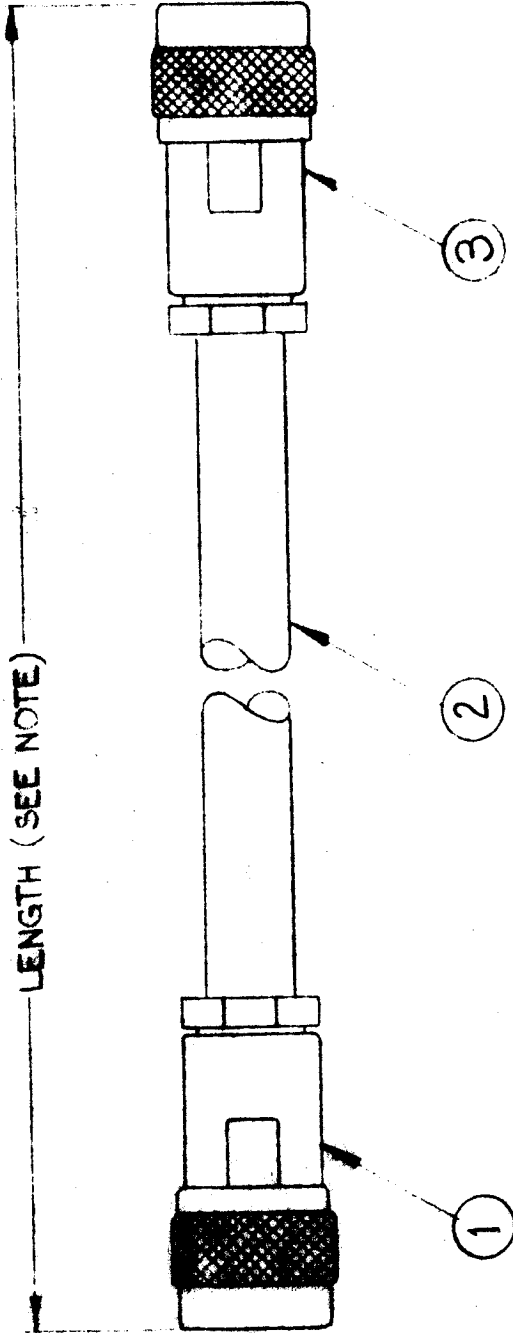
NOTE: FOR 10 FOOT LENGTHS OR LESS EXPRESS IN INCHES. FOR OVER 10 FOOT LENGTHS EXPRESS TO NEAREST FOOT OR HALF FOOT USE LETTER "F"

1	4	UG-94 A/U	PLUG, RF CONNECTOR
X	3	RG-12A/U	CABLE, RF COAXIAL
	1	MX-1286/U	NUT, ARMOR
	1	UG-21 P/U	PLUG, RF CONNECTOR

REQ. ITEM	PART NO.	MARTINENGD	DESCRIPTION	SYMBOL
			THE TECHNICAL MATERIEL CORP. MAMARONECK. NEW YORK	
			CABLE, RF	
			"N" SERIES	
		M.J. TANTILLO	DRAWN	
			CHECKED	
			HEAT TREAT. SPEC	
			FINISH & SPEC. NO.	
			8A-CA-480	

SYM	DESCRIPTION	DATE	CH. NO.	DRAFTS	CHECKER	ENG. APP.
A	TITLE WAS QDS SERIES ITEM 4 ADDED ITEM 2 WAS NT 135 (2 REQ) ITEM 1 WAS PL-149 (2 REQ)	12/21/62	79	MJT		
	UNLESS OTHERWISE SPECIFIED DIMENSIONS ARE IN INCHES AND INCLUDE CHEMICALLY APPLIED OR PLATED FINISHES					
	TOLERANCES					
	FRACTIONS					
	± .05					
	.XX ± .01					
	.XXX ± .005					
	ANGLES					
	± 0° 30'					

CA-480-94

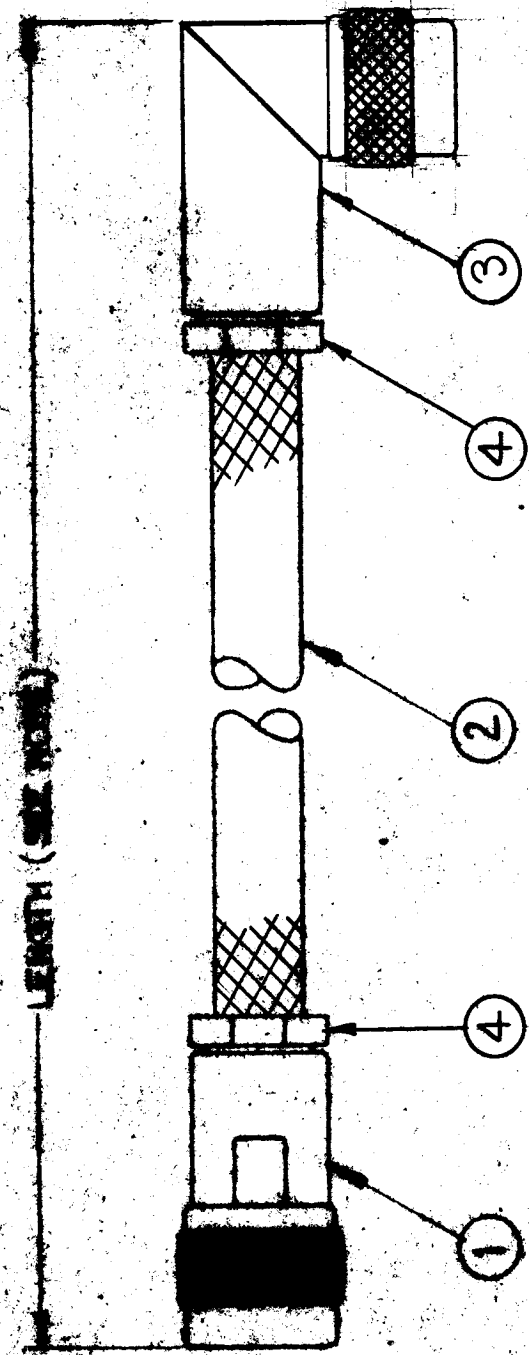


CA-480-94-XX "

NOTE - FOR 10 FOOT LENGTHS OR LESS EXPRESS IN INCHES. FOR OVER 10 FOOT LENGTHS EXPRESS TO NEAREST FOOT OR HALF FOOT USE LETTER "F".

1	3	UG-21B/U	PLUG, R.F. CONNECTOR, "N" SERIES
X	2	RG-11A/U	CABLE, RF COAXIAL
1	1	UG-94A/U	PLUG RF CONNECTOR, "N" SERIES
REQ. ITEM	PART NO.	DESCRIPTION	FINISH
		THE TECHNICAL MATERIAL COMP.	
		MANHATTAN, NEW YORK	
		CABLE, RF	
		N SERIES	
		M.D.F.	DM
		YDR	
		GMB	CA-480-94
		TYPE & TENSILE TREATMENT	
		FINISH & SPEC. NO.	

DATE	CH. NO.	DRAFTS	DESIGN	ENGR. APP.
SCALE: 4A-CA-480				
DRAWING DIMENSIONS UNLESS OTHERWISE SPECIFIED HAVE TOLERANCES AND FITS UNLESS OTHERWISE SPECIFIED WILL BE GIVEN FOR INFORMATION. REMOVE ALL BURRS AND SHARP EDGES				
UNLESS OTHERWISE SPECIFIED:				
DIMENSIONS ARE IN INCHES				
TOLERANCES ON				
FRACTIONS ARE ± .005 ANGLES ± 1/30				

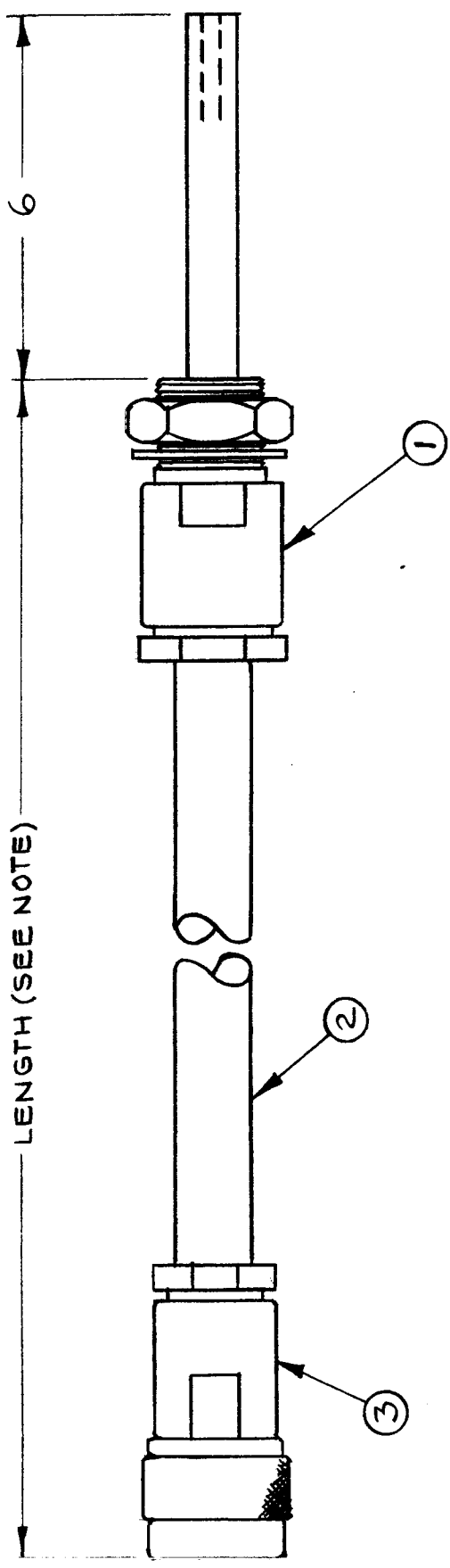


CA-480-95 XX"

NOTE - FOR 10 FOOT LENGTHS OR LESS
 EXPRESS IN INCHES.
 FOR OVER 10 FOOT LENGTHS EXPRESS
 TO NEAREST FOOT OR HALF FOOT USE
 LETTER "F".

2	4	MX-1286	CLAMP, ARMOR
1	3	UG-594A/U	PLUG, CONNECTOR, RIGHT ANGLE 50- Ω
X	2	RG-31A/U	CABLE, RF COAXIAL, 70- Ω
1	4	UG-93A/U	PLUG, RF CONNECTOR, SERIES, 70- Ω

REQ. PER UNIT		USED ON	
MODEL		ASSY. NO.	
DATE		CA480-118	



CA 480-118 - XX

NOTE: FOR 10 FOOT LENGTHS OR LESS EXPRESS IN INCHES.
 FOR OVER 10 FOOT LENGTHS EXPRESS IN FEET TO THE NEAREST FOOT OR HALF FOOT USE LETTER "F".

SYM	DESCRIPTION	DATE	CH. NO.	DRAFTS	CHECKER	ENG. APP.
Ø	ORIGINAL RELEASE FOR PRODUCTION	11-20-64	Ø	JL		
X	EXPER. RELEASE	11-20-64	-	JAB		
UNLESS OTHERWISE SPECIFIED DIMENSIONS ARE IN INCHES AND INCLUDE CHEMICALLY APPLIED OR PLATED FINISHES		SCALE		NONE		
TOLERANCES		CODE		A		
DECIMALS X ± .05 .XX ± .01 .XXX ± .005		FRACTIONS ± 1/64 ANGLES ± 0° 30'				

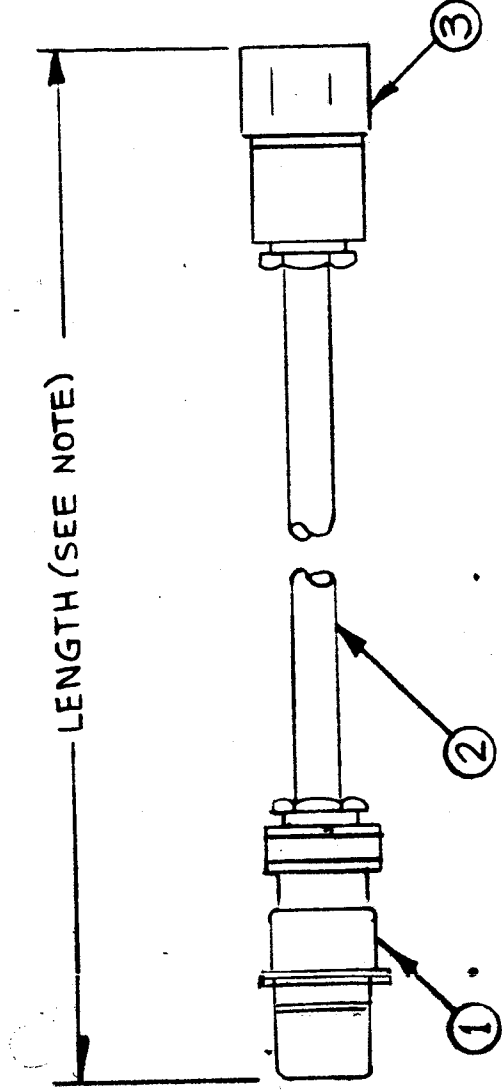
1	3	UG21 D/U	RF CONNECTOR PLUG, N SERIES	SYMBOL
X	2	RG11 A/U	CABLE, RF COAXIAL	
1	1	MX-1554 A/U	ADAPTOR, COAX. TERMINATION	
REQ. ITEM	PART NO.	DESCRIPTION		
		THE TECHNICAL MATERIEL CORP. MAMARONECK. NEW YORK		
	STOCK SIZE	CABLE R.F. (N-SERIES)		
	MATERIAL			
	TYPE & TEMPER	11-20-64	DRAWN	CHECKED
	HEAT TREAT. SPEC.	JAB	JAB	FINAL APPROVAL
FINISH & SPEC. NO.		ELEC. DES. APP. MECH. DES. APP.		
		CA480-118		

CA-480-119 ϕ

USED ON
 ASSY. NO.
 DATE
 1-29-63

REC. PER UNIT
 MODEL

THE CONTENTS OF THIS DRAWING ARE THE EXCLUSIVE PROPERTY OF THE TECHNICAL MATERIEL CORP. ITS UNAUTHORIZED USE FOR REPRODUCTION IN WHOLE OR IN PART IS STRICTLY FORBIDDEN.



CA-480-119 - XX" "

NOTE: 1 FOR 10 FOOT LENGTHS OR LESS EXPRESS IN INCHES.
 FOR OVER 10 FOOT LENGTHS EXPRESS TO NEAREST FOOT OR HALF FOOT USE LETTER "F"

1	3	UG-154/U	PLUG	CONNECTOR	
X	2	RG-218/U	CABLE, R.F.	COAXIAL	
1	1	PL-136	PLUG, R.F.	CONNECTOR	

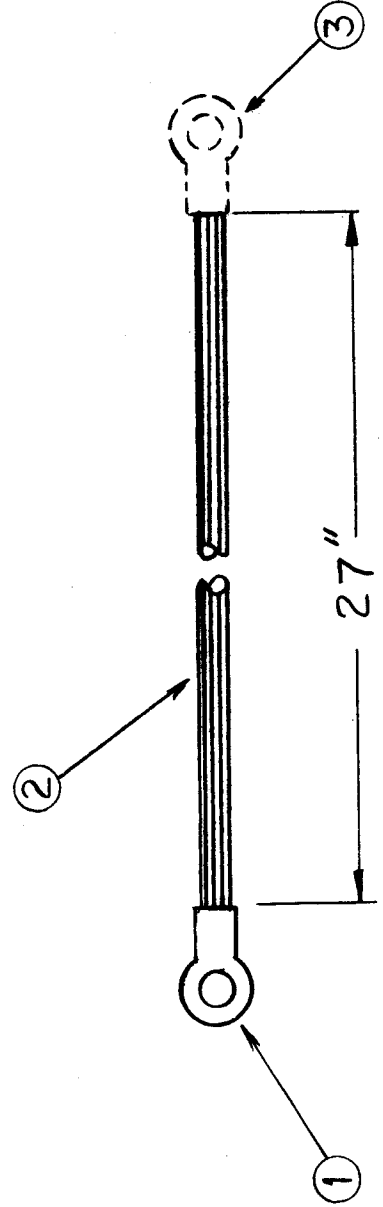
REQ. ITEM	PART NO.	MARTINENGO DESCRIPTION	SYMBOL
		THE TECHNICAL MATERIEL CORP. MAMARONECK, NEW YORK	
		CABLE, R.F.	
		QDL/LC SERIES	
		U220	
		DRAWN	CHECKED
		TYPE & TEMPER	HEAT TREAT. PEC
		FINISH & SPEC. NO.	CA-480-119 ϕ

DATE	CH. NO.	DRAFTS	CHECKER	ENG. APP.
SCALE				
UNLESS OTHERWISE SPECIFIED DIMENSIONS ARE IN INCHES AND INCLUDE DECIMALS				
TOLERANCES				
FRACTIONS				
± 1/64				
ANGLES				
± 0° 30'				
8A-CA-480				

CA-484 C

REQ. PER UNIT	MODEL	USED ON	DATE
1	TU-2	ASST. NO.	8-26-59

TNC PART NO	ITEM 1	ITEM 3
CA484-1	TE158-G73	H
CA484-2	TE158-G73	TE158-G73

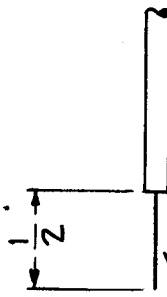
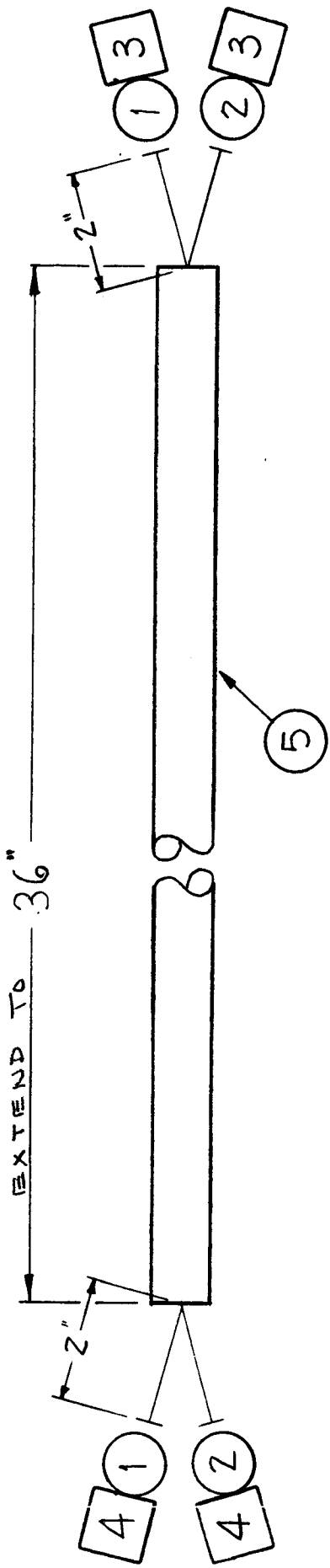


1	3	SEE CHART	TERMINAL, SOLDERLESS
X 2		WIRE	
1	1	SEE CHART	TERMINAL, SOLDERLESS
REG. ITEM	PART NO.	DESCRIPTION	SYMB L
		THE TECHNICAL MATERIEL CORP.	
		MAMARONECK, NEW YORK	
		ANTENNA, CABLE	
		MATERIAL	
		J.C. Biele	ARP
		DRAWN	CHECKED
		HEAT TREAT. SPEC.	FINAL APPR VAL
		FINISH & SPEC. NO.	CA-484 D

D	CHANGE ITEM 2 FROM W106-1 TO HNCG(137) 490	1-4-60	Z1757	MAC	FB	
C	CHART ADDED	11/1/75	21334	CL	CL	
B	WL-106-1 WAS W1104-1 TE-158-G73 WAS TE-158-306	3.17.63	11045	AMB	@	
A	Dim: 27" WAS 30"	1/30/63	8098	G.O.C	W	
ISSUE ITEM	CHANGED FROM	DATE	CH. NO.	DRAFTS	CHECKER	ENG. APP.
TOLERANCES						
SCALE: DO NOT SCALE						
MAXIMUM ALLOWABLE TOLERANCES HAVE BEEN DETERMINED AND ANY DEVIATION WILL BE CAUSE FOR REJECTION. REMOVE ALL BURRS AND SHARP EDGES						
DEC. DIM. ±						
FRAC. DIM. ±						
ANGULAR DIM. ±						

CA-486 A

REQ. PER. UNIT	M DEL	USED ON
1	SBT-1K	ASSY. N .
		DATE
		9-17-59



NOTE - STRIP
1/2" BEYOND NAIL
DRIVING POINT

This equals This

REQ. ITEM	PART NO.	DESCRIPTION	SYMBOL
X 6	BS-100	SOLDER, SOFT	
48"	PX-100-1-250	INSULATION, SLEEVING	
Z 4	TE-149-144	LUG, SOLDER	
Z 3	TE-120-2	LUG, SPADE	
51	MWC16(19)U3	CABLE, INSULATED	Orange
51	MWC16(19)UZ	CABLE, INSULATED	Red

THE TECHNICAL MATERIEL CORP.	
MAMARONECK, NEW YORK	
CABLE, ASSEMBLY	
UTILITY POWER CABLE	
J.C. Biele	CHKD
DRAWN	CHECKED
TYPE & TEMPER	HEAT TREAT. SPEC.
FINISH & SPEC. NO.	ELEC DES. APP. MECH. DES. APP.

DATE 1/18/60
CH. NO. 1780
CHECKER H. H. H. APP.

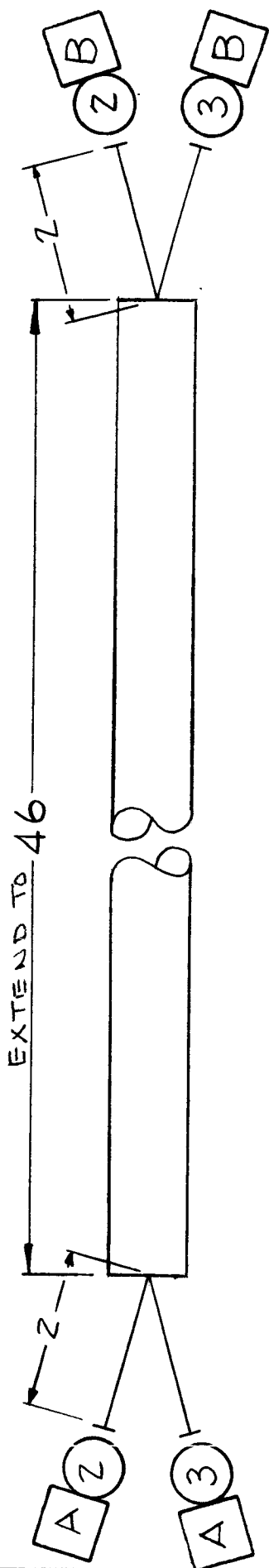
SCALE: DO NOT SCALE

MAXIMUM ALLOWABLE TOLERANCES HAVE BEEN DETERMINED AND ANY DEVIATIONS WILL BE CAUSE FOR REJECTION. REMOVE ALL BURRS AND SHARP EDGES

TOLERANCES

DEC. DIM. ±
FRAC. DIM. ±
ANGULAR DIM. ±

REQ. PER. UNIT	MODEL	USED ON
1	SBT-1K	ASSY. N.
		DATE
		9-18-59
		CA-488
		A



TMC PT. NO.	A	B
CA-488-1	TE-112-Z	TE-112-Z
CA-488-2	TE-112-Z	TE-159-34161

NOTE - STRIP & TIN 1/2" BEYOND NAIL DRIVING POINT.

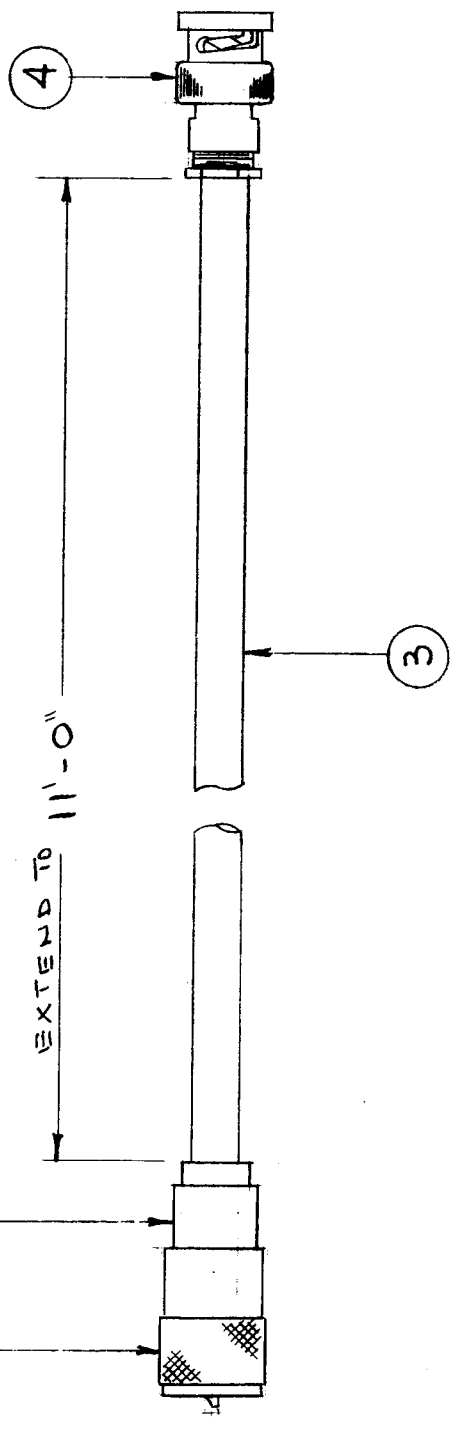
This equals This

DEC 7 1960

OBsolete

4	BS100	SOLDER, SOFT																				
51	3	HWC14(19)J90	CABLE, INSULATED (FIBER GLASS)	WH/BLU																		
51	2	HWC14(19)J9	CABLE, INSULATED (FIBER GLASS)	WHITE																		
46	1	PX-100-1:500	INSULATION, SLEEVING	Black																		
REQ. ITEM	PART NO.	DESCRIPTION		SYMBOL																		
		THE TECHNICAL MATERIEL CORP.																				
		MAMARONECK, NEW YORK																				
		CABLE ASSY, POWER STRIP																				
MATERIAL				J.C. Birole																		
HEAT TREAT. SPEC.				CHECKED																		
FINISH & SPEC. NO.				CA-488																		
TOLERANCES				DO NOT SCALE																		
DEC. DIM. ±				MAXIMUM ALLOWABLE TOLERANCES HAVE BEEN DETERMINED AND ANY DEVIATIONS WILL BE CAUSE FOR REJECTION. REMOVE ALL BURRS AND SHARP EDGES																		
FRAC. DIM. ±																						
ANGULAR DIM. ±																						
ISSUE ITEM	CHANGED FROM	DATE	CH. NO.	DRAFTS	CHECKER	ENG. APP.																
A	17-2 WAS MWC 14(19)J90 17-3 WAS MWC 14(19)J90	7/60/59	1353	AKC	HR	AMS																
TYPE & TEMPER				J.C. Birole																		
DRAWN				AMS																		
ELEC. DES. APP. MECH. DES. APP.				CA-488																		
FINAL APPROVAL				A																		

REQ. PER. UNIT	MODEL	USED ON
1	SBT-1K	ASSY. NO.
		DATE
		9-17-59
		CA-489
		A



REQ. ITEM	PART NO.	DESCRIPTION	SYMBOL
1	4	UG-260/U	
10-0	3	RG-59/U	
1	2	UG-176/U	
1	1	PL-255A-MKA	
		PLUG, CONNECTOR (BNC)	
		CABLE, R.F.	
		ADAPTER	
		PLUG, CONNECTOR	
		THE TECHNICAL MATERIEL CORP.	
		MAMARONECK, NEW YORK	
		CABLE, ASSY	
		SBE TO RFD, RF CABLE	
		1021423	
		9-17-59	
		DRAWN	
		CHECKED	
		FINAL APPROVAL	
		ELEC. DES. APP. MECH. DES. APP.	
		FINISH & SPEC. NO.	
		CA-489	
		A	

DEC. DIM. ±	FRAC. DIM. ±	ANGULAR DIM. ±
12-10	1655	11-0" WAS 10'-0"
59		
DATE	CH. NO.	DRAFTS
CHECKER	ENG. APP.	
TOLERANCES		
SCALE:		
MAXIMUM ALLOWABLE TOLERANCES HAVE BEEN DETERMINED AND ANY DEVIATIONS WILL BE CAUSE FOR REJECTION. REMOVE ALL BURRS AND SHARP EDGES		