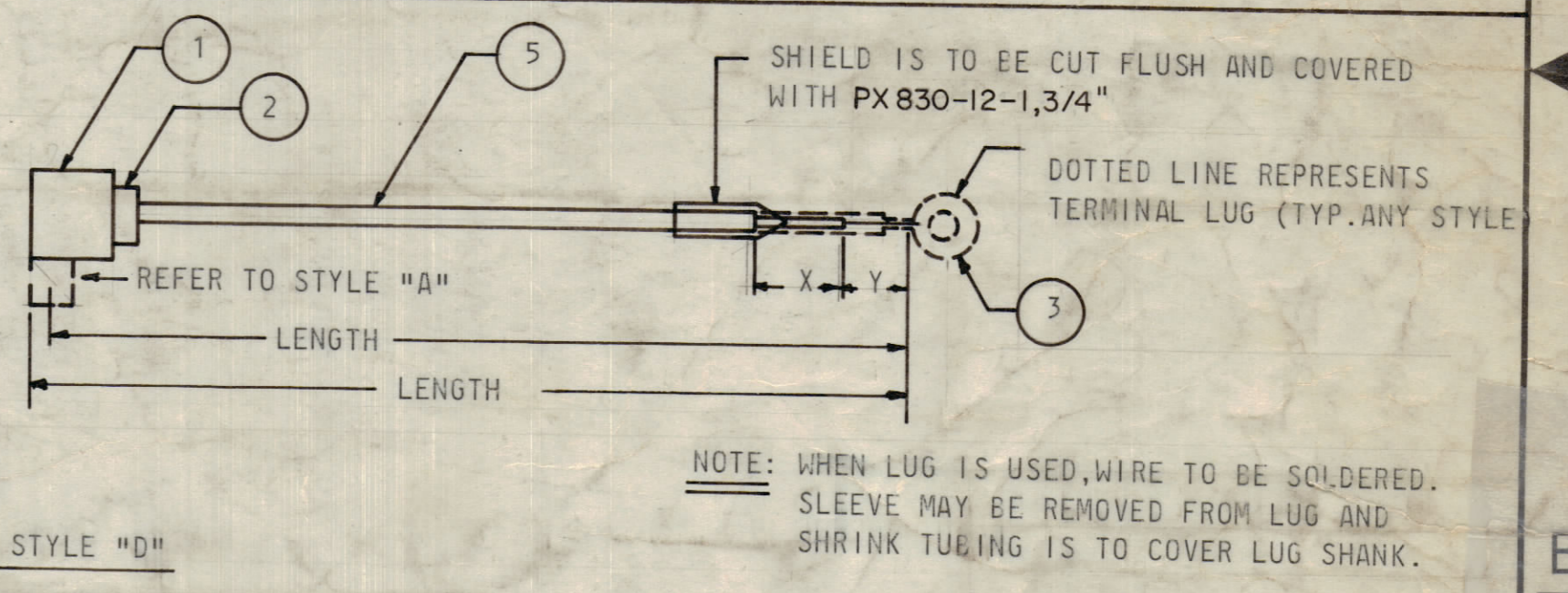
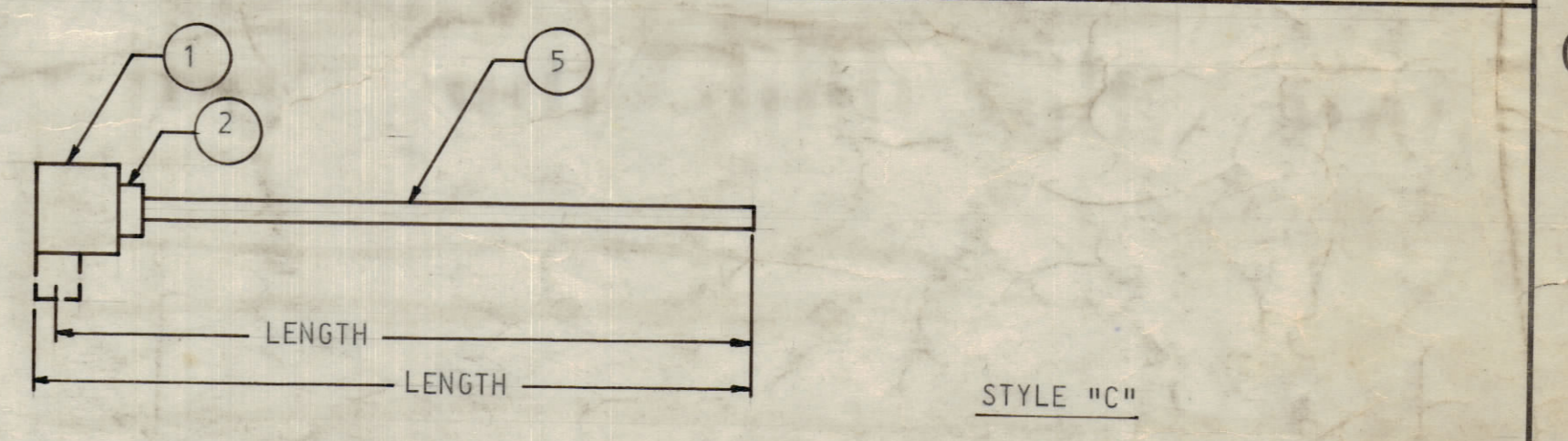
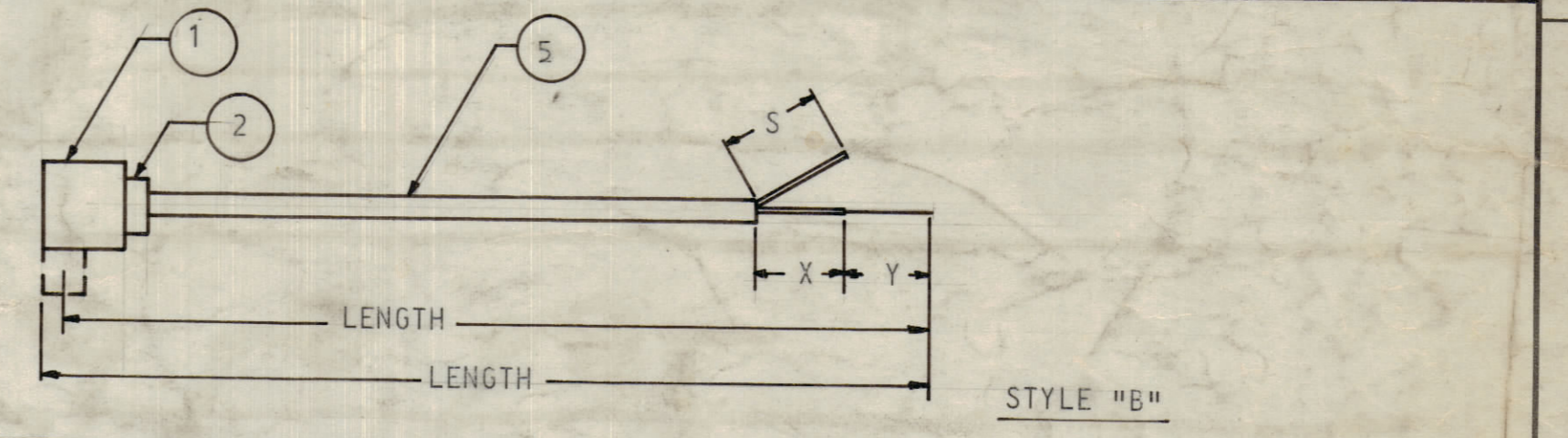
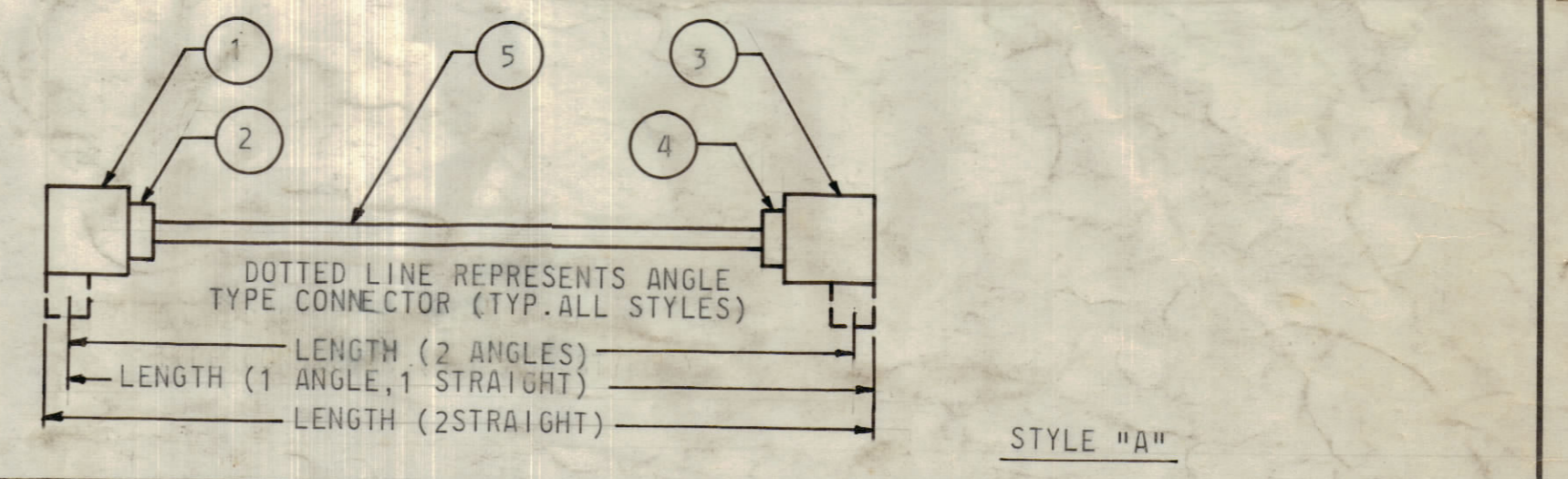


TMC PART NO.	REFER TO PICTORIAL STYLE	ITEM 1		ITEM 2		ITEM 3		ITEM 4		ITEM 5		STYLE 'B' DIMENSIONS			REFER TO WIRING SPEC. NO.	REMARKS
		(CONNECTOR)	SERIES	(ADAPTER)	(CONNECTOR)	SERIES	(ADAPTER)	(CABLES)	QMS	X	Y	S				
CA-480-1	A	UG-603/U	N	N/A	UG-603/U	N	N/A	RG-59/U	70						S-	
CA-480-2	A	UG-603/U	N	N/A	UG-260/U	BNC	N/A	RG-59/U	70						S-	
CA-480-3	A	PL-244-1	BNC	N/A	PL-244-1	BNC	N/A	RG-174/U	50						S-	SEE 1 SIZE DWG
CA-480-4	A	UG-603/U	N	N/A	PL-259A/TEF	UHF	UG-176/U	RG-59/U	70						S-	BULKHEAD MOUNTING
CA-480-5	A	UG-88/U	BNC	N/A	UG-88/U	BNC	N/A	RG-59/U	50						S-	
CA-480-6	A	UG-260/U	BNC	N/A	UG-260/U	BNC	N/A	RG-59/U	70						S-	
CA-480-7	A	PL-259A/TEF	UHF	UG-176/U	PL-259A/TEF	UHF	UG-176/U	RG-59/U	70						S-	FORMERLY CA-107
CA-480-8	A	UG-260/U	BNC	N/A	UG-910/U	BNC	N/A	RG-59/U	70						S-	
CA-480-9	A	UG-260/U	BNC	N/A	PL-259A/TEF	UHF	UG-176/U	RG-59/U	70						S-	
CA-480-10	A	UG-261/U	BNC	N/A	PL-259A/TEF	UHF	UG-176/U	RG-59/U	70						S-	
CA-480-11	A	UG-21B/U	N	N/A	PL-259A/TEF	UHF	N/A	RG-11/U	70						S-	UG-261/U JACK
CA-480-12	A	PL-150	QDS	N/A	PL-259A/TEF	UHF	N/A	RG-11/U	70						S-	
CA-480-13	A	UG-61B/U	HEADSET	N/A	PL-259A/TEF	UHF	N/A	RG-11/U	70						S-	QDS-W/FACE WASHER
CA-480-14	B	JJ-172	BNC	N/A	N/A	N/A	N/A	RG-174/U	50	1/2	1/4	1			S-581	BNC-BULKHEAD JACK REPLACES CAB81
CA-480-15	A	JJ-172	BNC	N/A	PL-244-1	BNC	N/A	RG-174/U	50						S-	BNC-BULKHEAD JACK SEE CA-480-3
CA-480-16	A	PL-149	QDS	*NT-134	PL-149	QDS	*NT-134	RG-8/U	50						S-	FORMERLY CA-382
CA-480-17	A	PL-149	QDS	*NT-134	PL-149	QDS	*NT-134	RG-11/U	70						S-	FORMERLY CA-323-S
CA-480-18	A	PL-157	QDS	N/A	PL-157	QDS	N/A	RG-59/U	70						S-	FORMERLY CA-374
CA-480-19	A	PL-149	QDS	*NT-134	PL-149	QDS	*NT-134	RG-216/U	70						S-	
CA-480-20	A	PL-149	QDS	*NT-135	PL-149	QDS	*NT-135	RG-8/U	50						S-	
CA-480-21	A	PL-149	QDS	*NT-135	PL-149	QDS	*NT-135	RG-12/U	70						S-	
CA-480-22	A	PL-150	QDS	*NT-134	PL-150	QDS	*NT-134	RG-8/U	50						S-	QDS-W/FACE WASHER
CA-480-23	A	PL-150	QDS	*NT-134	PL-150	QDS	*NT-134	RG-11/U	70						S-	FORMERLY CA-343
CA-480-24	A	PL-161	QDS	*NT-134	PL-161	QDS	*NT-134	RG-8/U	50						S-	FORMERLY CA-631
CA-480-25	A	PL-161	QDS	*NT-134	PL-161	QDS	*NT-134	RG-11/U	70						S-	FORMERLY CA-368
CA-480-26	A	PL-159	QDS	*NT-134	PL-159	QDS	*NT-134	RG-8/U	50						S-	ANGLE W/FACE WASHER
CA-480-27	A	PL-159	QDS	*NT-134	PL-159	QDS	*NT-134	RG-11/U	70						S-	ANGLE W/FACE WASHER FORMERLY CA-366
CA-480-28	A	PL-159	QDS	*NT-134	PL-159	QDS	*NT-134	RG-8/U	50						S-	QDS-W/FACE WASHER FORMERLY CA-631
CA-480-29	A	PL-149	QDS	*NT-134	PL-259A/TEF	UHF	N/A	RG-11/U	70						S-	
CA-480-30	A	PL-149	QDS	*NT-134	PL-259A/TEF	UHF	N/A	RG-8/U	50						S-	
CA-480-31	A	PL-259A/TEF	UHF	N/A	PL-259A/TEF	UHF	N/A	RG-8/U	50						S-	
CA-480-32	A	PL-259A/TEF	UHF	N/A	PL-259A/TEF	UHF	N/A	RG-11/U	70						S-	
CA-480-33	A	UG-573A/U	C	N/A	UG-573A/U	C	N/A	RG-8/U	50						S-	
CA-480-34	A	UG-21B/U	N	N/A	UG-21B/U	N	N/A	RG-8/U	50						S-	
CA-480-35	A	UG-94A/U	N	N/A	UG-94A/U	N	N/A	RG-11/U	70						S-	
CA-480-36	A	UG-59B/U	HN	N/A	UG-59B/U	HN	N/A	RG-8/U	50						S-	
CA-480-37	A	PL-136	QDL	N/A	PL-136	QDL	N/A	RG-17/U	50						S-	FORMERLY CA-451
CA-480-38	A	PL-136	QDL	N/A	PL-136	QDL	N/A	RG-164/U	70						S-	FORMERLY CA-323-L
CA-480-39	A	PL-141	QDL	N/A	PL-141	QDL	N/A	RG-17/U	50						S-	
CA-480-40	A	PL-141	QDL	N/A	PL-141	QDL	N/A	RG-164/U	70						S-	
CA-480-41	A	PL-149	QDS	*NT-134	UG-59B/U	HN	N/A	RG-11/U	70						S-	FORMERLY CA-373
CA-480-42	A	PL-150	QDS	*NT-134	UG-21B/U	N	N/A	RG-9/U	50						S-	
CA-480-43	A	PL-150	QDS	*NT-134	PL-150	QDS	*NT-134	RG-216/U	70						S-	FORMERLY CA-610
CA-480-44	A	PL-150	QDS	*NT-134	UG-59B/U	HN	N/A	RG-8/U	50						S-	
CA-480-45	A	PL-149	QDS	*NT-134	UG-59B/U	HN	N/A	RG-8/U	50						S-	
CA-480-46	A	PL-156	QDS	N/A	PL-156	QDS	N/A	RG-55/U	50						S-	
CA-480-47	A	SA-114	ES	N/A	UG-94A/U	N	N/A	RG-11/U	70						S-	
CA-480-48	A	SA-114	ES	N/A	PL-149	QDS	*NT-135	RG-12/U	70						S-	
CA-480-49	A	PL-141	QDL	N/A	UG-154/U	LC	N/A	RG-17/U	90						S-	
CA-480-50	A	PL-149	QDS	*NT-134	PL-149	QDS	*NT-134	RG-214/U	50						S-	
CA-480-51	A	PL-136	QDL	N/A	PL-141	QDL	N/A	RG-17/U	50						S-	
CA-480-52	A	SA-113	CABLE REFLECTOR	N/A	PL-149	QDS	*NT-134	RG-12A/U	70						S-	
CA-480-53	A	PL-141	QDL	N/A	PL-197	LC	N/A	RG-218/U	50						S-	
CA-480-54	A	PL-149	QDS	*NT-134	PL-149	QDS	*NT-134	KS-8086							S-	FEDERAL CABLE KS8086
CA-480-55	A	PL-149	QDS	*NT-134	PL-150	QDS	*NT-134	RG-11/U	70						S-	
CA-480-56	A	PL-156	QDS	N/A	PL-156	QDS	N/A	RG-58/U	50						S-	
CA-480-57	A	UG-94A/U	N	MX-564A/U	UG-94A/U	N	MX-564A/U	RG-12/U	70						S-	
CA-480-58	A	UG-94A/U	N	N/A	MX-1554A/U	N	N/A	RG-11/U	70						S-	SEE 1 SIZE DWG
CA-480-59	A	PL-141	QDL	N/A	PL-197	LC	N/A	RG-164/U	70						S-	SEE 1 SIZE DWG
CA-480-60	A	UG-943B/U	C	N/A	UG-943B/U	C	N/A	RG-11/U	70						S-	
CA-480-61	A	PL-136	QDL	N/A	UG-154/U	LC	N/A	RG-164/U	70						S-	
CA-480-62	A	PL-149	QDS	*NT-134	PL-150	QDS	*NT-134	RG-8/U	50						S-	SEE CA-543
CA-480-63															S-	SEE CA-480-74
CA-480-64	A	UG-21B/U	N	N/A	PL-149	QDS	*NT-134	RG-8/U	50						S-	
CA-480-65	A	PL-149	QDS	*NT-134	MX-1554A/U	N	N/A	RG-11/U	70						S-	
CA-480-66	A	UG-21B/U	N	N/A	PL-149	QDS	*NT-134	RG-11/U	70						S-	
CA-480-67	A	UG-573A/U	C	N/A	PL-259A/TEF	UHF	N/A	RG-8/U	50						S-	
CA-480-68	A	PL-204	QDM	N/A	PL-204	QDM	N/A	RG-174/U	50						S-	
CA-480-69	A	PL-224	QDM	N/A	PL-224	QDM	N/A	RG-58/U	50						S-	
CA-480-70	A	PL-223	QDM	N/A	PL-223	QDM	N/A	RG-59/U	70						S-	SEE 1 SIZE DWG
CA-480-71	B	PL-204	QDM	N/A	N/A	N/A	N/A	RG-174/U	50	1/2	1/4	1			S- 693	
CA-480-72	A	PL-203	QDL (F)	N/A	PL-203	QDL (F)	N/A	RG-174/U	50						S-	

REVISIONS							
ZONE	LTR	DESCRIPTION	DATE	E.M.N.O.	DRAFT	CHKD	APPD
	FL	ON CA480-21 IT WAS RG10/U	2-22-78	21025	GE	ED	EV
	BM	SEE SHT 2	4/17/73	21055	GE	ED	EV
	BN	SEE SHT 2	9-26-74	21172	GDL	ED	EV
	BP	SEE SHT 2	8-16-75	21252	GDL	ED	EV
	BR	SEE SHT 2	4/4/75	21317	CL	ED	EV
	BS	SEE SHT 2	1-11-83	21992	HS	ED	EV

ZONE	LTR	DESCRIPTION	DATE	E.M.N.O.	DRAFT	CHKD	APPD
	BR	SEE SHEET 2	9-11-68	19025	HS	ED	EV
	BS	SEE SHEET 2		19678	CV	ED	EV
	BT	SEE SHEET 2	8-5-71	19939	GE	ED	EV
	BK	SEE SHEET 2	4/17/73	21055	GE	ED	EV



* OR * INDICATES THAT THESE ADAPTERS ARE PURCHASED AS PART OF CONNECTOR (ITEM 1 AND/OR 5)
N/A= NOT APPLICABLE (NONE USED)

THIS DRAWING IS FOR PRODUCTION USE ONLY. NOT FOR OUTSIDE DISTRIBUTION. FOR EXTERNAL USE, SEE APPROPRIATE ONE SIZE DRAWING.

NOMENCLATURE SHALL BE DESIGNATED AS SHOWN IN THE FOLLOWING EXAMPLES:	
CA-480-1-LENGTH	TOLERANCE CHART (LENGTH)
TMC PART NO (SEE CHART)	1" TO 24" ± 3/16"
	25" TO 72" ± 3/8"
	73" TO 119" ± 1/2"

FOR 10 FOOT LENGTHS OR LESS, EXPRESS IN INCHES.
CA-480-1-120 = 120 INCHES
CA-480-2-14 = 14 INCHES
CA-480-1-8.25 = 8 1/4 INCHES

FOR OVER 10 FOOT LENGTHS, EXPRESS IN FEET TO THE NEAREST FOOT OR HALF FOOT USING THE LETTER "F"
CA-480-1-11F = 11 FEET
CA-480-1-200F = 200 FEET
CA-480-1-12.50F = 12 1/2 FEET

QTY. REQ.	ITEM	PART NO.	DESCRIPTION	SYMBOL

FINAL APPROVAL		DATE
MECH. DES.	EFM	
ELECT. DES.		
CHECKED	LG	
DRAWN	KAUFFMAN	1-17-67

LIST OF MATERIAL	
THE TECHNICAL MATERIEL CORP. MAMARONECK, NEW YORK	
CABLE ASSEMBLY, RF	
SIZE	CODE IDENT. NO. DWG. NO.
D	82679 CA 480
SCALE	NONE
SHEET	1 OF 2

NOTICE TO PERSONS RECEIVING THIS DRAWING
THE TECHNICAL MATERIEL CORPORATION claims proprietary right in the material disclosed herein. This drawing is issued in confidence for engineering information only and may not be reproduced or used to manufacture anything shown herein without permission from THE TECHNICAL MATERIEL CORPORATION to the user. This drawing is loaned for mutual assistance and is subject to recall at any time.

BS CA480-182 Added 1-11-89 2199Z

ZONE	LTR	DESCRIPTION	DATE	E.M.N.O.	DRAFT	CHKD	APPD
		SEE SHEET 1	2/2/83	21025	GE	EF	EF
		ADD CA480-174 CA480-175	4/11/82	21055	GE	EF	EF
		ADD CA480-176	9-28-79	21172	GBL	Q	Q
		ADD CA480-177 & CA480-178 -179	6-18-79	21252	GBL	Q	Q
		ADD CA480-180 & -181	11/15	21317	()	Q	Q

ZONE	LTR	DESCRIPTION	DATE	E.M.N.O.	DRAFT	CHKD	APPD
		ADDED CA 480-164 To 166	8-1-68	19021	HS	JA	EFM
		ADDED CA 480-167	9/12/68	19025	C-V	JA	EFM
		ADDED CA480-168, 169, 170, 171		19678	CV	JA	QK
		ADDED CA480-172	8/3/79	19839	GE	JA	QK
		ADDED CA 480-173	4/17/81	20315	GE	Q	Q

TMC PART NO.	REFER TO PICTORIAL STYLE	ITEM 1		ITEM 2		ITEM 3		ITEM 4		ITEM 5			STYLE "B" DIMENSIONS			REFER TO WIRING SPEC. NO.	REMARKS
		(CONNECTOR)	SERIES	(ADAPTER)	(CONNECTOR)	SERIES	(ADAPTER)	(CABLE)	OHMS	X	Y	S					
CA-480-73	A	PL-150	QDS	NT-134	PL-259A	TEF	UHF	N/A	RG-9/U	50							
CA-480-74	A	PL-232	QDL		PL-232	QDL			UG211A/U	50							
CA-480-75	A	PL-259A/TEF	UHF	N/A	PL-259A/TEF	UHF	N/A	N/A	RG-9/U	50							
CA-480-76	A	PL-259A/TEF	UHF	N/A	PL-149	QDS	*NT-134	RG-9/U	50								
CA-480-77	B	PL-204		N/A	N/A	N/A	N/A	N/A	RG-188/U	50	1	3/8	1/2		AFC-2A, AFC-3		
CA-480-78	A	PL-149	QDS	NT-134	PL-149	QDS	*NT-134	RG-213/U	50								
CA-480-79	A	PL-136	QDL	N/A	PL-136	QDL	N/A	N/A	RG-218/U	50							
CA-480-80	A	PL-141	QDL	N/A	PL-141	QDL	N/A	N/A	RG-218/U	50							
CA-480-81	A	UG-21B/U	N	MX-1286/U	UG-94A/U	N	*NT-135	RG-12A/U	70/50						SEE 1 SIZE DRAWING		
CA-480-82	A	PL-149	QDS		PL-149	QDS			RG-9B/U	50							
CA-480-83	A	UG-21B/U	N		UG-21B/U	N			RG-9B/U	50							
CA-480-84	A	PL-204	QDM	N/A	PL-244-1	BNC	N/A	RG-174/U	50						HFR-1		
CA-480-85	A	PL-150	QDS	N/A	UG-21B/U	N	N/A	RG-8/U	50								
CA-480-86	A	PL-	QDM		PL-	QDM			RG-214/U	50							
CA-480-87	A	PL-	QDM		PL-	QDM			RG-215/U	50							
CA-480-88	A	PL-	QDM		PL-	QDM			RG-216/U	70							
CA-480-89	A	PL-223	QDM		PL-223	QDM			RG-62A/U	93							
CA-480-90	A	PL-	QDM		PL-	QDM			RG-218/U	50							
CA-480-91	A	UG-573B/U	C	N/A	UG-59E/U	HN	N/A	RG-8/U	50								
CA-480-92	A	UG-21B/U	N	N/A	UG-59E/U	HN	N/A	RG-8/U	50								
CA-480-93	A	PL-224	QDM	N/A	PL-224	QDM	N/A	RG-55/U	50								
CA-480-94	A	UG-21B/U	N	N/A	UG-94A/U	N	N/A	RG-11A/U	70/50								
CA-480-95	A	UG-94A/U	N	MX-1286	UG-594A/U	N	MX-1286	RG-12A/U	70/50								
CA-480-96	B	PL-244-1	BNC	N/A	NONE				RG-174/U	50	1/2	3/8	1		AX-413 P/O TTR-10		
CA-480-97	B	UG-260/U	BNC	N/A	NONE	N/A	N/A		RG-59/U	70	1/2	1/4	1		GPT-200K		
CA-480-98	C	UG-573A/U	C	N/A	UG-573A/U	C			RG-213/U	50							
CA-480-99		PL-136	QDL	N/A	PL-197	LC	N/A	RG-17A/U	50								
CA-480-100		UG-573A/U	LC	N/A	UG-573A/U	C	N/A	RG-214/U	50								
CA-480-101		PL-136	QDL	N/A	UG-154/U	LC			RG-17A/U	50							
CA-480-102		PL-141	QDL	N/A	PL-214	LC	N/A	RG-164	70								
CA-480-103	B	PL-192		N/A	NONE	N/A	N/A	RG-58/U	50	1/2	1/4	1		XX	GPT-200K		
CA-480-104	A	PL-259A/TEF	UHF	N/A	PL-259A/TEF	UHF	N/A	RG-213/U	50								
CA-480-105	A	PL-222	HN	N/A	PL-222	HN	N/A	RG-165/U	50								
CA-480-106		PL-149	QDS	N/A	UG-21E/U	N	N/A	RG-213/U	50								
CA-480-107		UG708B/U	C	N/A	UG708B/U	C	N/A	RG-218/U	50								
CA-480-108		PL-156	QDS	N/A	PL-224	QDM	N/A	RG-58C/U	50								
CA-480-109		UG-88E/U	BNC	N/A	PL-259A/TEF	UHF	UG-175/U	RG-58C/U	50								
CA-480-110	B	UG-88E/U	BNC	N/A	NONE	N/A	N/A	RG-58C/U	50	1/2	1/4	1			AX397		
CA-480-111	B	UG-89C/U	BNC	N/A	NONE	N/A	N/A	RG-58C/U	50	1/2	1/4	1			AX397		
CA-480-112	A	UG-88*/U	BNC	N/A	PL-192	N/A	N/A	RG-58C/U	50						FORMERLY CA577 AX275:397		
CA-480-113		UG-89*/U	BNC	N/A	PL-192	N/A	N/A	RG-58C/U	50						AX397		
CA-480-114															SEE CA480-14		
CA-480-115	A	UG-627A/U	C	N/A	UG-627A/U	C	N/A	RG-59B/U	75								
CA-480-116	A	PL-232	QDL	N/A	PL-232	QDL	N/A	RG-281/U	50								
CA-480-117	A	UG-21D/U	N	N/A	UG-21D/U	N	N/A	RG-11/U	75								
CA-480-118	A	UG-21D/U	N	N/A	MX-1554A/U	END SEAL	N/A	RG-11/U	75								
CA-480-119	A	PL-136	QDL	N/A	UG-154/U	LC	N/A	RG-218/U	50								
CA-480-120	A	PL-259A-TEF	UHF	N/A	UG-59*/U	HN	N/A	RG-8/U	50								
CA-480-121	A	PL-233	QDL	N/A	PL-233	QDL	N/A	RG-117A/U	50								
CA-480-122	A	PL-233	QDL	N/A	PL-233	QDL	N/A	RG-211A/U	50								
CA-480-123	A	PL-237	QDL	N/A	PL-237	QDL	N/A	RG-211A/U	50								
CA-480-124	A	PL-246	QDM	N/A	PL-246	QDM	N/A	RG-307/U	75								
CA-480-125	A	UG-59*/U	HN	N/A	NONE	N/A	N/A	RG-8/U	50								
CA-480-126	A	UG-88*/U	BNC	N/A	UG-88*/U	BNC	N/A	RG-55B/U	50						MCTR-350		
CA-480-127	A	PL-161	QDS	N/A	PL-161	QDS	N/A	RG-213/U	50						DDRR-506		
CA-480-128	A	UG-536B/U	N	N/A	UG-536B/U	N	N/A	RG-55/U	53								
CA-480-129	D	UG-88*/U	BNC	N/A	TE-159-32961	N/A	N/A	RG-58C/U	50	1/4	1/4				COR-2		
CA-480-130	A	PL-203	QDL	N/A	PL-136	QDL	N/A	RG-17/U	50								
CA-480-131	A	PL-154		N/A	JJ-172	BNC	N/A	RG-174	50								
CA-480-132																	
CA-480-133	A	JJ-172	BNC	N/A	JJ-172	BNC	N/A	RG-174/U	50						RAK110-2		
CA-480-134	A	UG-959*/U	BNC	N/A	PL-259A	UHF	N/A	RG8/U	50								
CA-480-135	A	UG-21*/U	N	N/A	PL-259A	UHF	N/A	RG-8/U	50								
CA-480-136															SEE CA-480-15		
CA-480-137	A	PL-222	HN	N/A	PL-253-1	HN	N/A	RG-165/U	50						TST2-5K		
CA-480-138	A	PL-253-1	HN	N/A	PL-253-1	HN	N/A	RG-165/U	50						TST2-5K		
CA-480-139	A	PL-259ATEF	UHF	N/A	PL-149	QDS	N/A	RG-8/U	50								
CA-480-140	A	UG-573A/U	C	N/A	PL-150	QDS	N/A	RG-8/U	50								
CA-480-141	A	UG959/U	BNC	N/A	PL-259A/TEF	UHF	N/A	RG-8/U	50								
CA-480-142	A	UG-21B/U	N	N/A	PL-259A/TEF	UHF	N/A	RG-8/U	50								
CA-480-143	B	UG-260*/U	BNC	N/A	NONE			RG-58/U	50	1	1/2	1			SBT-1K		
CA-480-144															SEE CA-480-36		
CA-480-145	D	UG-59*/U	HN	N/A	TE-141-3	N/A	N/A	RG-8/U	50						ATS2A		
CA-480-146	A	UG-22*/U	N	N/A	PL-150	QDS	N/A	RG-8/U	50						PNL JACK 'N' TO PL QDS		

TMC PART NO.	REFER TO PICTORIAL STYLE	ITEM 1		ITEM 2		ITEM 3		ITEM 4		ITEM 5		STYLE "B" DIMENSIONS			REFER TO WIRING SPEC. NO.	REMARKS
		(CONNECTOR)	SERIES	ADAPTOR	(CONNECTOR)	SERIES	(CABLE)	OHMS	X	Y	S					
CA-480-147	A	PL-253-1	HN	N/A	PL-259	UHF	N/A	RG-8/U	50							
CA-480-148	A	PL-253-1	HN	N/A	UG-59*/U	HN	N/A	RG165/U	50							
CA-480-149	A	PL-253-1	HN	N/A	PL-253-1	HN	N/A	RG165/U	50							TFP-2.5K
CA-480-150	A	PL-222	HN	N/A	PL-259A/TEF	UHF	N/A	RG165/U	50							TFP-2.5K USE CA480-138
CA-480-151	A	PL-149	QDS	N/A	PL-253-1	HN	N/A	RG8/U	50							
CA-480-152	A	UG88E/U	BNC	N/A	UG536B/U	N	N/A	RG58*/U	50							RAK-75-4
CA-480-153	A	PL147-2	PHONO	N/A	PL244-1	BNC	N/A	RG174/U	50							
CA-480-154	A	PL256	TWIN	N/A	PL256	TWIN	N/A	RG108A/U	78							CDN 3, 4
CA-480-155	A	PL255	QDM	N/A	PL255	QDM	N/A	SEE REMARKS	75							
CA-480-156	A	UG603/U	N	N/A	UG910/U	BNC	N/A	RG59B/U	70							#621-186 AMPHENOL
CA-480-157	A	UG603/U	N	N/A	PL147-2	PHONO	N/A	RG59B/U	70							RAK75-6A & B
CA-480-158	A	UG536B/U	N	N/A	UG58A/U	N	UG177/U	RG580/U	50							RAK75-6A & B
CA-480-159	A	UG88*/U	BNC	N/A	PL224	QDM	N/A	RG58*/U	50							RAK120
CA-480-160	A	PL253-1	HN	N/A	PL222	HN	N/A	RG-8/U	50							GPTA 2.5JB
CA-480-161	A	PL253-1	HN	N/A	UG61*/U	HN	N/A	RG-8/U	50							GPTA 2.5JB
CA-480-162	A	PL237	QDL	N/A	PL237	QDL	N/A	RG 281/U	50							
CA-480-163	C	PL259A	UHF	N/A	N/A	N/A	N/A	RG58*/U	50							
CA-480-164	A	UG154*/U	LC	N/A	UG154*/U	LC	N/A	RG17*/U	50				</			