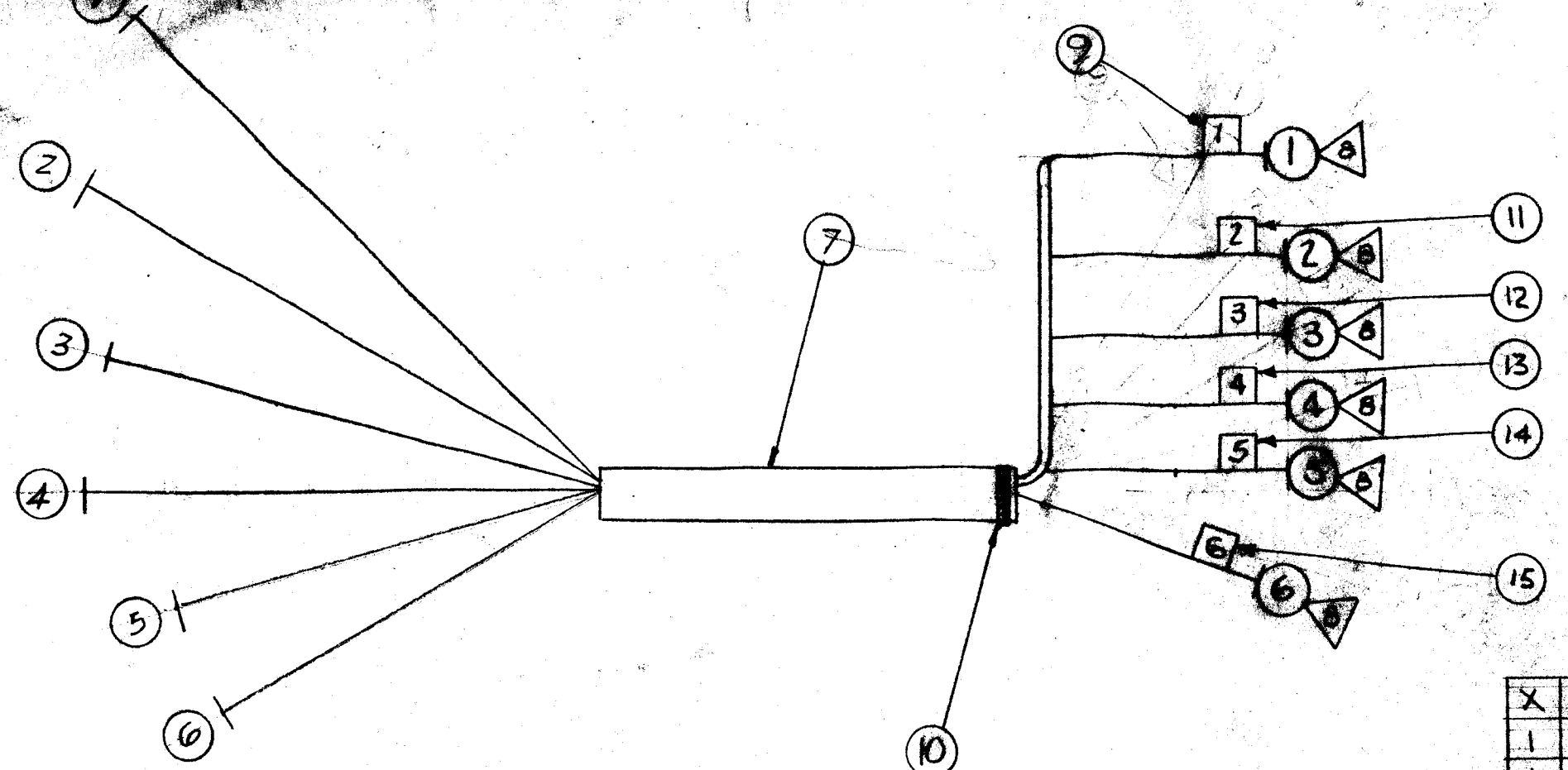


CA-440



REQ.	ITEM	PART NO.	DESCRIPTION	SYMBOL
X	16	BS 100	SOLDER, TIN ALLOY	
1	15	LA 100-6	WIRE MARKER	
1	14	LA 101-5		
1	13	LA 101-4		
1	12	LA 101-3		
1	11	LA 101-2	WIRE MARKER	
X	10	CD-101-1-MW	CORD, LACING	BLK.
1	9	LA-101	WIRE, MARKER	
6	8	TE-120-2	LUG	
2 1/2	7	EX-100-1-315	INSULATION, SLEEVING	BLACK
7	6	MWC 18(16) U4	CABLE, INSULATED	YELLOW
7	5	MWC 20(7) U94		YELLOW
7 1/2	4		U91	WHY GRN
8 1/2	3		U1	BROWN
9 1/2	2		U9	WHITE
10 1/2	1	MWC 20(7) U6	CABLE, INSULATED	BLUE

THE TECHNICAL MATERIEL CORP.	
MAMARONECK, NEW YORK.	
AR-105 CABLE ASS'Y.	
MATERIAL	
AUC	J. No
DRWN	CHECKED
FINAL APPROVAL	
CA-440	

NOTICE TO PERSONS RECEIVING THIS DRAWING

THE TECHNICAL MATERIEL CORPORATION claims proprietary right in the material disclosed hereon. This drawing is issued in confidence for engineering information only and may not be reproduced or used to manufacture anything shown hereon without permission from THE TECHNICAL MATERIEL CORPORATION to the user. This drawing is loaned for mutual assistance and is subject to recall at any time.

Property of:  
THE TECHNICAL MATERIEL CORPORATION  
MAMARONECK, NEW YORK

ISSUE	ITEM	CHANGED FROM	DATE	CH. NO.	DRAFTS	CHECKER	ENG. APP.
B		ADD IT'S 11 TO 16, IT WAS (RED) AND = 1	10/24/66	17074	RME	JCB	[Signature]
A	2	IT'S (10) ADDED	1-8-63	7971	[Signature]	[Signature]	[Signature]
	1	PICTORIAL CLARIFIED					

TOLERANCES		SCALE:	
DEC. DIM. ±	MAXIMUM ALLOWABLE TOLERANCES HAVE BEEN DETERMINED AND ANY DEVIATIONS WILL BE CAUSE FOR REJECTION: REMOVE ALL BURRS AND SHARP EDGES	1	A-1704
FRAC. DIM. ±		REQ. PER UNIT	MODEL
ANGULAR DIM. ±			PROJECT NO.
			ASSY. NO.
			DATE
			USED ON