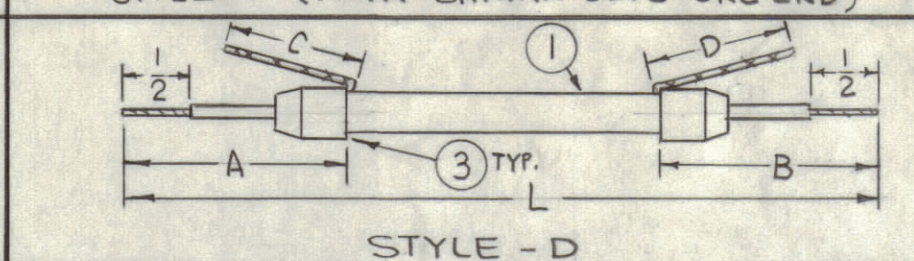
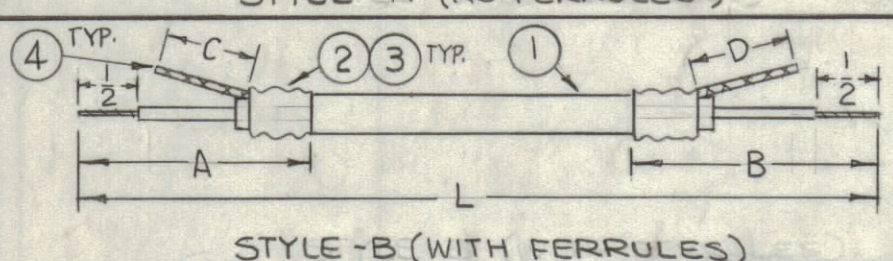
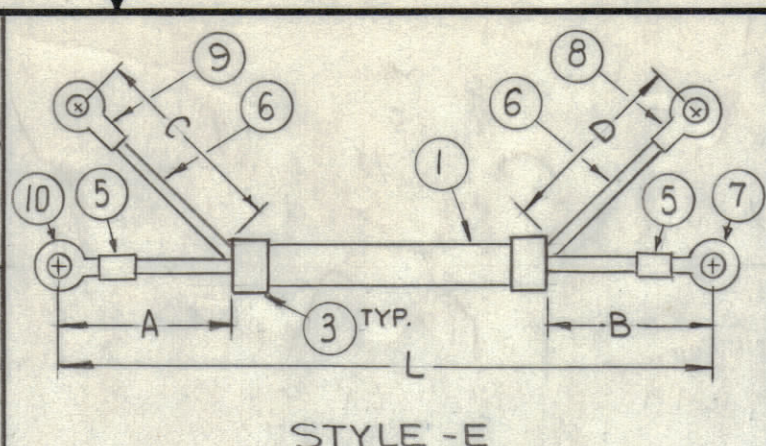
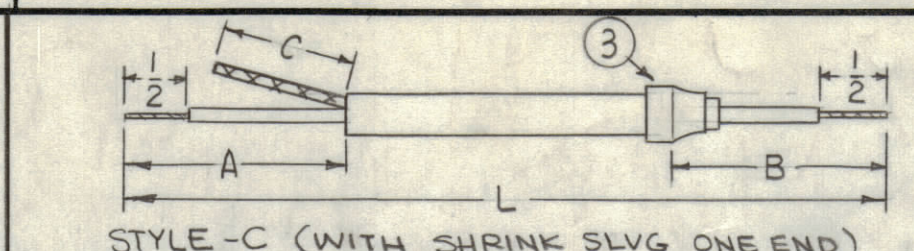
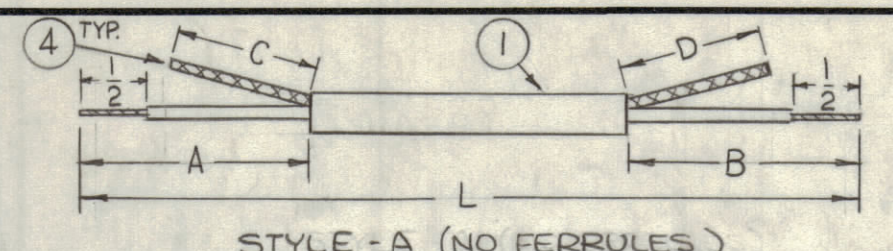


4

3

2

1



| REVISIONS | | | | | | |
|-----------|-----|--|---------|----------|-------|-----------|
| ZONE | LTR | DESCRIPTION | DATE | E.M.N.NO | DRAFT | CHKD APPD |
| L | | REDRAWN ON "C" SIZE, ADDED -19 TO -24, & STYLE E | 3/20/68 | 18815 | C.V. | FB |
| M | | ADDED -25-26-27 | 4/16/71 | 20319 | GE | OU |
| N | | ADDED -28-29, ON-27 CHG DIM L FROM 16 TO 11 | 7-11-75 | 21234 | GAL | CL |

| TMC P/N | ITEM NO 1 (CABLE) | ITEM NO 2 FERRULE INNER | ITEM NO 3 FERRULE OUTER | ITEM NO 4 SHIELD OR WIRE LEAD | ITEM NO 5 | ITEM NO 6 | ITEM NO 7 | ITEM NO 8 | ITEM NO 9 | ITEM NO 10 | DIM A | DIM B | DIM C | DIM D | DIM L | STYLF | IST MODELS USED ON |
|---------|-------------------|-------------------------|-------------------------|-------------------------------|-----------|-----------|-----------|-----------|-----------|------------|-------|-------|-------|-------|-------------|-------|--------------------|
| CA418-1 | RG188/U | CU101-9 | CU101-10 | WL103-1 | | | | | | | 1-1/4 | 1-1/4 | 1-1/4 | 1-1/4 | 5 | B | RTF-2 MULT |
| -2 | RG188/U | CU101-9 | CU101-10 | WL103-1 | | | | | | | 1-1/4 | 2-1/4 | 1-1/4 | 2-1/4 | 15 | B | RTF-2 MULT |
| -3 | RG58/U | CU101-1 | CU101-2 | WL103-1 | | | | | | | 1-1/4 | 1-1/4 | 2-1/2 | 2-1/2 | 10-1/8 | B | FFR-3 |
| -4 | RG174/U | NONE | NONE | NONE | | | | | | | 1-1/4 | 1-1/4 | 1-1/4 | NONE | 5-3/4 | A | SBE-3 |
| -5 | RG188/U | NONE | NONE | NONE | | | | | | | 1-1/4 | 4-1/4 | 1-1/4 | 1-1/4 | 12 | A | DELETED |
| -6 | RG188/U | NONE | NONE | NONE | | | | | | | 1 | 1 | 1 | 1 | 5 | A | TTR-10 |
| -7 | RG174/U | NONE | PX643-5 | NONE | | | | | | | 1 | 1 | 1 | NONE | 7-3/4 | C | VLR-1 |
| -8 | RG188/U | NONE | NONE | NONE | | | | | | | 11/16 | 11/16 | 11/16 | 11/16 | 8 | A | TTRR-1 |
| -9 | RG188/U | NONE | NONE | NONE | | | | | | | 11/16 | 11/16 | 11/16 | 11/16 | 7-3/4 | A | TTRT-1 |
| -10 | RG188/U | NONE | NONE | NONE | | | | | | | 1-1/4 | 4-1/4 | 1-1/4 | 1-1/4 | 13-1/2 | A | RFD-1A |
| -11 | RG174/U | NONE | NONE | NONE | | | | | | | 1-1/4 | 1-1/2 | 7/8 | 1-1/2 | 12 ± 1/4 | A | GPR90RXD |
| -12 | RG174/U | NONE | NONE | NONE | | | | | | | 7/8 | 1-1/2 | 7/8 | 1-1/2 | 14 ± 1/4 | A | GPR90RXD |
| -13 | RG174/U | NONE | NONE | NONE | | | | | | | 7/8 | 1-3/8 | 7/8 | 1-3/8 | 7-3/4 ± 1/4 | A | GPR90RXD |
| -14 | RG174/U | NONE | NONE | NONE | | | | | | | 1 | 1 | 1 | 1 | 6 ± 1/4 | A | GPR90RXD |
| -15 | RG174/U | NONE | NONE | NONE | | | | | | | 3/4 | 1 | 1 | 1 | 7-3/4 | A | GPR90RXD |
| -16 | RG188/U | NONE | NONE | NONE | | | | | | | 1 | 1-1/2 | 1 | 1-1/2 | 5-1/2 | A | RFC-1 |
| -17 | RG174/U | NONE | CU159-1 | MWC22(7)U1 | | | | | | | 1-3/8 | 1-3/8 | 1-3/8 | 1-3/8 | 6-1/4 | D | LFSB-1 |
| -18 | RG174/U | NONE | CU159-1 | MWC22(7)U1 | | | | | | | 1-3/8 | 1-3/8 | 1-3/8 | 1-3/8 | 4-1/2 | D | LFSB-1 |
| -19 | RG165/U | NONE | PX830-437-1 | NONE | PX830-6-1 | PX830-6-1 | TE141-3 | TE141-2 | TE141-2 | TE141-3 | 1-1/4 | 1-1/4 | 2-1/4 | 2-1/4 | 8-1/2 | E | TFP-2.5K |
| -20 | RG165/U | NONE | PX830-437-1 | NONE | PX830-6-1 | PX830-6-1 | TE141-3 | TE141-2 | TE141-2 | TE141-3 | 1-1/4 | 1-1/4 | 2-1/4 | 2-1/4 | 6-5/8 | E | TFP-2.5K |
| -21 | RG165/U | NONE | PX830-437-1 | NONE | PX830-6-1 | PX830-6-1 | TE141-3 | TE141-2 | TE141-2 | TE141-3 | 1-1/4 | 1-1/4 | 2-1/4 | 2-1/4 | 10 | E | TFP-2.5K |
| -22 | RG165/U | NONE | PX830-437-1 | NONE | PX830-6-1 | PX830-6-1 | TE141-3 | TE141-2 | TE141-2 | TE141-3 | 1-1/4 | 1-1/4 | 2-1/4 | 2-1/4 | 7-1/2 | E | TFP-2.5K |
| -23 | RG165/U | NONE | PX830-437-1 | NONE | PX830-6-1 | PX830-6-1 | TE141-3 | TE141-2 | TE141-2 | TE141-3 | 1-1/4 | 1-1/4 | 2-1/4 | 2-1/4 | 4-1/2 | E | TFP-2.5K |
| -24 | RG165/U | NONE | PX830-437-1 | NONE | PX830-6-1 | PX830-6-1 | TE141-3 | TE141-2 | TE141-2 | TE141-3 | 1-1/4 | 1-1/4 | 2-1/4 | 2-1/4 | 9-1/2 | E | TFP-2.5K |
| -25 | RG174/U | NONE | NONE | NONE | | | | | | | 3/4 | 3/4 | 3/4 | 3/4 | 6 1/2 | A | KIT 357(HFS-2) |
| -26 | RG174/U | NONE | NONE | NONE | | | | | | | 3/4 | 3/4 | 3/4 | 3/4 | 4 | A | KIT 357(HFS-2) |
| -27 | RG8/U | NONE | PX830-437-1 | NONE | PX830-6-2 | | TE141-2 | TE141-2 | | | 1 | 1 | 2 1/4 | 2 1/4 | 11 | E | TFP-1K |
| -28 | RG8/U | NONE | PX830-437-1 | NONE | PX830-6-2 | | TE141-2 | TE141-2 | | | 1 | 1 | 2 1/4 | 2 1/4 | 7 1/2 | E | TFP-1K |
| -29 | RG8/U | NONE | PX830-437-1 | NONE | PX830-6-2 | | TE141-2 | TE141-2 | | | 1 | 1 | 2 1/4 | 2 1/4 | 5 | E | TFP-1K |

| | | | |
|---|----|-----------|-------------------------------|
| I | 10 | SEE CHART | TERM, LUG |
| I | 9 | | |
| I | 8 | | |
| I | 7 | | TERM, LUG |
| X | 6 | | INSULATION, SLVG SHRINK |
| X | 5 | | INSULATION, SLVG SHRINK |
| X | 4 | | SHIELD, FLEXIBLE OR WIRE LEAD |
| 2 | 3 | | FERRULE, OUTER |
| 2 | 2 | | FERRULE, INNER |
| X | 1 | SEE CHART | CABLE, RF COAXIAL |

| QTY. REQ. | ITEM | PART NO. | DESCRIPTION | SYMBOL |
|-----------|------|----------|-------------|--------|
|-----------|------|----------|-------------|--------|

LIST OF MATERIAL

| | | | |
|---|---------------------------|-----------------|---|
| UNLESS OTHERWISE SPECIFIED DIMENSIONS ARE IN INCHES AND INCLUDE CHEMICALLY APPLIED OR PLATED FINISHES | FINAL APPROVAL C. POSE | DATE | THE TECHNICAL MATERIEL CORP. MAMARONECK, NEW YORK CABLE ASSEMBLY, RF |
| TOLERANCES ON DECIMALS .X ± .05 .XX ± .01 .XXX ± .005 FRACTIONS ± 1/64 ANGLES ± 0° -30' | MECH. DES. | DATE | |
| | ELECT. DES. | DATE | |
| | CHECKED | DATE 3-25-68 | |
| MATERIAL | DRAWN | DATE 3-22-68 | SIZE CODE IDENT.NO. DWG NO. ISSUE |
| | FINISH | | C 82679 CA 418 N |

| STANDARD | MODEL USED ON | ASS'Y NO. |
|---|---------------|-----------|
| APPLICATION | | |
| CODE | | |
| NOTICE TO PERSONS RECEIVING THIS DRAWING THE TECHNICAL MATERIEL CORPORATION claims proprietary right in the material disclosed hereon. This drawing is issued in confidence for engineering information only and may not be reproduced or used to manufacture anything shown hereon without permission from THE TECHNICAL MATERIEL CORPORATION to the user. This drawing is loaned for mutual assistance and is subject to recall at any time. | | |

4

3

2

1