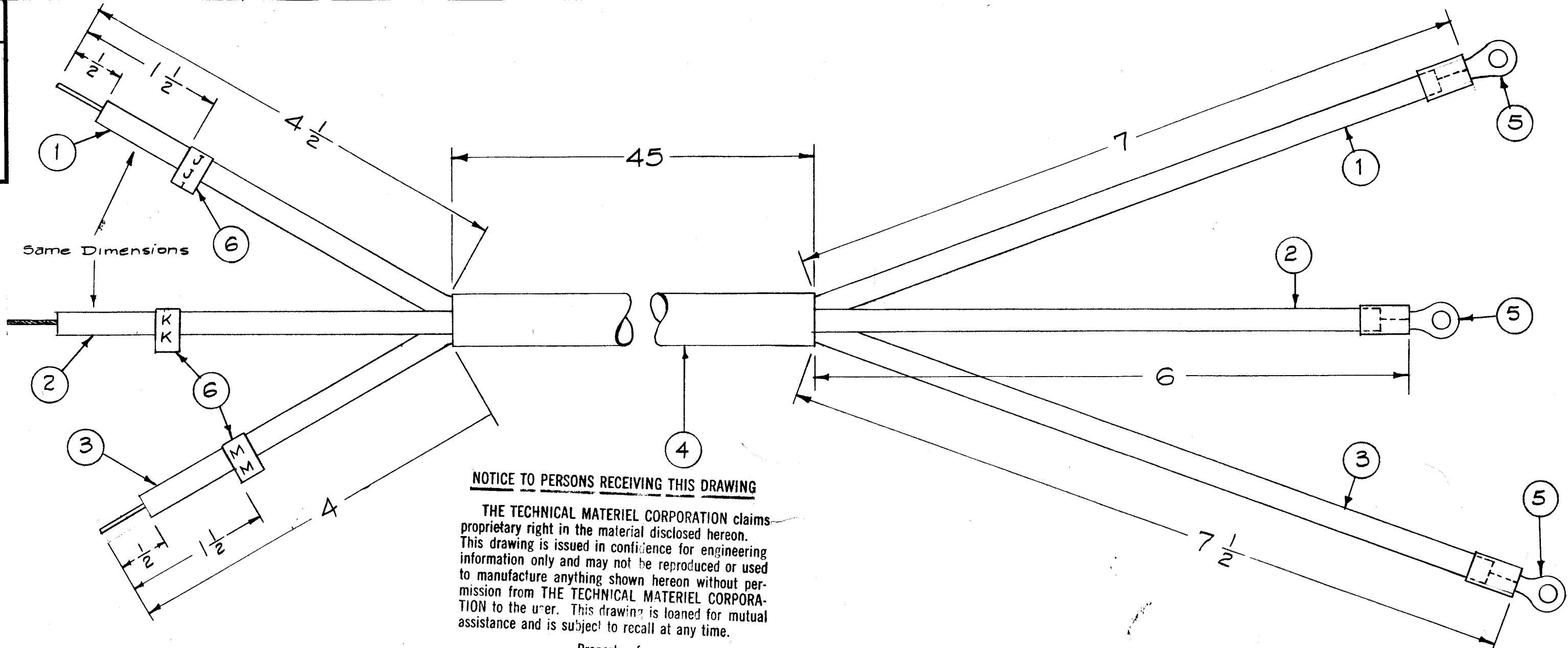


CA-410 A



NOTICE TO PERSONS RECEIVING THIS DRAWING
 THE TECHNICAL MATERIEL CORPORATION claims proprietary right in the material disclosed hereon. This drawing is issued in confidence for engineering information only and may not be reproduced or used to manufacture anything shown hereon without permission from THE TECHNICAL MATERIEL CORPORATION to the user. This drawing is loaned for mutual assistance and is subject to recall at any time.

Property of:
 THE TECHNICAL MATERIEL CORPORATION
 MAMARONECK, NEW YORK
 All Dimensions in Inches.
 Tin Leads - Crimp & Solder Lugs.

REQ. ITEM	PART NO.	DESCRIPTION	SYMBOL
X 7	BS-100	Solder, Soft	
3 6	LA-101	Marker, Wire, 1 "J", 1 "K", 1 "M"	
3 5	TE-155-34170	Lug, Terminal	
45"	4 PX-100-1-.500	Insulation, Sleeve	
56 1/2"	3 HWC10(37)B 90	Cable, Insulated, FIBERGLASS	White BIK.
55 1/2"	2 HWC10(37)B 9	Cable, Insulated, FIBERGLASS	White
56 1/2"	1 HWC10(37)B 92	Cable, Insulated, FIBERGLASS	White Red
THE TECHNICAL MATERIEL CORP. MAMARONECK, NEW YORK			
CABLE ASS'Y, AC POWER			
MATERIAL			
TYPE & TEMPER		HEAT TREAT. SPEC.	FINISH & SPEC. NO.
DRAWN		CHECKED	FINAL APPROVAL
ELEC. DES. APP.		MECH. DES. APP.	

ISSUE	ITEM	CHANGED FROM	DATE	CH. NO.	DRAFTS	CHECKER	ENG. APP.
A	1	HWC1037B was HWC1037J #1, 2, 3	11-8-61	5830	RU		
TOLERANCES			SCALE: FULL				
DEC. DIM. ±			MAXIMUM ALLOWABLE TOLERANCES HAVE BEEN DETERMINED AND ANY DEVIATIONS WILL BE CAUSE FOR REJECTION.				
FRAC. DIM. ±			REMOVE ALL BURRS AND SHARP EDGES				
ANGULAR DIM. ±							

REQ. PER UNIT	MODEL	PROJECT NO.	ASS'Y. NO.	DATE
1	RTP-2	CA-406	11/5/58	
USED ON				