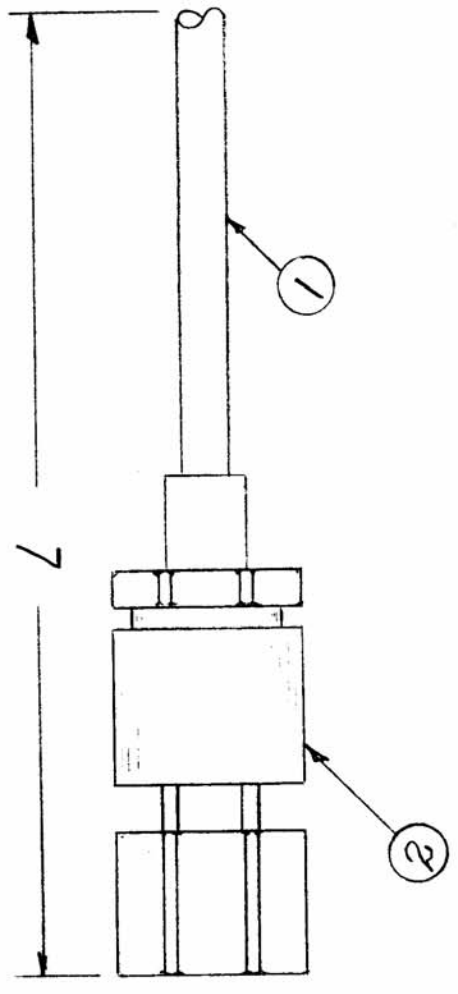


REQ. PER UNIT	MODEL	USED ON	DATE
1	ATS	ASSY. NO.	5/28/58
			CA-372



NOMENCLATURE SHALL BE IN THE FOLLOWING FORM:

CA-372-XX ← LENGTH REQ. (IN INCHES)

DWG. No.

REQ. ITEM	UG-154/U	PLUG, CONNECTOR	SYMBOL
1	RG-17/U	CABLE	
PART NO.		THE TECHNICAL MATERIEL CORP.	
STOCK SIZE		MAMARONECK. NEW YORK	
MATERIAL		CABLE ASSY	
TYPE & TEMPER		ATS-TU TO ANTENNA	
HEAT TREAT. SPEC.		5/28/58	
FINISH & SPEC. NO.		DRAWN	
ELEC. DES. APP.		CHECKED	
MECH. DES. APP.		FINAL APPROVAL	
MECH. DES. APP.		CA-372	

SCALE:

MAXIMUM ALLOWABLE TOLERANCES HAVE BEEN DETERMINED AND ANY DEVIATIONS WILL BE CAUSE FOR REJECTION. REMOVE ALL BURRS AND SHARP EDGES

TOLERANCES

DEC. DIM. ±

FRAC. DIM. ±

ANGULAR DIM. ±