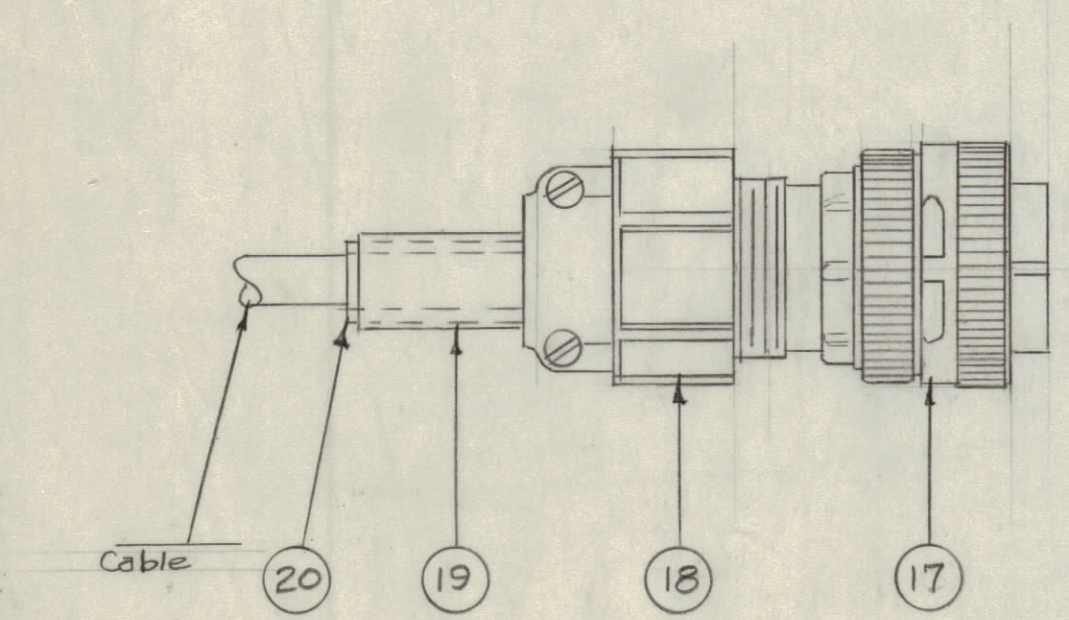
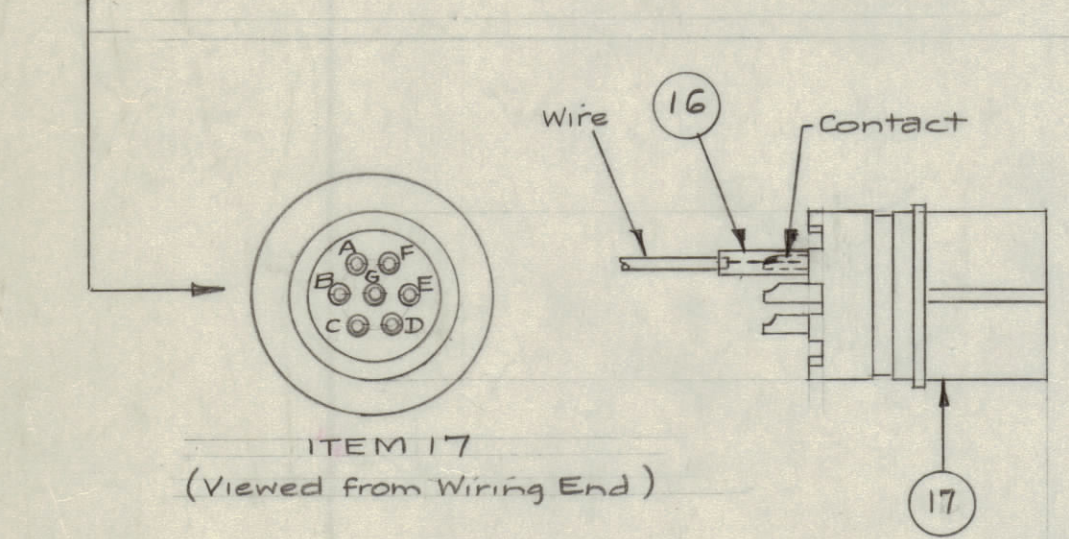
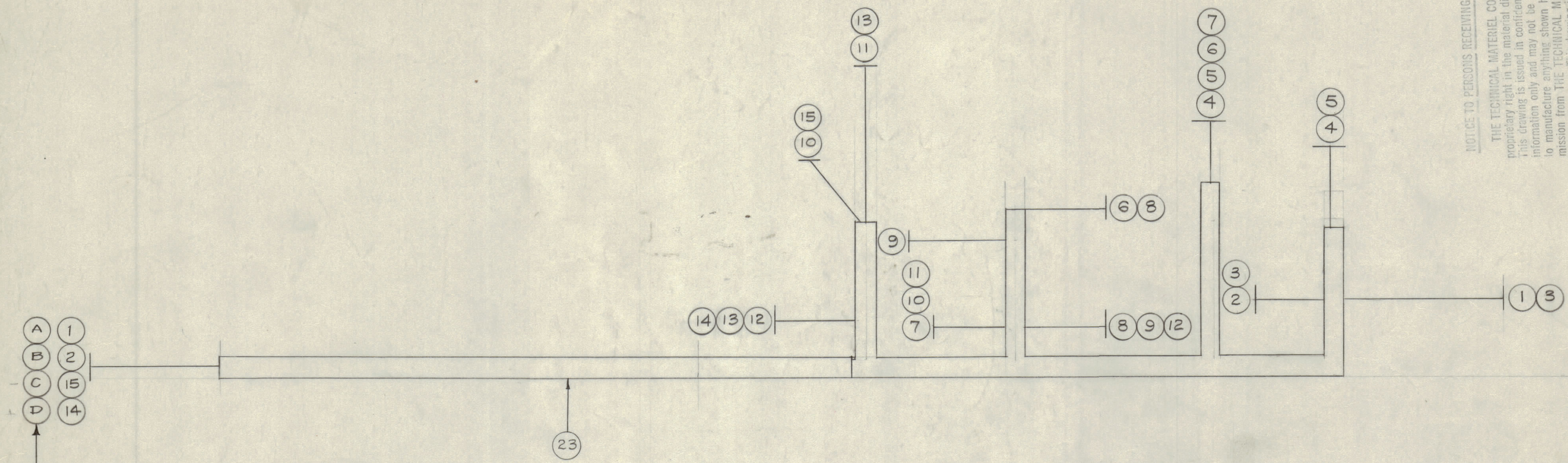


IF IT IS FOUND DESIRABLE TO CHANGE ANY TOLERANCE OR OTHER DETAIL SPECIFIED ON THIS DRAWING NOTIFY THE PURCHASER PROMPTLY.

MAXIMUM ALLOWABLE TOLERANCES HAVE BEEN DETERMINED AND DEVIATIONS WILL BE CAUSE FOR REJECTION. REMOVE ALL BURRS AND SHARP EDGES

NOTICE TO PERSONS RECEIVING THIS DRAWING
 THE TECHNICAL MATERIEL CORPORATION claims proprietary right in the material disclosed hereon. This drawing is issued in confidence for engineering information only and may not be reproduced or used to manufacture anything shown hereon without permission from THE TECHNICAL MATERIEL CORPORATION to the user. This drawing is loaned for mutual assistance and is subject to recall at any time.

Property of:
 THE TECHNICAL MATERIEL CORPORATION
 MAMARONECK, NEW YORK



8"	23	PX-100-1-.166	Insulation, Sleeving	BIK.
X	22	CD-101-1-MW	Cord, Lacing	
X	21	BS-100	Solder, Soft	

CA-363

1	20	MS3420-6A	Bushing, Cable	
1	19	MS3420-8A	Bushing, Cable	
1	18	MS3057-8	Clamp, Cable	
1	17	MS3106B-16S1P	Connector, Plug, Male	PI
X	16	PX-100-1-.106	Insulation, Sleeving	BIK.
	15	MWC22(7)U-0	Cable, Insulated, Stranded	BIK.
	14			Red
	13			Red
	12			Red
	11			BIK.
	10			BIK.
	9			White Red
	8			White Red
	7			BIK.
	6			Red
	5			White Viol.
	4			Viol.
	3			White Grey
	2			Grey
1		MWC22(7)U-8	Cable, Insulated, Stranded	Grey

REQ. ITEM	PART NO.	DESCRIPTION	SYMBOL
THE TECHNICAL MATERIEL CORP.			
MAMARONECK, NEW YORK			
CABLE, BATTERY SUPPLY			
STOCK SIZE			
MATERIAL		WEIGHT PER PC.	
TYPE & TEMPER		6/3/58	
HEAT TREAT. SPEC.		ELEC. DES. APP. MECH. DES. APP.	
FINISH & SPEC. NO.		FINAL APPROVAL	

ISSUE	ITEM	CHANGED FROM	DATE	CN. NO.	DRAFTS	CHECKER	ENG. APP.
TOLERANCES							
ALL OTHERS				SCALE:			
DEC. DIM. ±				DRILL PUNCH, COMMERCIAL STOCK			
FRAC. DIM. ±				SIZES AND MANUFACTURERS			
ANGULAR DIM. ±				TOLERANCES ARE NOT INCLUDED.			

1	A-1504			3-3-58
REQ PER UNIT	MODEL	PROJECT NO.	ASS'Y. NO.	DATE
USED ON				