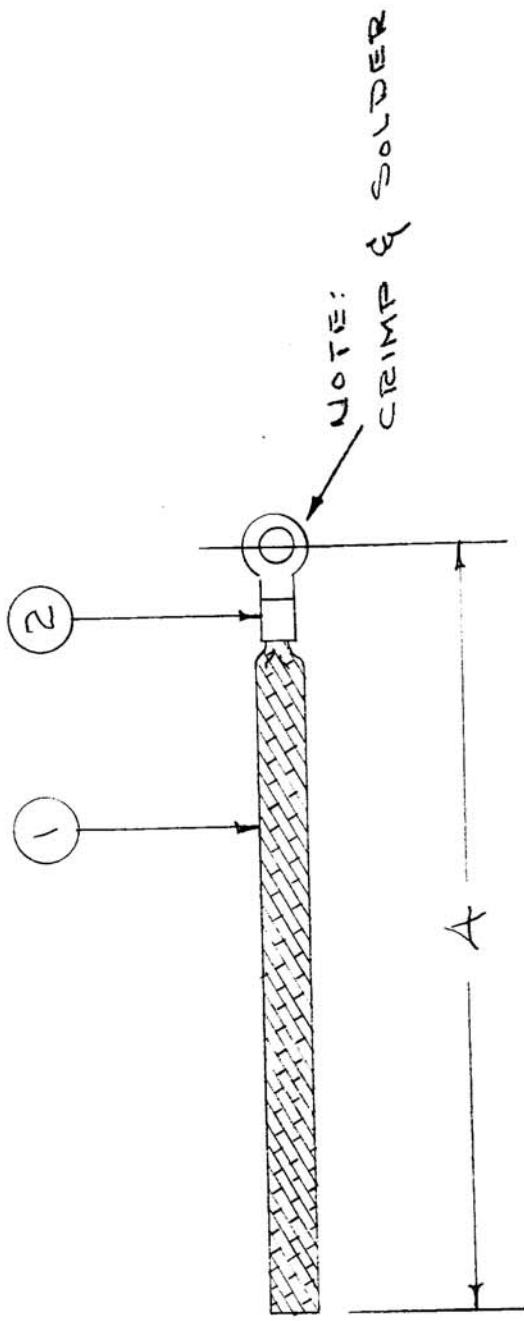


REQ. PER UNIT	241	USED ON	CA-301
1	MODEL	ASSY. NO.	
	RTF	DATE	5-7-56



X 3	BS-100	SOFT SOLDER	SYMBOL
1	TE-1A1-4	TERMINAL	
X 1	WL-103-A	SHIELD	
REQ. ITEM	PART NO.	DESCRIPTION	
		THE TECHNICAL MATERIEL CORP.	
		MAMARONECK.	
		CABLE ASSY, W108 TO S101 P18	
		P/A	GPT-750
		STOCK SIZE	
		MATERIAL	
		TYPE & TEMPER	
		HEAT TREAT. SPEC.	
		FINISH & SPEC. NO.	
		DRAWN	
		CHECKED	
		ELEC. DES. APP.	
		MECH. DES. APP.	
		FINAL APPROVAL	

A.J.J.

CA-301

SCALE:

MAXIMUM ALLOWABLE TOLERANCES HAVE BEEN DETERMINED AND ANY DEVIATIONS WILL BE CAUSE FOR REJECTION.

REMOVE ALL BURRS AND SHARP EDGES

TOLERANCES

DEC. DIM. ±

FRAC. DIM. ±

ANGULAR DIM. ±

DATE

CH. NO.

DRAFTS

CHECKER

ENG. APP.