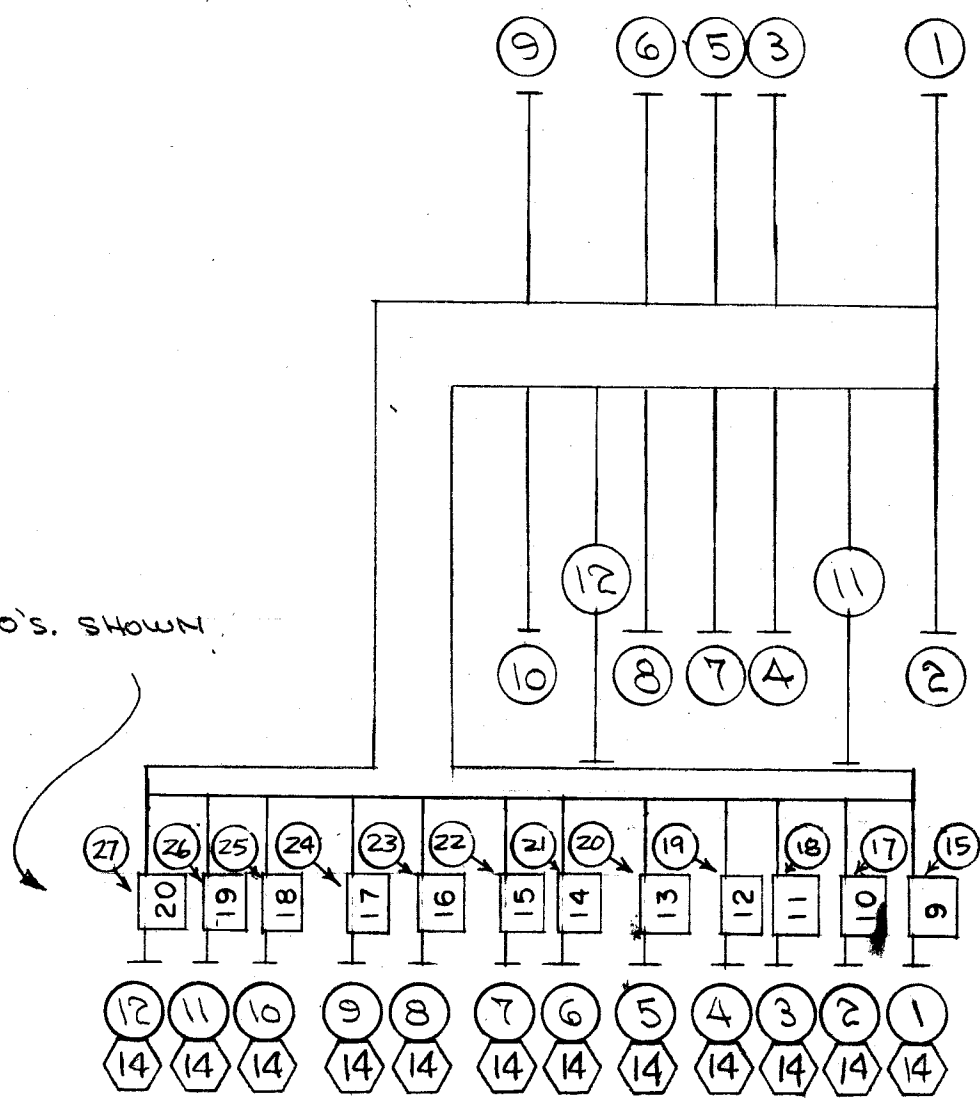


IF IT IS FOUND DESIRABLE TO CHANGE ANY TOLERANCE OR OTHER DETAIL SPECIFIED ON THIS DRAWING NOTIFY THE PURCHASER PROMPTLY.

MAXIMUM ALLOWABLE TOLERANCES HAVE BEEN DETERMINED AND DEVIATIONS WILL BE CAUSE FOR REJECTION. REMOVE ALL BURRS AND SHARP EDGES

CA-251 C

"SPEEDY TABS" OF NO'S. SHOWN



BOTTOM OF CABLE

WIRE LENGTHS SHOWN ALLOW 1/2" EA END FOR STRIPPING & TINNING

**SYMBOL NOTES**  
 ○ - DENOTES ITEM NO'S  
 ⬡ - DENOTES LUG NO'S

UNLESS OTHERWISE SPECIFIED  
**WIRES SHOULD BE PLACED IN CABLE IN NUMERICAL SEQUENCE AS THEY APPEAR IN ITEM COLUMN BY CATEGORY.**  
 1. ALL R.F. CABLES  
 2. ALL SHIELDED CABLES  
 3. ALL OTHERS  
**SPACE LACING APPROXIMATELY 3/4" APART.**



1	27	LA101-20	MARKER WIRE	
1	26	-19		
1	25	-18		
1	24	-17		
1	23	-16		
1	22	-15		
1	21	-14		
1	20	-13		
1	19	-12		
1	18	-11		
1	17	LA101-10	MARKER WIRE	
X	16	BS-100	SOLDER, SOFT	
1	15	LA101-9	MARKER WIRE	
12	14	TE-120-2	LUG	
X	13	CD-101-3-MW	LACING CORD	
8 3/8	12	MWC 22(7)U/PNK	CABLE, INSULATED PINK	
9 1/8	11			BROWN
6 5/8	10		92	WH/RED
6	9		3	ORANGE
6 1/2	8	MWC 16(19)U0		BLACK
7	7		7	VIOLET
7 3/4	6		5	GREEN
8 1/4	5		9	WHITE
8 3/8	4	MWC 22(7)U 8		GRAY
9 1/4	3		4	YELLOW
9 5/8	2		96	WH/BLUE
10	1		2	RED.

REQ.	ITEM	PART NO.	DESCRIPTION	SYMBOL
<b>THE TECHNICAL MATERIEL CORP.</b>				
MAMARONECK, NEW YORK				
PLATE RELAY CABLE				
GPT-150 P.S.				
STOCK SIZE		COR. 9/6/55		
MATERIAL		WEIGHT PER PC.		12/16/55
TYPE & TEMPER		DRAWN		
HEAT TREAT. SPEC.		ELEC. DES. APP.		MECH. DES. APP.
FINISH & SPEC. NO.		CHECKED		

C	CABLE & SYMBOL NOTES ADDED (IT IS-27 ADDED (IT WAS 3 12	12.6.10	17385	WTD	QCS	QCS
B	SRIR NO'S. CHANGED TO MWC NO'S.	10/29/58	2	J.C.B.	WLD	WLD
A	COVERS CHGD. G-7-B & 12	10/3/56	1	CSB	WLD	H.S.J.

TOLERANCES		SCALE:		1	RTP-2	A-1270	10-29-58
ALL OTHERS	DEC. DIM. ± FRAC. DIM. ± ANGULAR DIM. ±	DRILL, PUNCH, COMMERCIAL STOCK SIZES AND MANUFACTURERS TOLERANCES ARE NOT INCLUDED.		1	RTP	A-1270	9-6-55
		REQ. PER UNIT	MODEL	PROJECT NO.	ASSY. NO.	DATE	

1	RTP-2	A-1270	10-29-58
1	RTP	A-1270	9-6-55
REQ. PER UNIT	MODEL	PROJECT NO.	ASSY. NO.
USED ON			

CA-251 C