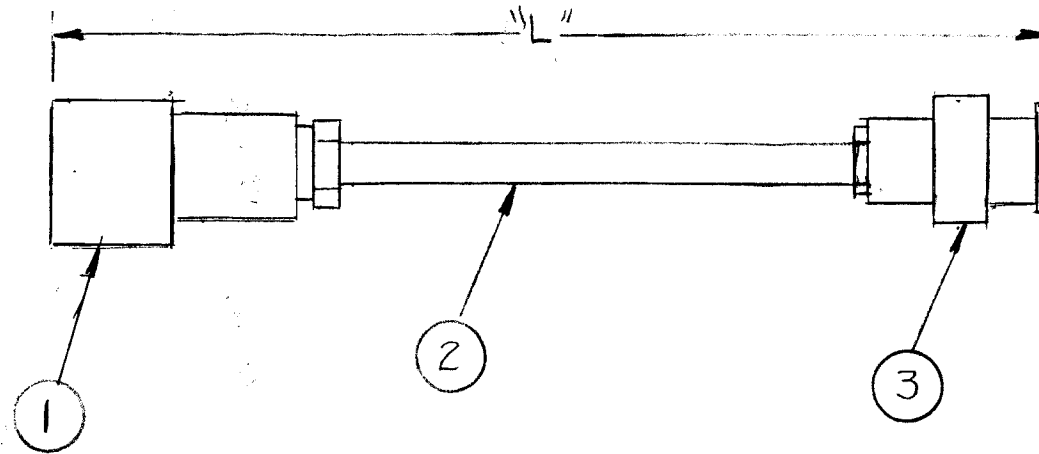


TMC P/O NO.	DIMENSION
CA 1905-	"L"
	5 1/8

REVISIONS							
E.M.N. NO.	DRAFT	CHKD	ZONE	LTR	DESCRIPTION	DATE	APPROVED



X	4	BS 100	SOLDER, TIN ALLOY	
1	3	UG 88/U	BNC CONNECTOR	
X	2	RG 58/U	COAXIAL CABLE	
1	1	UG 536 C/U	CONNECTOR	
REQ'D	ITEM	PART NUMBER	DESCRIPTION	SYM.

LIST OF MATERIAL

1	VAA-1,2	A5832-1,2
QTY / UNIT	MODEL USED ON	ASS'Y NO.
APPLICATION		
	CODE	

**NOTICE TO PERSONS RECEIVING THIS DRAWING**  
 THE TECHNICAL MATERIEL CORPORATION claims proprietary right in the material disclosed hereon. This drawing is issued in confidence for engineering information only and may not be reproduced or used to manufacture anything shown hereon without permission from THE TECHNICAL MATERIEL CORPORATION to the user. This drawing is loaned for mutual assistance and is subject to recall at any time.

UNLESS OTHERWISE SPECIFIED DIMENSIONS ARE IN INCHES AND INCLUDE CHEMICALLY APPLIED OR PLATED FINISHES		FINAL APPROVAL <i>[Signature]</i>	DATE 4/10/92	<b>THE TECHNICAL MATERIEL CORP.</b> MAMARONECK, NEW YORK  <b>CABLE, COAXIAL</b>	
DECIMALS .X ± .05 FRACTIONS 1/64 TOLS. ANGLES 0°-30'		MECH. DES.	DATE		
MATERIAL		ELECT. DES.	DATE		
FINISH		CHECKED	DATE		
		DRAWN G.D.L.	DATE 4-8-92	SIZE B	CODE IDENT. NO. 82679
				DWG NO. CA 1905	ISSUE 0
				SCALE 1:1	SHEET OF