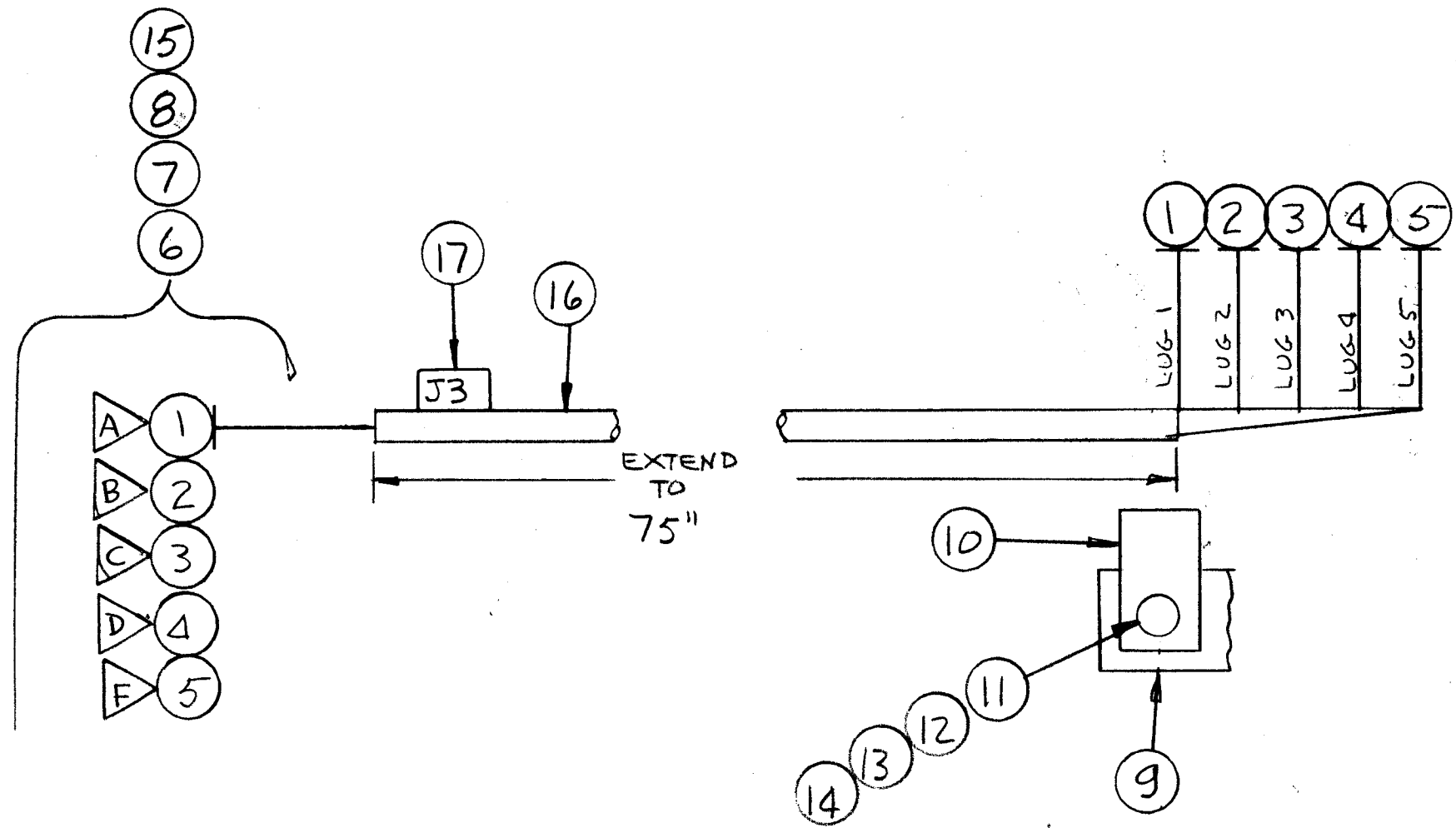


REVISIONS						
ZONE	LTR	DESCRIPTION	DATE	E.M.N.NO	DRAFT	CHKD APPD
	Ø	ORIG RELEASE FOR PROD	1/13/72		W	



REQ'D	ITEM	PART NUMBER	DESCRIPTION	SYM.
	19	BS100	SOLDER, TIN ALLOY	
	18	CD101-1HW	CORD, NYLON, LACING	
1	17	LA107-13-J3	SLV, MIKR, CBL	
	16	PX100-1-208	INS, SLUG, BLK	
	15	PX100-1-106	INS, SLUG, BLK	
1	14	NTH0632BNB	NUT, PLN	
1	13	LWEG6MRN	LOCKWASHER, EXT	
1	12	FW06HBN	WASH, FL	
1	11	SCBP0632BN7	SCREW, MACH	
1	10	CU102-	CLP, CBL	
1	9	TH105-6AL	TERM STRIP, FNG	
	8	MS3420-8A	BUSH, RUB	
1	7	MS3057-8	CLP, CBL	
1	6	MS3106BWS-1P	CONN, PL, ML, 7/C	
	5	LWC20(7)U9	PIN F	LUG 5
	4	94	PIN D	LUG 4
	3	93	PIN C	LUG 3
	2	92	PIN B	LUG 2
	1	LWC20(7)U91	PIN A	LUG 1

1	SYM 1203	
QTY / UNIT	MODEL USED ON	ASS'Y NO.
APPLICATION		
	CODE	
NOTICE TO PERSONS RECEIVING THIS DRAWING THE TECHNICAL MATERIEL CORPORATION claims proprietary right in the material disclosed hereon. This drawing is issued in confidence for engineering information only and may not be reproduced or used to manufacture anything shown hereon without permission from THE TECHNICAL MATERIEL CORPORATION to the user. This drawing is loaned for mutual assistance and is subject to recall at any time.		

UNLESS OTHERWISE SPECIFIED DIMENSIONS ARE IN INCHES AND INCLUDE CHEMICALLY APPLIED OR PLATED FINISHES		FINAL APPROVAL	DATE
DECIMALS .X ± .05 .XX ± .01 .XXX ± .005		<i>[Signature]</i>	6 Dec 71
FRACTIONS 1/64 ANGLES 0° - 30'		MECH. DES.	DATE
MATERIAL		ELECT. DES.	DATE
FINISH		CHECKED	DATE
		DRAWN	DATE
		<i>[Signature]</i>	24 Nov 71

LIST OF MATERIAL			
THE TECHNICAL MATERIEL CORP. MAMARONECK, NEW YORK			
CABLE CHAN SEL			
SIZE	CODE IDENT. NO.	DWG NO.	ISSUE
B	82679	CA1664	Ø
SCALE	SHEET		OF