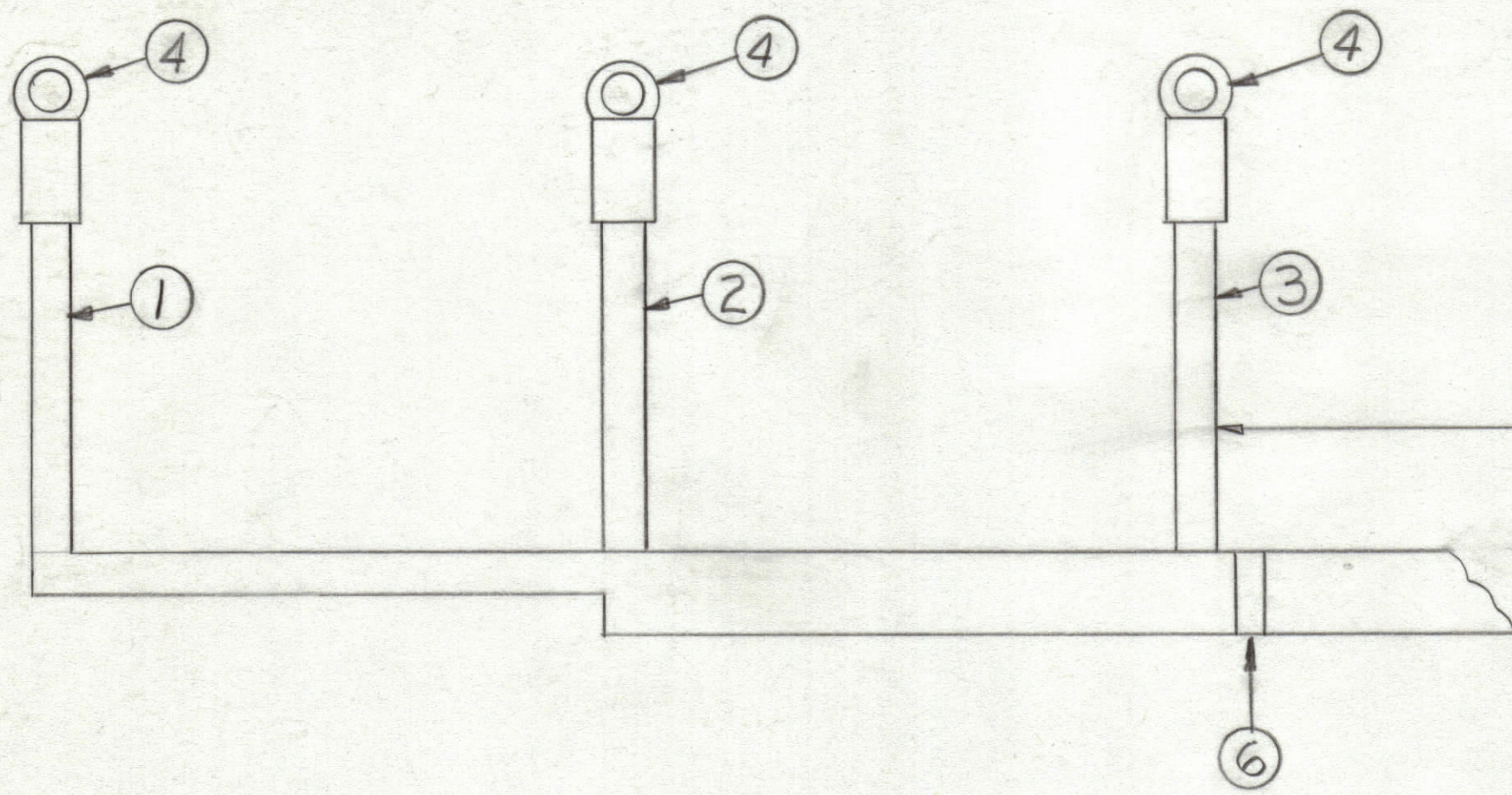
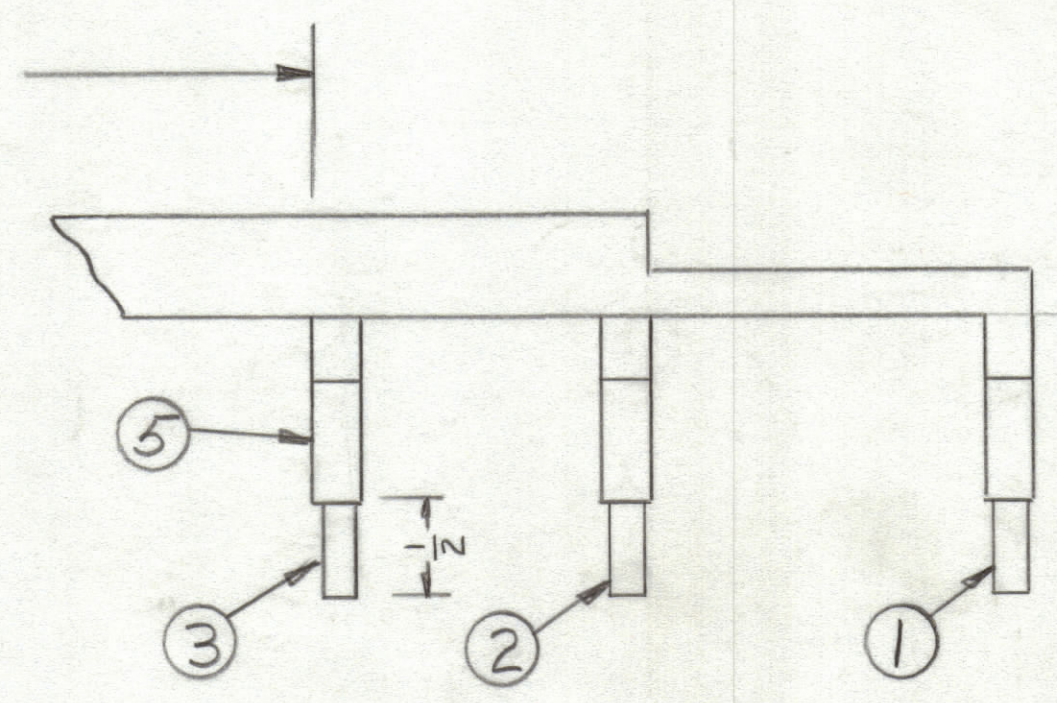


REVISIONS					
ZONE	LTR	DESCRIPTION	DATE	E.M.N.NO	APPD
	Ø	ORIGINAL RELEASE FOR PRODUCTION	3/15/71		P.E.L.



EXTEND TO 54"



QTY. REQ.	ITEM	PART NO.	DESCRIPTION	SYMBOL
	10			
	9			
	8			
	7	BS100	SOLDER, TIN ALLOY	
12	6	CU142-2	STRAP, CBL	
	5	PX830-6-1	INS, SLUG, SHRINK	
3	4	TE197-4-25	TERM, LUG	
	3	HWC6(127)B90	WIRE, ELEC, INS	
	2	HWC6(127)B92	WIRE, ELEC, INS	
	1	HWC6(127)B9	WIRE, ELEC, INS	

BUDETTI LIST OF MATERIAL					
FINAL APPROVAL	DATE	THE TECHNICAL MATERIEL CORP.			
<i>[Signature]</i>	15 Mar 71	MAMARONECK, NEW YORK			
MECH. DES.	DATE	CBL, PWR			
ELECT. DES.	DATE				
CHECKED	DATE				
DRAWN	DATE				
		SIZE	CODE IDENT. NO.	DWG NO.	ISSUE
		C	82679	CA1615	Ø
SCALE			SHEET OF		

UNLESS OTHERWISE SPECIFIED DIMENSIONS ARE IN INCHES AND INCLUDE CHEMICALLY APPLIED OR PLATED FINISHES

TOLERANCES ON

DECIMALS	FRACTIONS
.X ± .05	± 1/64
.XX ± .01	ANGLES
.XXX ± .005	± 0° -30'

MATERIAL

FINISH

1	GPTH-10KLA	AX5123
QTY / UNIT	MODEL USED ON	ASS'Y NO.
APPLICATION		
	CODE	
<p>NOTICE TO PERSONS RECEIVING THIS DRAWING</p> <p>THE TECHNICAL MATERIEL CORPORATION claims proprietary right in the material disclosed hereon. This drawing is issued in confidence for engineering information only and may not be reproduced or used to manufacture anything shown hereon without permission from THE TECHNICAL MATERIEL CORPORATION to the user. This drawing is loaned for mutual assistance and is subject to recall at any time.</p>		

CA1615