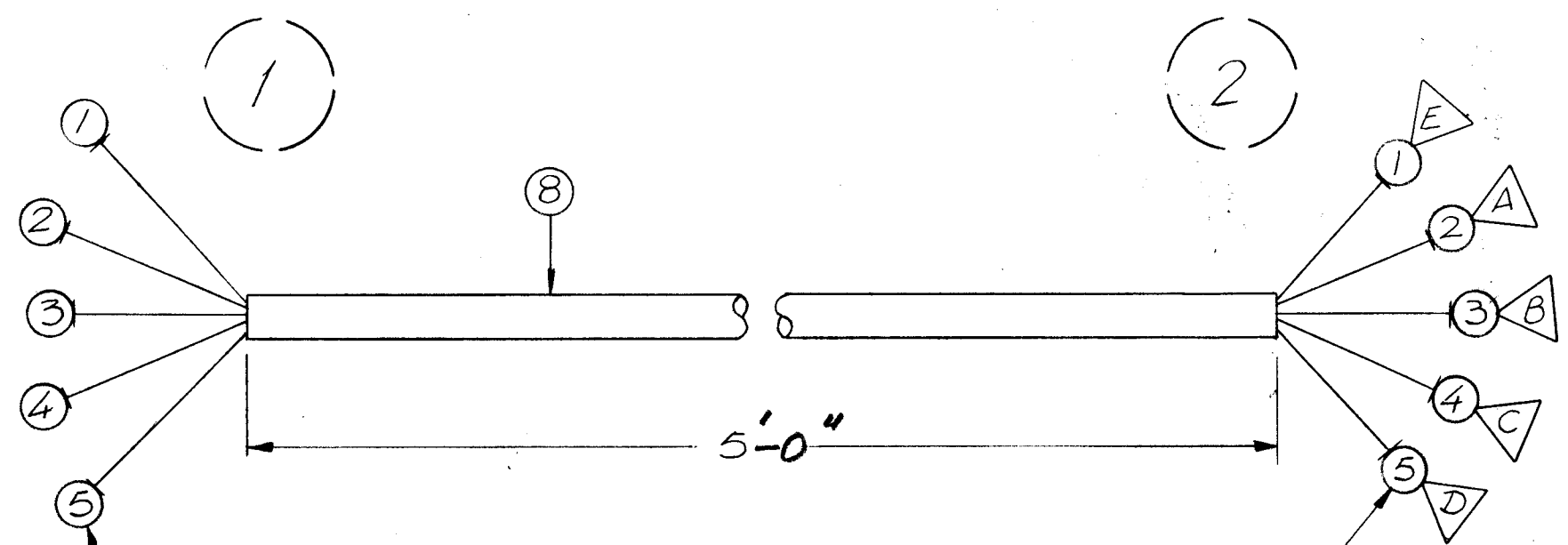


REVISIONS						
ZONE	LTR	DESCRIPTION	DATE	E.M.N.NO	DRAFT	CHKD APPD
	X	EXP RELEASE	7/18/69		GE	
	Ø	ORIGINAL RELEASE FOR PRODUCTION	4/13/70		W	

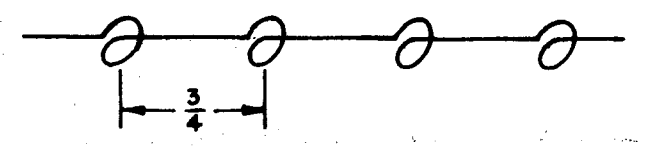


ITEM 7 TYPICAL OF ITEMS 1 THRU 5

ITEM 6 TYPICAL OF ITEMS 1 THRU 5

THIS SYMBOL DENOTES END OF INSULATION AND NAIL DRIVING POINT. WIRE MUST BE STRIPPED 3/4" BEYOND THIS POINT AND TINNED 1/2" UNLESS OTHERWISE SPECIFIED.

WIRES SHOULD BE PLACED IN CABLE IN NUMERICAL SEQUENCE AS THEY APPEAR IN ITEM COLUMN. SPACE LACING APPROXIMATELY 3/4" APART.



1	8	PX100-1-186	INSULATION, SLEEVING, ELECTRICAL			
1	7	PL247-2P	CONNECTOR PLUG			
5	6	TE-120-2	SPADE LUG			
1	5	MWC22(7)495	1	2	TB3003-16	PL247-2P PIN D
	4	94			15	C
	3	93			14	B
	2	92			13	A
1	1	MWC22(7)496	1	2	TB3003-12	PL247-2P PINE
REQ'D	ITEM	PART NUMBER	FROM	TO	DESCRIPTION	SYM.

S. De MARCO LIST OF MATERIAL

FINAL APPROVAL <i>S. De Marco</i>	DATE 4-13-70	THE TECHNICAL MATERIEL CORP. MAMARONECK, NEW YORK	
MECH. DES.	DATE	AUDIO SELECT INTERCONNECT CABLE	
ELECT. DES.	DATE	SIZE B	ISSUE Ø
CHECKED <i>[Signature]</i>	DATE 5/5/69	CODE IDENT. NO. 82679	DWG NO. CA/5/3
DRAWN G. EVANGELIST	DATE 7/18/69	SCALE SHEET OF	

1	DDRR-5B	
QTY / UNIT	MODEL USED ON	ASS'Y. NO.
APPLICATION		
	CODE	
NOTICE TO PERSONS RECEIVING THIS DRAWING THE TECHNICAL MATERIEL CORPORATION claims proprietary right in the material disclosed hereon. This drawing is issued in confidence for engineering information only and may not be reproduced or used to manufacture anything shown hereon without permission from THE TECHNICAL MATERIEL CORPORATION to the user. This drawing is loaned for mutual assistance and is subject to recall at any time.		
FINISH		