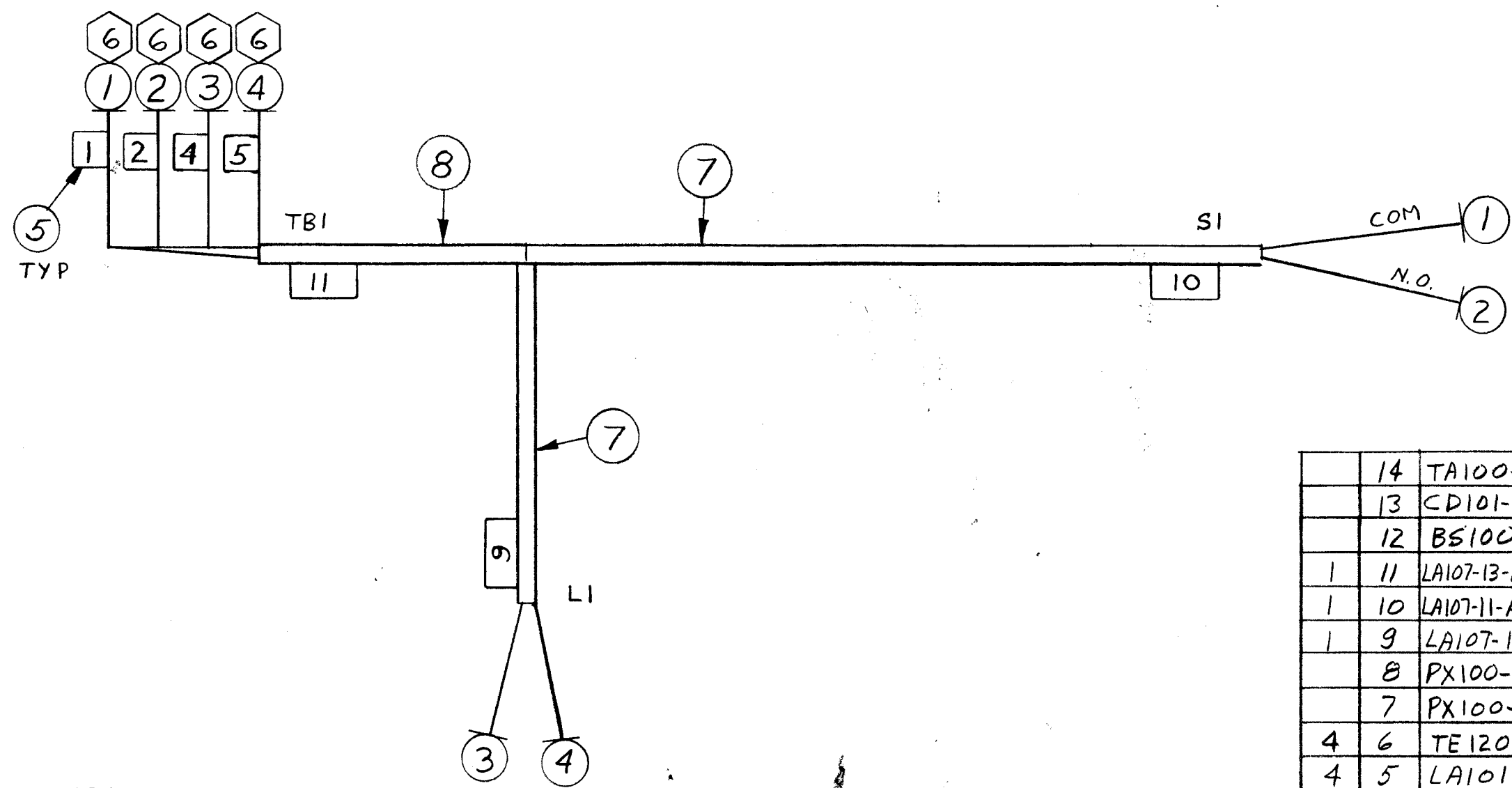
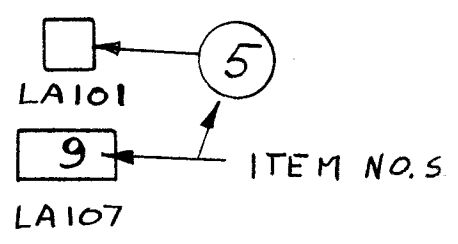


REVISIONS							
ZONE	LTR	DESCRIPTION	DATE	E.M.N.NO	DRAFT	CHKD	APPD
	1	ORIG RELEASE FOR PROD	4/27/70		CV		



MARKERS



REQ'D	ITEM	PART NUMBER	DESCRIPTION	SYM.
	14	TA100-1	TAPE, ELEC, INS	
	13	CD101-1MW	CORD, NYLON, LACING	
	12	BS100	SOLDER, TIN, ALLOY	
1	11	LA107-13-AB01TBI	SLV, MKR, CBL	
1	10	LA107-11-AB01SI	SLV, MKR, CBL	
1	9	LA107-11-AB01LI	SLV, MKR, CBL	
	8	PX100-1-208	INS, SLVG, BLK	
	7	PX100-1-166	INS, SLVG, BLK	
4	6	TE120-2	TERM, LUG, SPADE	
4	5	LA101	BAND, MKR, CBL	
	4	MWC20(7)U8	A70BTBI TERM 5	AB01LI
	3	MWC20(7)U9		4 AB01LI
	2	MWC20(7)U4		2 AB01LI-N.O.
	1	MWC20(7)U94	A70BTBI TERM 1	AB01SI-COM

BUDETTI LIST OF MATERIAL

FINAL APPROVAL	DATE	<b>THE TECHNICAL MATERIEL CORP.</b> MAMARONECK, NEW YORK  <b>CABLE, H.V. SHORT. ASS'Y</b>
MECH. DES. <i>CB</i>	DATE	
ELECT. DES. <i>W</i>	DATE	
CHECKED	DATE	
DRAWN <i>W</i>	DATE	SIZE B    CODE IDENT. NO. 82679    DWG NO. CA1504    ISSUE <input checked="" type="checkbox"/>
MATERIAL		SCALE
FINISH		SHEET OF

1	PALA-10K	AX5096
QTY / UNIT	MODEL USED ON	ASS'Y NO.
APPLICATION		
CODE		
NOTICE TO PERSONS RECEIVING THIS DRAWING THE TECHNICAL MATERIEL CORPORATION claims proprietary right in the material disclosed hereon. This drawing is issued in confidence for engineering information only and may not be reproduced or used to manufacture anything shown hereon without permission from THE TECHNICAL MATERIEL CORPORATION to the user. This drawing is loaned for mutual assistance and is subject to recall at any time.		

UNLESS OTHERWISE SPECIFIED DIMENSIONS ARE IN INCHES AND INCLUDE CHEMICALLY APPLIED OR PLATED FINISHES

DECIMALS	FRACTIONS
.X ± .05	1/64
.XX ± .01	TOLS. ANGLES
.XXX ± .005	0° - 30'