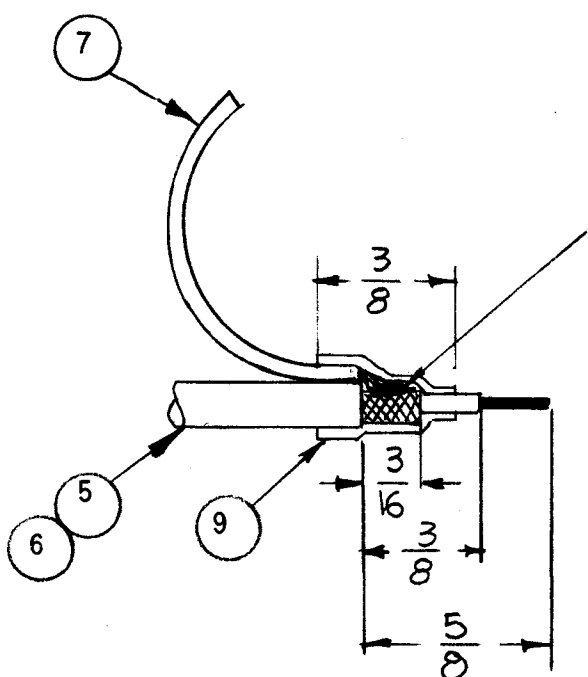
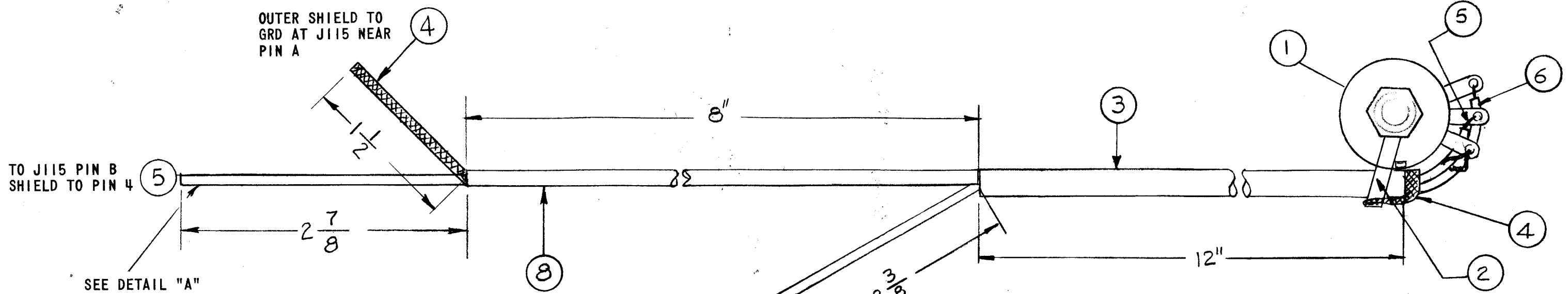


REVISIONS							
ZONE	LTR	DESCRIPTION	DATE	E.M.N.NO	DRAFT	CHKD	APPD
	X	EXP. RELEASE	11-2-67		G.D.L		
	Ø	ORIG. RELEASE FOR PROD.	11-10-67	Ø	RG		<i>JW</i>



REQ'D	ITEM	PART NUMBER	DESCRIPTION	SYM.
X	10	BS100	SOLDER, TIN ALLOY	
2	9	PX830-12-1	INSULATION, SLEEVING SHRINK	
8"	8	PX830-8-1	INSULATION, SLEEVING SHRINK	
2	7	LWC26(7)Ø9	WIRE, ELECTRICAL INSULATION	
16"	6	RG188/U'	CABLE, RF	
24"	5	RG188/U	CABLE, RF	
X	4	WL103-4	BRAID, WIRE FLAT	
12"	3	PX830-6-1	INSULATION, SLEEVING SHRINK	
1	2	TE111-2	TERMINAL, LUG	
1	1	RV4NAYSIO1A	RESISTOR, VARIABLE	

LIST OF MATERIAL

1	LFE-1	
QTY / UNIT	MODEL USED ON	ASS'Y NO.
APPLICATION		
	CODE	S401-451

NOTICE TO PERSONS RECEIVING THIS DRAWING
 THE TECHNICAL MATERIEL CORPORATION claims proprietary right in the material disclosed hereon. This drawing is issued in confidence for engineering information only and may not be reproduced or used to manufacture anything shown hereon without permission from THE TECHNICAL MATERIEL CORPORATION to the user. This drawing is loaned for mutual assistance and is subject to recall at any time.

UNLESS OTHERWISE SPECIFIED DIMENSIONS ARE IN INCHES AND INCLUDE CHEMICALLY APPLIED OR PLATED FINISHES

DECIMALS .X ± .05 .XX ± .01 .XXX ± .005	FRACTIONS 1/64 ANGLES 0°-30'
--	---------------------------------------

MATERIAL

FINISH

FINAL APPROVAL <i>[Signature]</i>	DATE 11/10/67
MECH. DES.	DATE
ELECT. DES. <i>[Signature]</i>	DATE 11/10/67
CHECKED <i>[Signature]</i>	DATE 11-10-67
DRAWN G.D.L	DATE 11-2-67
11/10/67 <i>[Signature]</i>	11/10/67

THE TECHNICAL MATERIEL CORP.
 MAMARONECK, NEW YORK

CABLE ASSEMBLY
 RF GAIN

SIZE B	CODE IDENT. NO. 82679	DWG NO. CA 1392	ISSUE Ø
SCALE 1:1		SHEET OF	