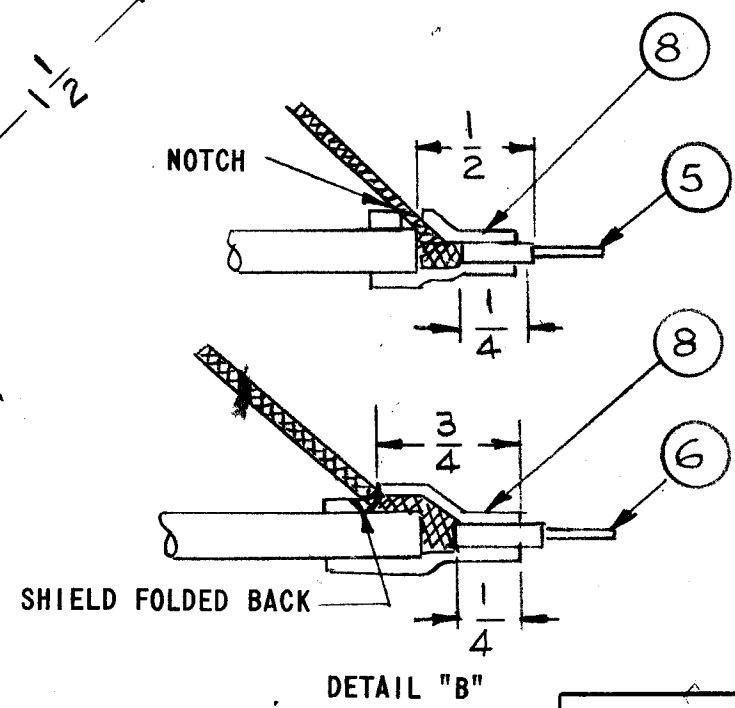
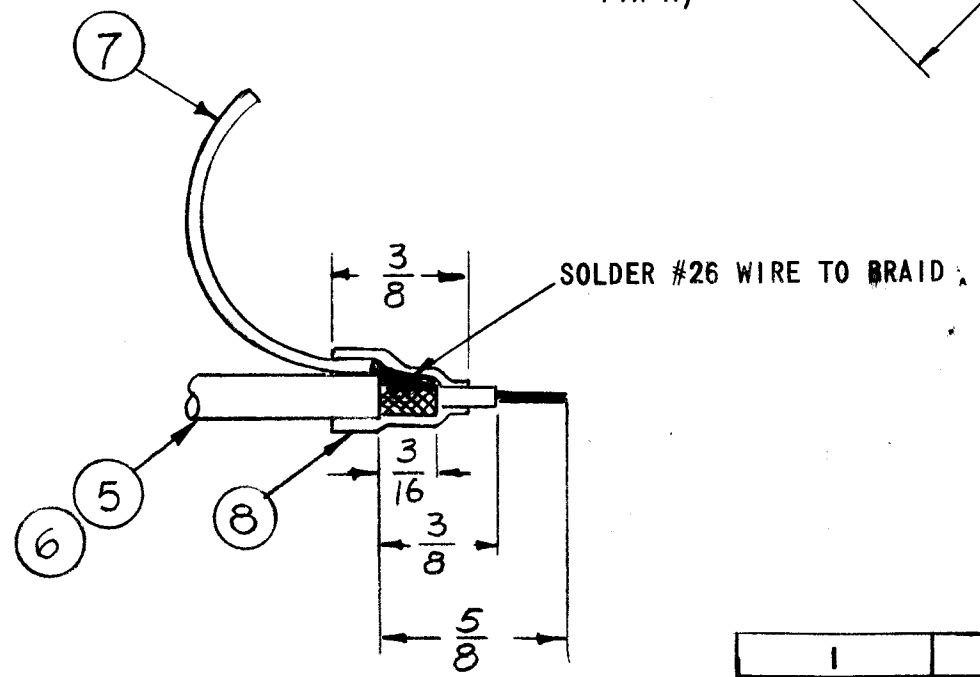
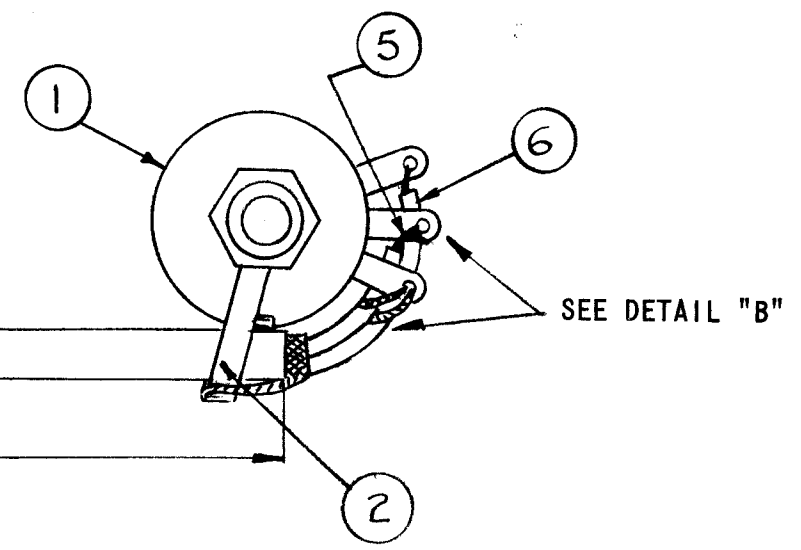
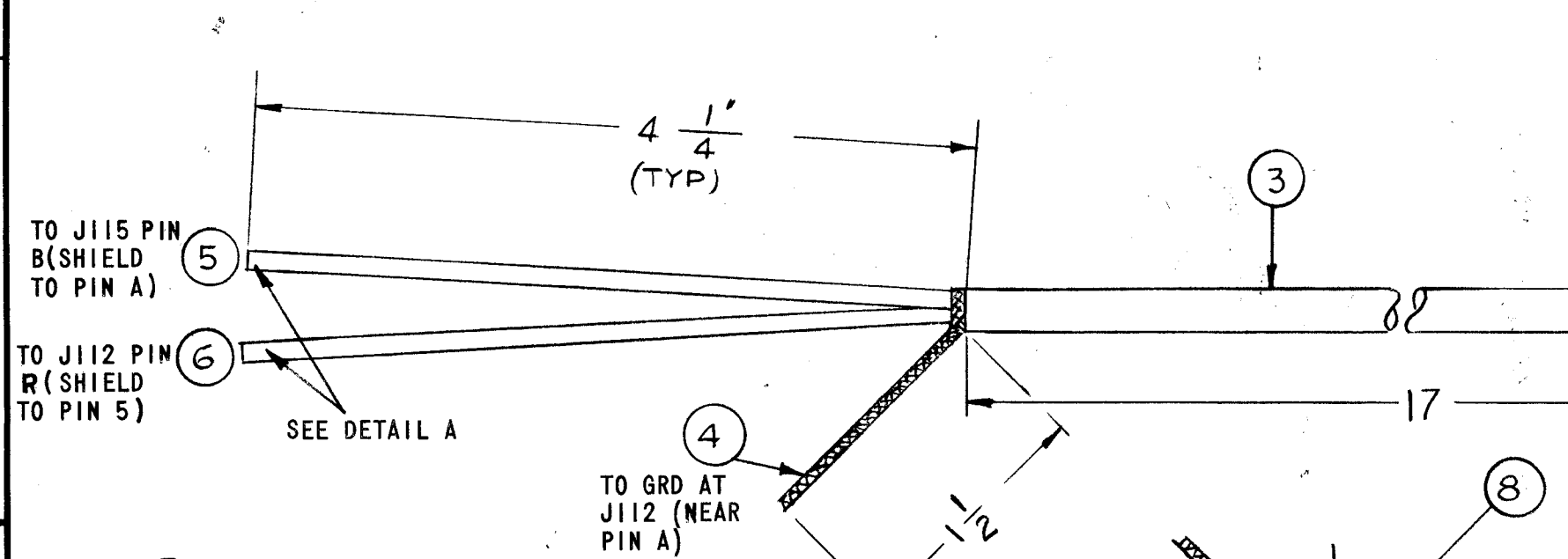


REVISIONS						
ZONE	LTR	DESCRIPTION	DATE	E.M.N.NO	DRAFT	CHKD APPD
	X	EXPERIMENTAL RELEASE	10-30-67		G.D.L.	
	Q	ORIG. RELEASE FOR PROD	11/10/67	Q	Enf	A. De
	A	DETAIL "B" ADDED ITEM 1 WAS RV4NAYS501A	8-30-68	19045	G.D.L.	Bob G.P.



REQ'D	ITEM	PART NUMBER	DESCRIPTION	SYM.
X	9	BS100	SOLDER, TIN ALLOY	
3/8	8	PX830-12-1	INSULATION, SLEEVING SHRINK	
2	7	LWC26(7)UO	WIRE, ELECTRICAL INS.	
24"	6	RG188/U	CABLE, RF	
23"	5	RG188/U	CABLE, RF	
X	4	WL103-4	BRAID, WIRE FLAT	
17"	3	PX830-6-1	INSULATION, SLEEVING, SHRINK	
1	2	TE111-2	TERMINAL, LUG	
1	1	RV4NAYS501A	RESISTOR, VARIABLE	

O. POSE LIST OF MATERIAL

THE TECHNICAL MATERIEL CORP.  
MAMARONECK, NEW YORK

CABLE, ASSEMBLY  
RF GAIN

SIZE	CODE IDENT. NO.	DWG NO.	ISSUE
B	82679	CA 1391	A

SCALE 1:1 SHEET OF

QTY / UNIT	MODEL USED ON	ASS'Y NO.
1	MMX-( )	
APPLICATION		
	CODE	S401-451

NOTICE TO PERSONS RECEIVING THIS DRAWING  
THE TECHNICAL MATERIEL CORPORATION claims proprietary right in the material disclosed hereon. This drawing is issued in confidence for engineering information only and may not be reproduced or used to manufacture anything shown hereon without permission from THE TECHNICAL MATERIEL CORPORATION to the user. This drawing is loaned for mutual assistance and is subject to recall at any time.

UNLESS OTHERWISE SPECIFIED DIMENSIONS ARE IN INCHES AND INCLUDE CHEMICALLY APPLIED OR PLATED FINISHES

DECIMALS: .X ± .05, .XX ± .01, .XXX ± .005  
FRACTIONS: 1/64  
TOLS. ANGLES: 0°-30'

FINISH

FINAL APPROVAL: [Signature] DATE: 11/10/67  
MECH. DES.  
ELECT. DES. [Signature] DATE: 11/10/67  
CHECKED: [Signature] DATE: 11-10-67  
DRAWN: G.D.L. DATE: 10-30-67  
M/L Allen