

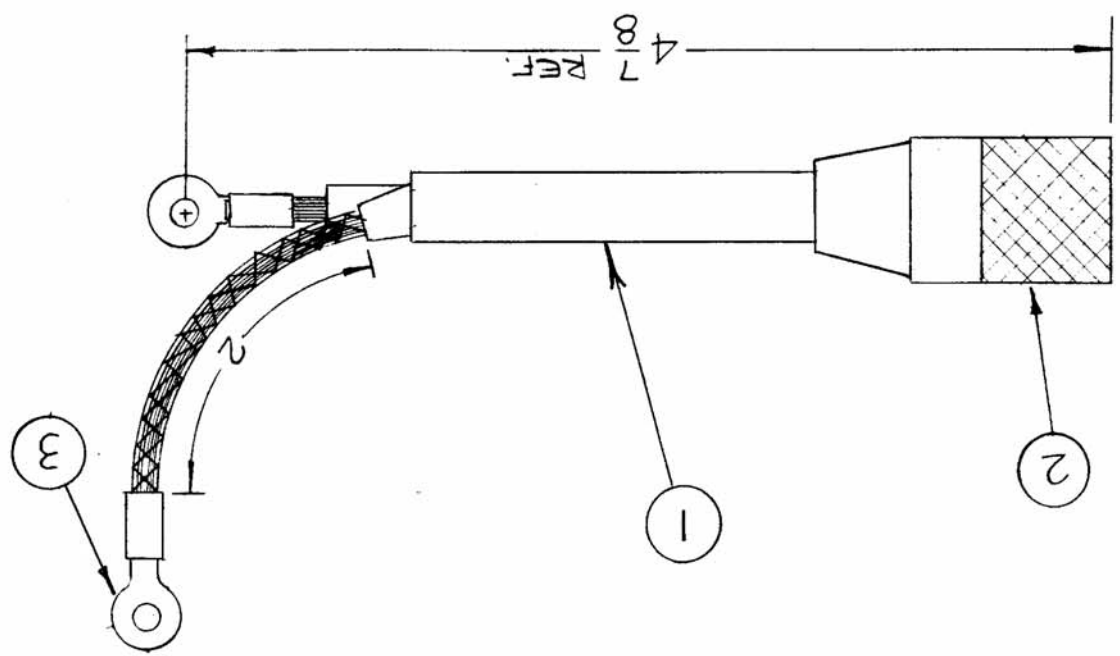
NOTICE TO PERSONS RECEIVING THIS DRAWING
 THE TECHNICAL MATERIEL CORPORATION claims proprietary right in the material disclosed hereon. This drawing is issued in confidence for engineering information only and may not be reproduced or used to manufacture anything shown hereon without permission from THE TECHNICAL MATERIEL CORPORATION to the user. This drawing is loaned for mutual assistance and is subject to recall at any time.

SCALE: 1:1 M/L
 SHEET 1 OF 1
 SIZE: A
 CODE IDENT. NO.: 82679
 DWG. NO.: CA1388
 ISSUE: 0

DATE: 9-27-67	DRAWN: <i>J. Macdonald</i>	SA01-451
DATE: 10-7-67	CHECKED: <i>MP</i>	FINISH
DATE: 10/1/67	ELECT. DES: <i>J.F.</i>	MATERIAL
DATE: 10/1/67	MECH. DES: <i>J.V.B.</i>	DECIMALS: .XXX ± .005 X ± .01 XX ± .01 TOLS. 1/64 ANGLES ° 30'
DATE: 10/6/67	FINAL APPROVAL: <i>F. BUDETTI</i>	UNLESS OTHERWISE SPECIFIED DIMENSIONS ARE IN INCHES AND INCLUDE CHEMICALLY APPLIED OR PLATED FINISHES

LIST OF MATERIAL

SYM.	DESCRIPTION	PART NUMBER	REQ'D	ITEM
	SOLDER, TID ALLOY	BS100	X	4
	TERM LUG, INS	TE159-32960	2	3
	COUD, PL, UHF	PL259A	1	2
	CABLE RF COAXIAL	RG11/U	X	1



APPLICATION				REVISIONS			
QTY	MODEL USED ON	ASSY. NO.	LTR	DESCRIPTION	DATE	E.M.N.NO	DRAFT
1	LRP-2		X	EXP. RELEASE	9-27-67		<i>M.B.</i>
				ORIG. RELEASE FOR PROD	10-9-67		<i>C.V.</i>