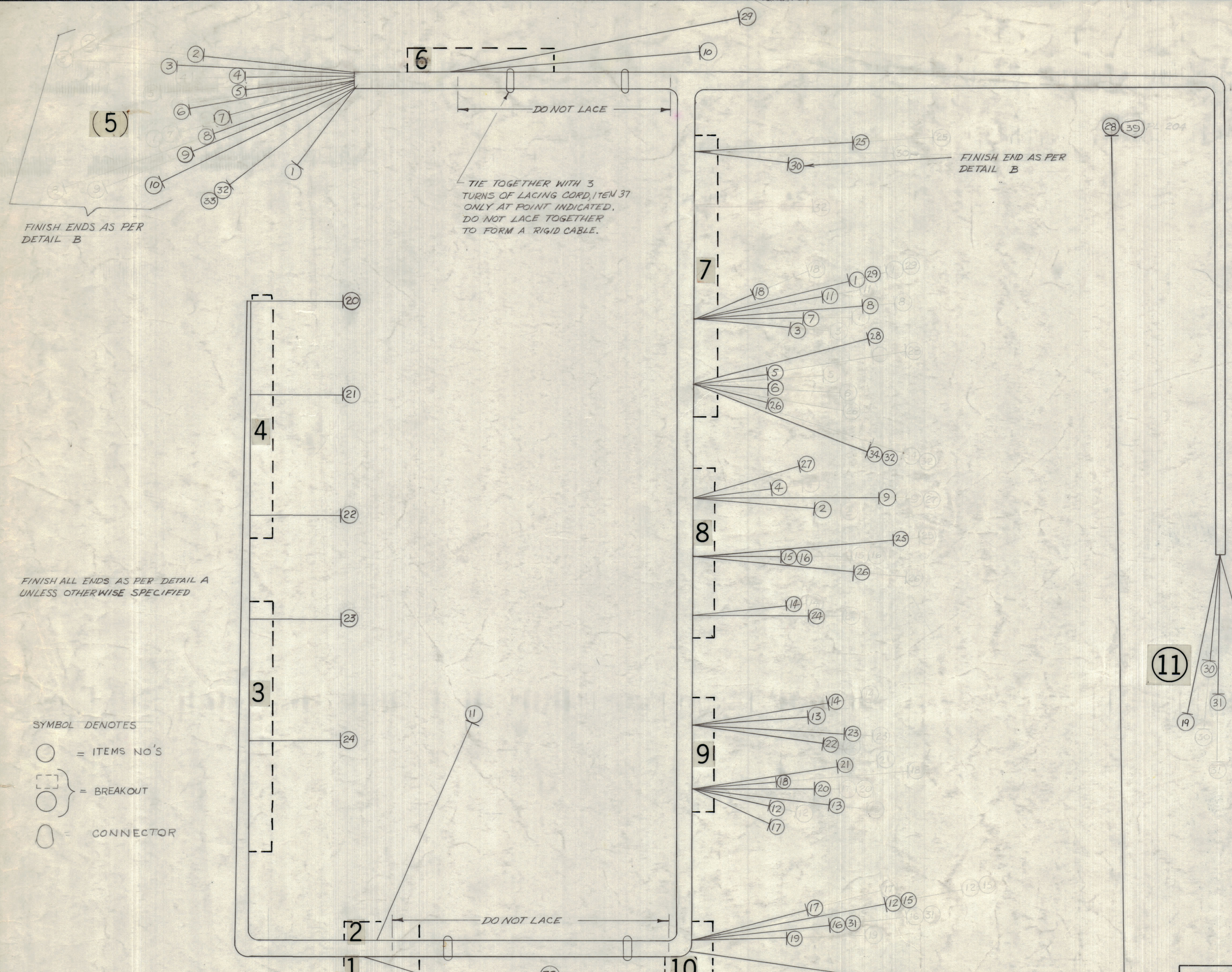


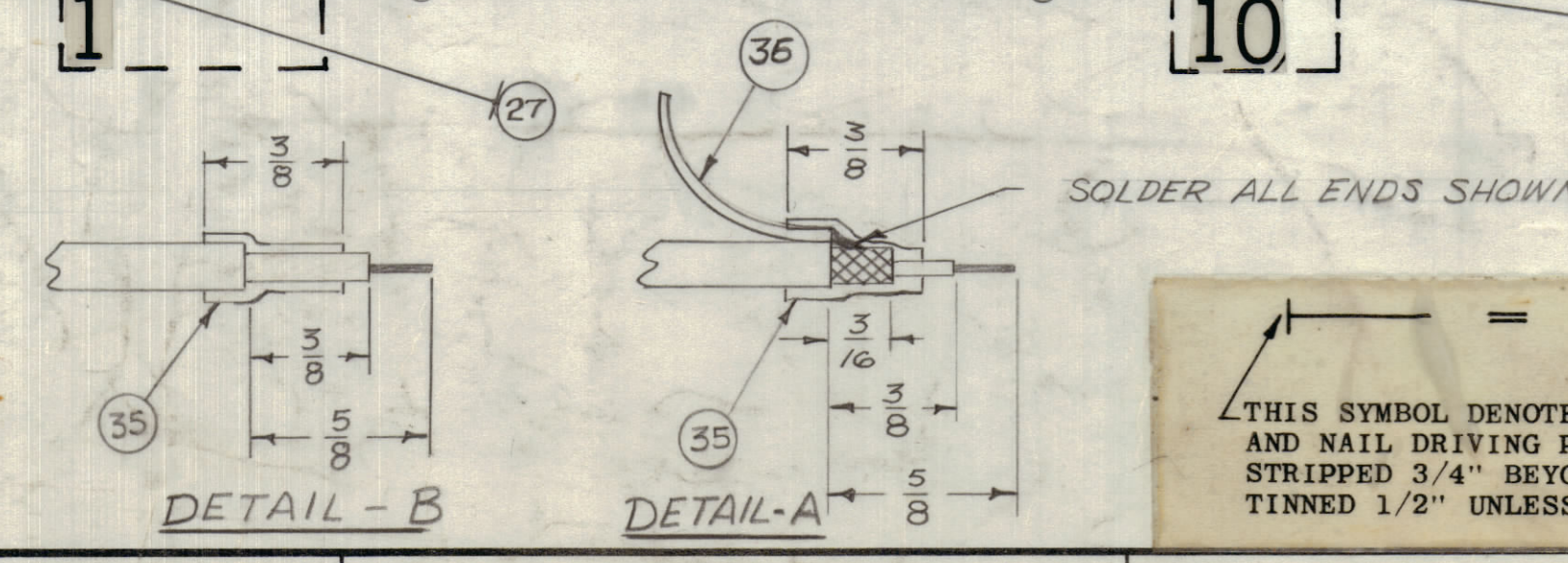
		REVISIONS					
ZONE	LTR	DESCRIPTION	DATE	E.M.N.NO	DRAFT	CHKD	APPD
	X	EXP. RELEASE	10/6/67				
	XI	ITEM 18 WAS FROM 1104 PIN 2 SHD PIN A"					
		ITEM 17 WAS TO J104 PIN 2 SHD PIN A"	11-9-67		GDL		
		ORIGINAL RELEASE FOR PRODUCTION	12-11-67		RG		
	A	REV. LEAD LENGTH & BREAKOUTS	9/11/68	18852			



UNLESS OTHERWISE SPECIFIED WIRES SHOULD BE PLACED IN CABLE IN NUMERICAL SEQUENCE AS THEY APPEAR IN ITEM COLUMN BY CATEGORY.

- ALL R.F. CABLES
- ALL SHIELDED CABLES
- ALL OTHERS

SPACE LACING APPROXIMATELY 3/4" APART.



THIS SYMBOL DENOTES END OF INSULATION AND NAIL DRIVING POINT. WIRE MUST BE STRIPPED 3/4" BEYOND THIS POINT AND TINNED 1/2" UNLESS OTHERWISE SPECIFIED.

QTY / UNIT	MODEL USED ON	ASS'Y NO.
	LFE-1	
APPLICATION		
CODE	S401-451	
NOTICE TO PERSONS RECEIVING THIS DRAWING		
THE TECHNICAL MATERIEL CORPORATION claims proprietary right in the material disclosed hereon. This drawing is issued in confidence for engineering information only and may not be reproduced or used to manufacture anything shown hereon without permission from THE TECHNICAL MATERIEL CORPORATION to the user. This drawing is loaned for mutual assistance and is subject to recall at any time.		

UNLESS OTHERWISE SPECIFIED DIMENSIONS ARE IN INCHES AND INCLUDE CHEMICALLY APPLIED OR PLATED FINISHES	FINAL APPROVAL DATE 12/11/67	DATE 12/11/67
TOLERANCES ON	ELECT. DES. DATE 12/11/67	DATE 12/11/67
DECIMALS .X ± .05 .XX ± .01 .XXX ± .005	CHECKED DATE 12-11-67	DATE 9-19-67
FRACTIONS ± 1/64 ANGLES ± 0°-30'	DRAWN ENJ	DATE 9-19-67
MATERIAL	APR actor	DATE 12/11/67
FINISH		

THE TECHNICAL MATERIEL CORP. MAMARONECK, NEW YORK	
WIRING HARNESS, BRANCHED (RF)	
SIZE	CODE IDENT. NO. DWG NO.
D 82679	CA 1368
SCALE 1:1	SHEET OF

FROM	TO	QTY. REQ.	ITEM	PART NO.	FROM	DESCRIPTION	TO	SYMBOL
		1	39	PL204		CONNECTOR, PL RF MIN		
		X	38	BS100		SOLDER, TIN ALLOY		
		X	37	CD101-1MW		CORD, NYLON LACING		
		X	36	LWC26(7)UO		WIRE, ELEC INS 4-1/2" LONG		
		X	35	PX830-12-1		INS ELEC SHRINK		
7	11	34	RG174/U		J111 PIN 15 SHD PIN R	S110 CONT 1 SHD SEE CK1409		
5	11	33			S114C REAR CONT 7 SHD SEE CK1409	S110 CONT 2 SHD SEE CK1409		
5	7	32			S114C REAR CONT 8 SHD SEE CK1409	J111 PIN 13 SHD PIN R		
10	11	31			J101 PIN 5 SHD PIN 7	S108 SEE CK1409		
7	11	30			J115 5	J123 SHD GRD		
6	7	29			J112 N P	R102A SEE CK1409		
7	10	28			J111 14 R	P305 SEE CK1409		
8	1	27			J109 E N	J118 SEE CK1409		
7	8	26			J108 M L	J111 PIN 4 SHD PIN D		
7	8	25			J108 13 R	J115 PIN 13 SHD PIN 14		
8	3	24			J107 H E	S105A FRONT CONT 1 SHD SEE CK1409		
9	3	23			J105 10 L	S104A		
9	4	22			J105 H E	S103A		
9	4	21			J104 10 L	S102A		
9	4	20			J104 H E	S101A FRONT CONT 1 SHD SEE CK1409		
10	11	19			J101 A B	J120 CENTER SHD GRD		
7	9	18			J104 B A	J112 PIN A SHD PIN B		
9	10	17			J101 3 B	J104 B A		
8	10	16			J101 B J	J108 B A		
8	10	15			J101 P R	J108 B A		
8	9	14			J105 K L	J107 C B		
9	9	13			J105 C D	J104 K L		
9	10	12			J101 PIN S SHD PIN 15	J104 PIN C SHD PIN D		
7	2	11			S115A REAR CONT 10	J112 PIN 8 SHD PIN 13		
5	6	10			S114C 6	R102A ARM SHD GRD		
5	8	9			S114C 4	J109 PIN S SHD PIN R		
5	7	8			S114C 2	J112 14 P		
5	7	7			S114B 9	J112 J K		
5	7	6			S114B 8	J111 2 B		
5	7	5			S114A 10	J111 F K		
5	8	4				J109 A B		
5	7	3				J112 F E		
5	8	2				J109 K L		
5	7	1	RG174/U		S114A REAR CONT 1	J112 PIN 12 SHD PIN 13		

CA 1368 A