

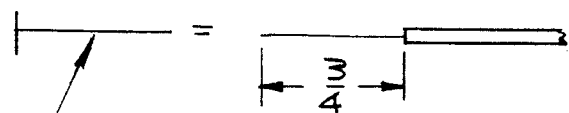
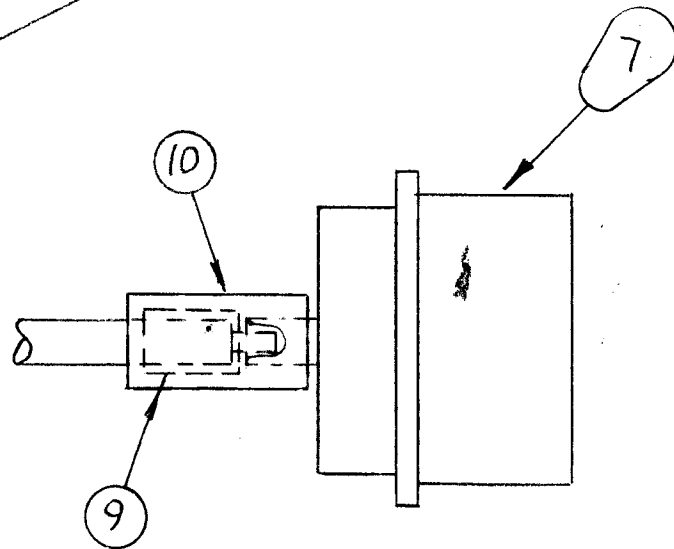
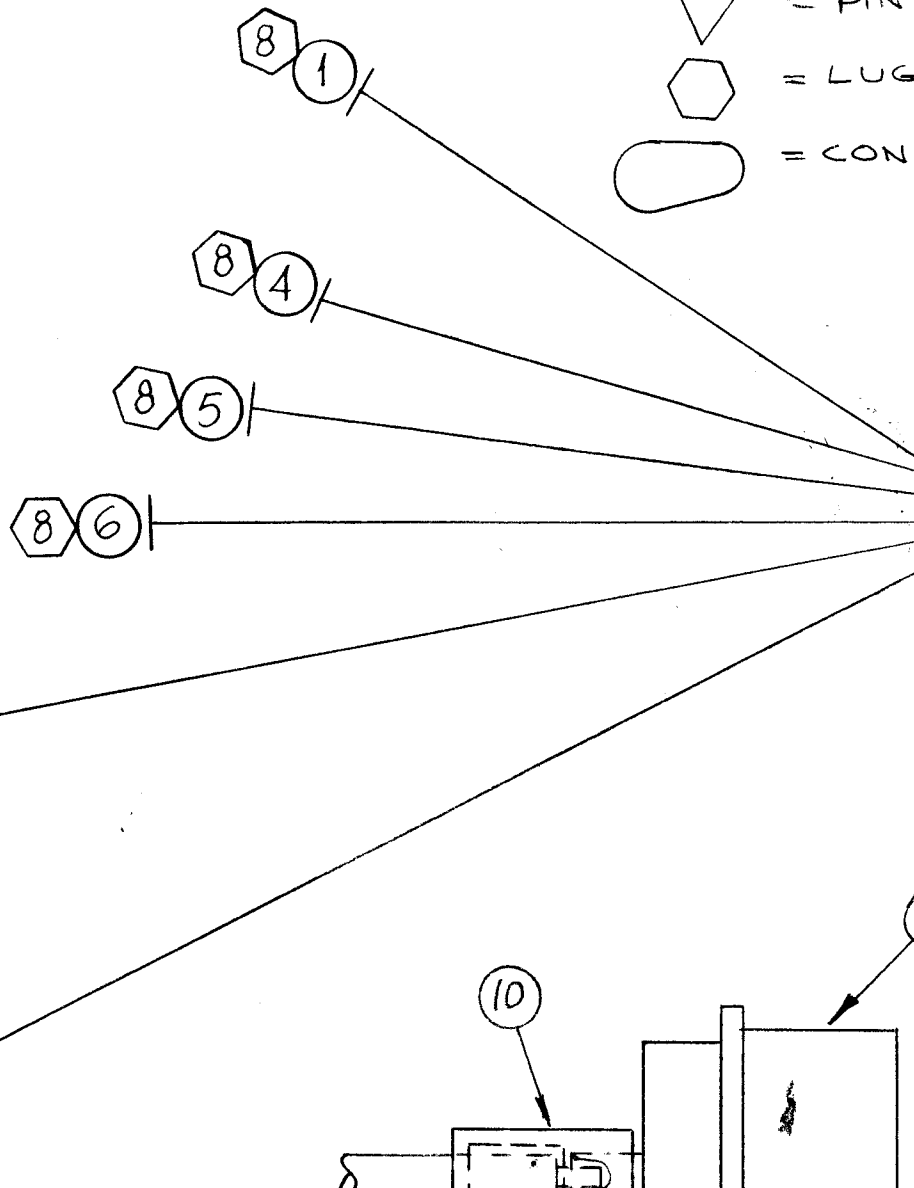
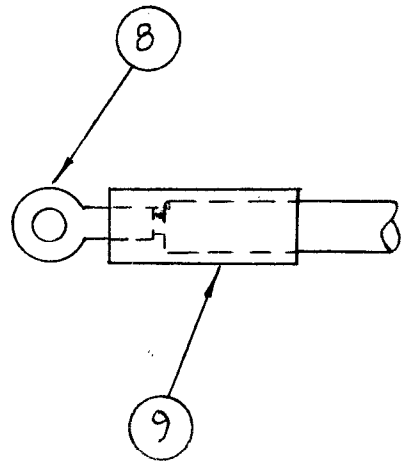
SYMBOL - DENOTES

- = ITEM NOS
- △ = PINS
- ⬡ = LUGS
- ⬭ = CONNECTORS

CA1255

REVISIONS

SYM	DESCRIPTION	DATE	E.M.N. NO.	DRAFT	CHKD	APPD
X	EXPERIMENTAL RELEASE	7-19-66	X			
∅	RELEASED FOR PRODUCTION	3-10-67		L.A.K.		



THIS SYMBOL DENOTES END OF INSULATION AND NAIL DRIVING POINT. WIRE MUST BE STRIPPED 3/4" BEYOND THIS POINT & TINNED 1/2" UNLESS OTHERWISE SPECIFIED.

REQ'D.	ITEM	PART NUMBER	DESCRIPTION	SYMBOL
X	12	BS100	SOLDER, TIN ALLOY	
X	11	PX830-500-1	INS. SLVG. ELECT. SHRINK TYPE	
X	10	PX100-1-250	INS. SLVG. ELECT.	
X	9	PX830-8-1	INS. SLVG. ELECT. SHRINK TYPE	
6	8	TE141-3	TERM. LUG #10	
1	7	MS3102A-24-10P	CONN. RECP. ML.	
	6	HWC10(37)B7	WIRE, ELECT. BRD.	
	5	B8		
	4	B9		
	3	B7		
	2	B8		
	1	HWC10(37)B9	WIRE, ELECT. BRD	

F. BUDETTI

LIST OF MATERIAL

MATERIAL _____

FINISH _____

TITLE: CABLE, AC

UNLESS OTHERWISE SPECIFIED DIMENSIONS ARE IN INCHES AND INCLUDE CHEMICALLY APPLIED OR PLATED FINISHES

DECIMALS: .X ± .05, .XX ± .01, .XXX ± .005

FRACTIONS: ± 1/64, ANGLES: ± 0° 30'

TOLERANCES

DRAWN: [Signature], DATE: 7-19-66

CHECKED: [Signature], DATE: [Blank]

ELECT. DES.: [Signature], DATE: [Blank]

MECH. DES.: [Signature], DATE: [Blank]

FINAL APPROVAL: [Signature], DATE: 3/19/67

SHEET: CA1255

REV. LTR. [Blank]

Q'TY./UNIT	MODEL USED ON	ASS'Y. NO.
1	TCP-3	
1	TCP-1	
SCALE	CODE	
1:1	A	

THE CONTENTS OF THIS DRAWING ARE THE EXCLUSIVE PROPERTY OF THE TECHNICAL MATERIEL CORP. ITS UNAUTHORIZED USE OR REPRODUCTION IN WHOLE OR IN PART IS STRICTLY FORBIDDEN.

NOTES