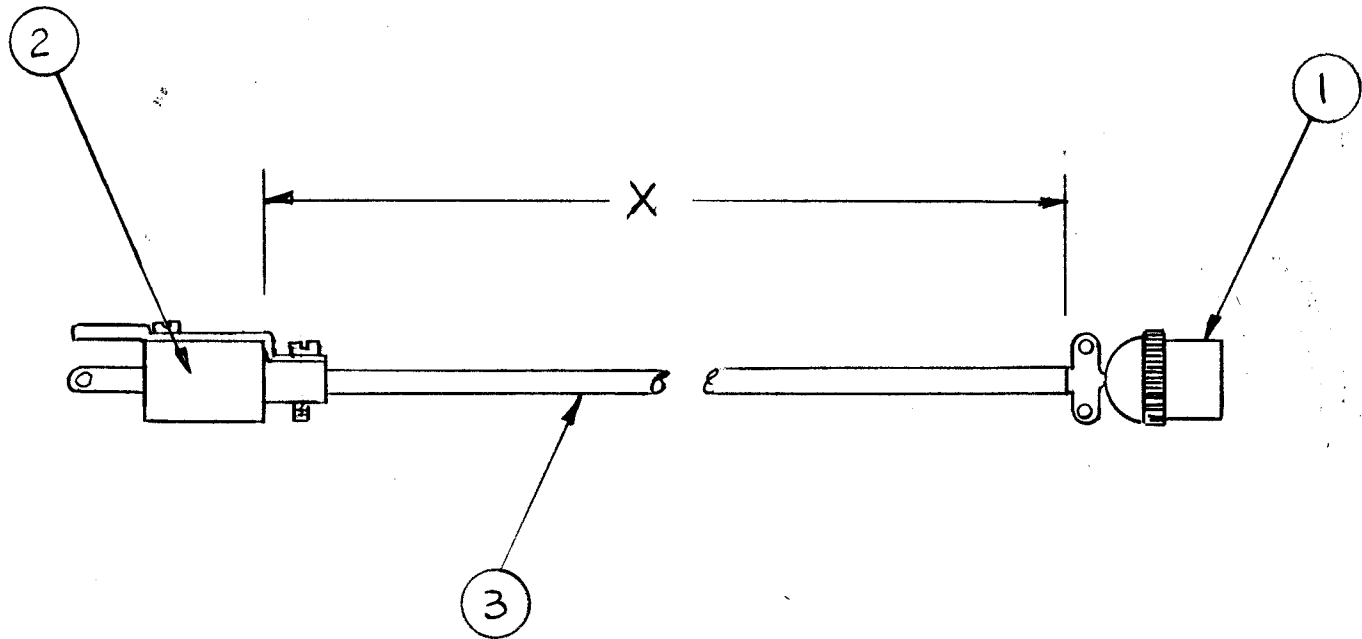


REVISIONS							
E.M.N. NO.	DRAFT	CHKD	ZONE	LTR	DESCRIPTION	DATE	APPROVED
	G.D.L			Ø	ORIGINAL RELEASE FOR PRODUCT.	12-9-86	



CA 1196 - XX

TMC PNO-                      DIMENSION IN FEET

REQ'D	ITEM	PART NUMBER	DESCRIPTION	SYM.
X'	3	WI 121-10	PWR CORD, COILED	
	1	PL 218	CONNECTOR, PLOG	
	1	PL 176	TWIST LOCK PLUG FEMALE	

LIST OF MATERIAL

QTY / UNIT	MODEL USED ON	ASS'Y NO.
STANDARD APPLICATION		
	CODE	

**NOTICE TO PERSONS RECEIVING THIS DRAWING**  
 THE TECHNICAL MATERIEL CORPORATION claims proprietary right in the material disclosed hereon. This drawing is issued in confidence for engineering information only and may not be reproduced or used to manufacture anything shown hereon without permission from THE TECHNICAL MATERIEL CORPORATION to the user. This drawing is loaned for mutual assistance and is subject to recall at any time.

UNLESS OTHERWISE SPECIFIED DIMENSIONS ARE IN INCHES AND INCLUDE CHEMICALLY APPLIED OR PLATED FINISHES	FINAL APPROVAL <i>G.D.L</i>	DATE 12/9/86
DECIMALS .X ± .05 .XX ± .01 .XXX ± .005	FRACTIONS 1/64 ANGLES 0° - 30'	MECH. DES.
MATERIAL	ELECT. DES.	DATE
FINISH	CHECKED	DATE
	DRAWN G.D.L	DATE 12/9/86

THE TECHNICAL MATERIEL CORP. MAMARONECK, NEW YORK			
CABLE ASSY PWR COILED			
SIZE B	CODE IDENT. NO. 82679	DWG NO. CA 1196 -	ISSUE Ø
SCALE —	SHEET		OF