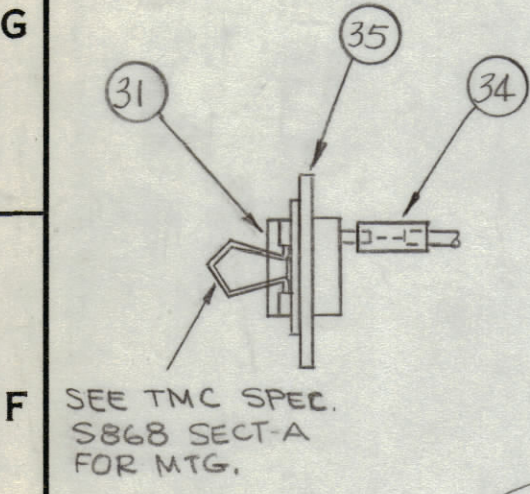
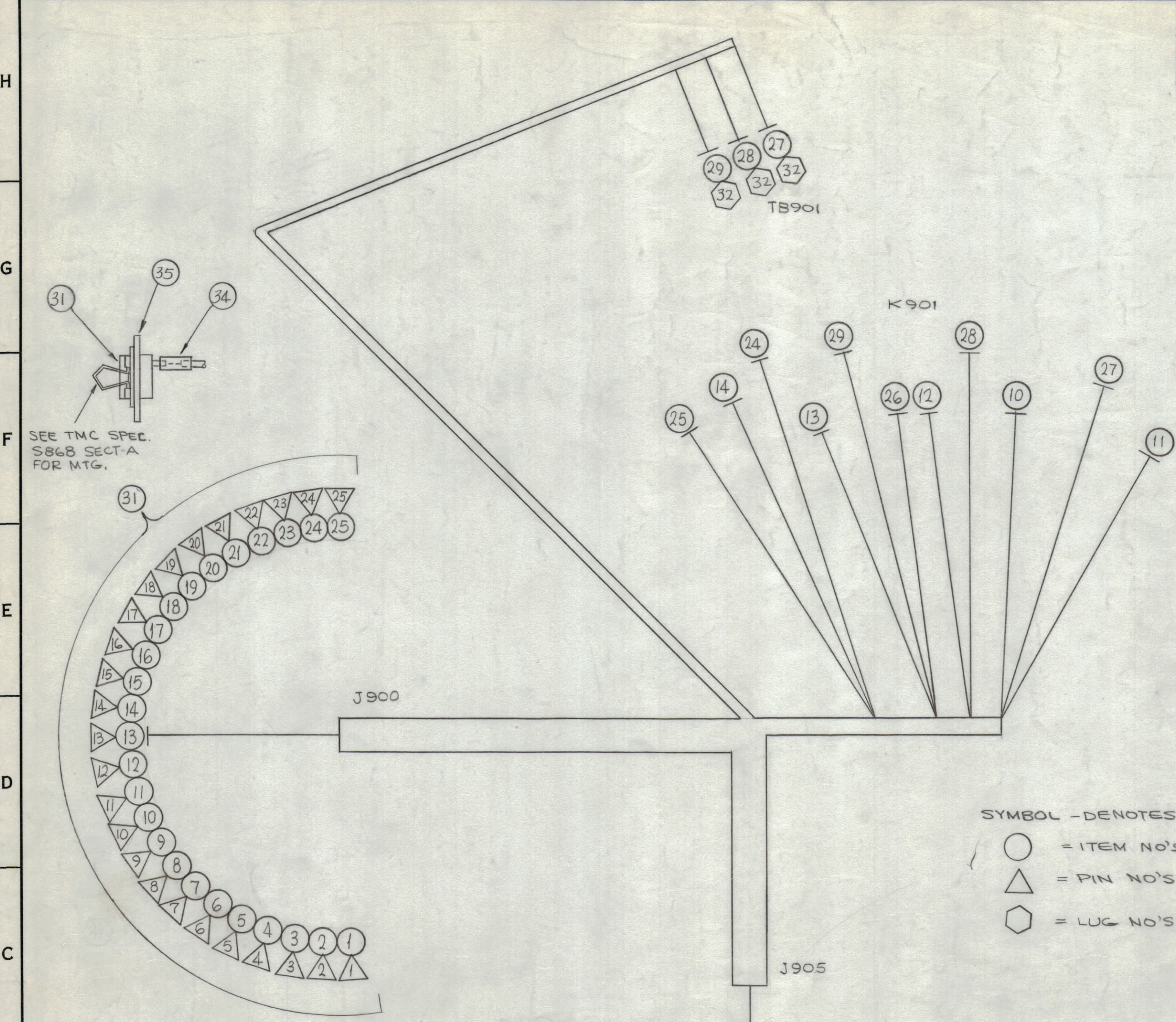


REVISIONS						
ZONE	SYM	DESCRIPTION	DATE	E.M.N. NO.	DRAFT	CHKD
D2	X1	ITEMS 30 Y 31 WERE JJ313 & JJ310	6-4-65	X1	G.D.L.	CA
	X2	ITEM COLUMN REVISED, S868 ADDED	6-23-65	X2	HP	da
	X3	ITEM 37 ADDED	3-11-66	X3	HP	da
	Ø	ORIGINAL RELEASE FOR PRODUCTION	3-14-66	Ø	H.A.	da

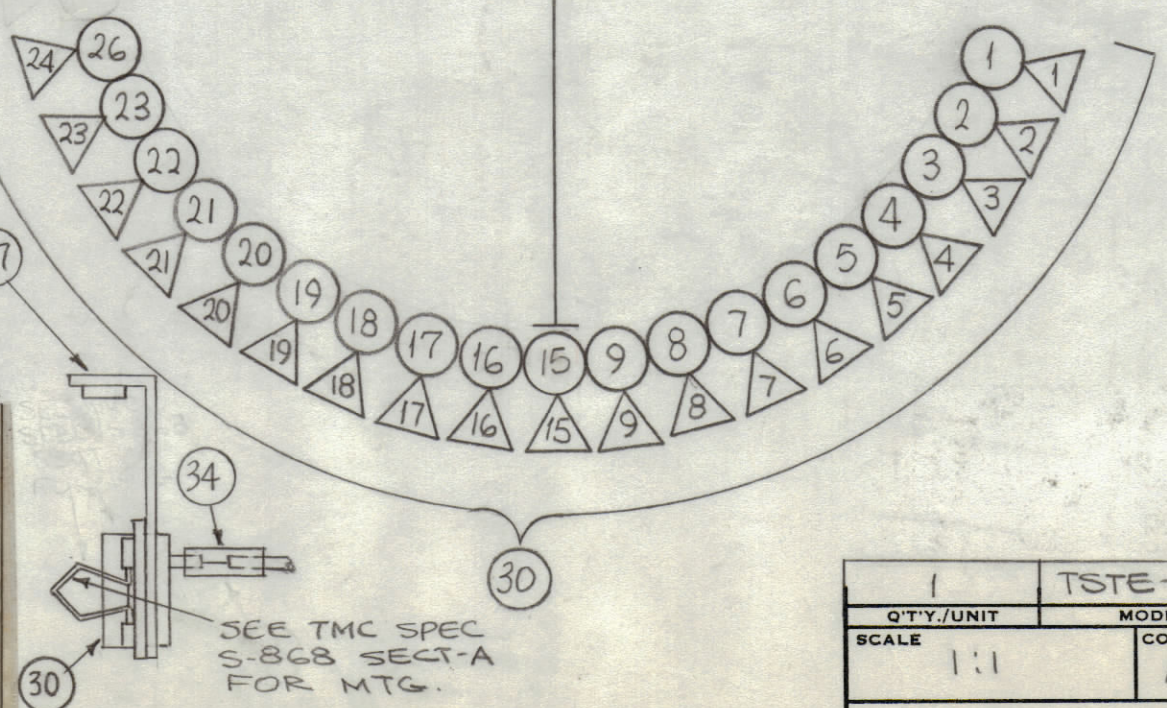


SEE TMC SPEC. S868 SECT-A FOR MTG.

SYMBOL - DENOTES  
 ○ = ITEM NO'S  
 △ = PIN NO'S  
 ⬡ = LUG NO'S

THIS SYMBOL DENOTES END OF INSULATION & NAIL DRIVING POINT. WIRE MUST BE STRIPPED 3/4" BEYOND THIS POINT & TINNED 1/2" UNLESS OTHERWISE SPECIFIED.

UNLESS OTHERWISE SPECIFIED WIRES SHOULD BE PLACED IN NUMERICAL SEQUENCE AS THEY APPEAR IN ITEM COLUMN BY CATEGORY.  
 1. ALL R.F. CABLES  
 2. ALL SHIELDED CABLES  
 3. ALL OTHERS  
 SPACE LACING APPROXIMATELY 3/4" APART.



NOTES

1	TSTE-10K	
Q'TY./UNIT	MODEL USED ON	ASS'Y. NO.
SCALE 1:1	CODE A	
THE CONTENTS OF THIS DRAWING ARE THE EXCLUSIVE PROPERTY OF THE TECHNICAL MATERIEL CORP. ITS UNAUTHORIZED USE OR REPRODUCTION IN WHOLE OR IN PART IS STRICTLY FORBIDDEN.		

REQ'D.	ITEM	PART NUMBER	FROM	TO	SYMBOL
1	37	LD/1923/MS4585	BRKT, MTG, CONN.		
X	36	BS100	SOLDER TIN ALLOY		
1	35	MS4518-3	PLATE MTG. CONNECTOR		
X	34	PX830-16-1	SHRINK TUBING		
X	33	CD101-1MW	CORD NYLON LACING		
3	32	TE120-2	TERMINAL LUG SPADE		
1	31	JJ313-2	PLUG CONNECTOR		
1	30	JJ310-2	CONNECTOR, RECEPTACLE		
	29	MWC20(7)U6	K901 B N.O.	TB901 TERM. #3	
	28	MWC20(7)U5	K901 C N.O.	TB901 TERM. #2	
	27	MWC20(7)U9	K901 D N.O.	TB901 TERM. #1	
	26	MWC24(7)U5	K901 COIL	J905 PIN 24	
	25	U94	J900 PIN 25	K901 A N.C.	
	24	U93		K901 A COM.	
	23	U9		J905 PIN 23	
	22	U8		J905 PIN 22	
	21	U7			21
	20	U6			20
	19	U5			19
	18	U4			18
	17	U3			17
	16	U2			16
	15	U1		J905 PIN 15	
	14	MWC24(7)U91		K901 A N.O.	
	13	MWC20(7)U9		D.COM.	
	12	MWC20(7)U8		C.COM.	
	11	MWC20(7)U7		K901 B.COM.	
	10	MWC24(7)U2		K901 COIL	
	9	U90		J905 PIN 9	
	8	U98			8
	7	U97			7
	6	U96			6
	5	U95			5
	4	U94			4
	3	U93			3
	2	U92			2
1		MWC24(7)U91	J900 PIN 1	J905 PIN 1	

REQ'D. ITEM PART NUMBER FROM TO SYMBOL		F. BUDETTI LIST OF MATERIAL			
MATERIAL		THE TECHNICAL MATERIEL CORP. MAMARONECK, NEW YORK			
FINISH		TITLE CABLE, BANDSWITCH			
UNLESS OTHERWISE SPECIFIED DIMENSIONS ARE IN INCHES AND INCLUDE CHEMICALLY APPLIED OR PLATED FINISHES		DRAWN SRG	DATE 5-21-65	FINAL APPROVAL	DATE 3/14/66
DECIMALS .X ± .05 .XX ± .01 .XXX ± .005		CHECKED	DATE 3-9-66	CA1134	Ø
FRACTIONS ± 1/64 ANGLES ± 0° 30'		ELECT. DES. da	DATE 3-14-66		
TOLERANCES		MECH. DES.	DATE	SHEET	REV. LTR.