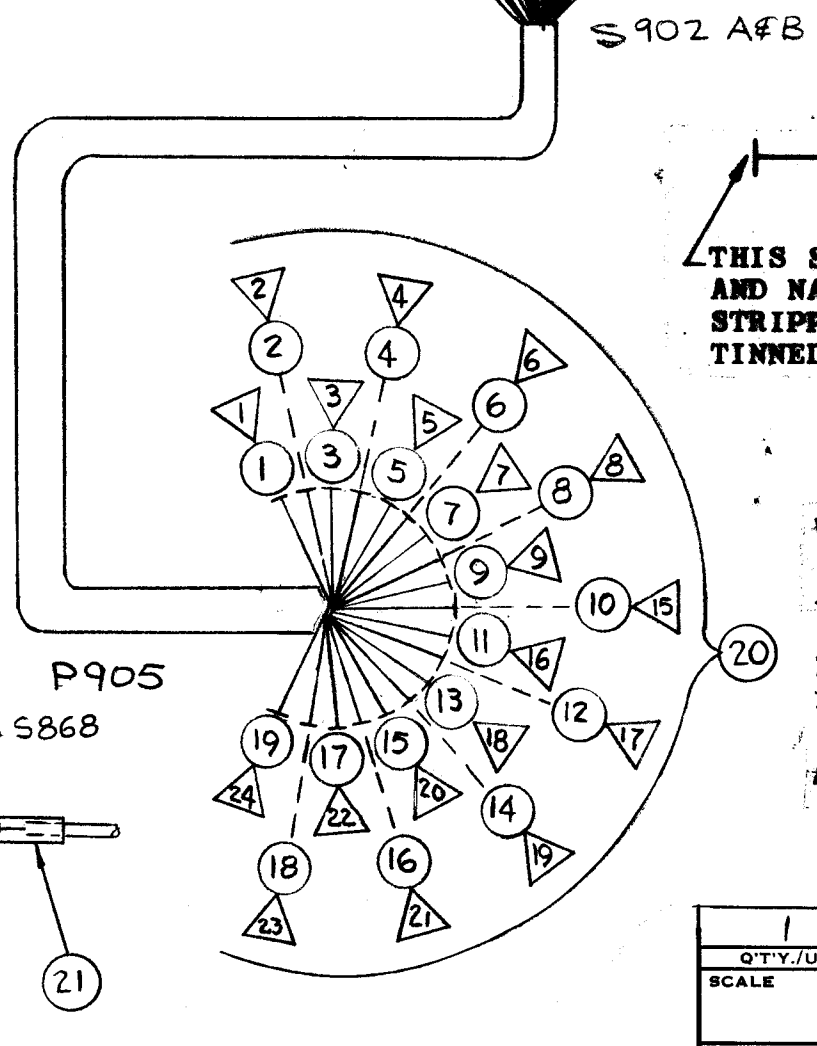


CA1130

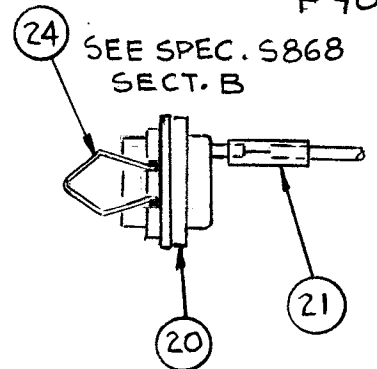
REVISIONS						
SYM	DESCRIPTION	DATE	E.M.N. NO.	DRAFT	CHKD	APPD
X1	ON ITEM 19 "FROM" WAS S905 PIN24	5-27-65		G.D.L.		
X2	ITEM 24 & DETAIL ADDED - ITEM 20 CLARIFIED	6-25-65	X2	G.D.L.	CA	
Ø	ORIGINAL RELEASE FOR PRODUCTION	3-14-66	Ø	HGA		JL

— SYMBOL DENOTES —  
 ○ ITEM NO'S  
 ▽ PIN NO'S



THIS SYMBOL DENOTES END OF INSULATION AND NAIL DRIVING POINT. WIRE MUST BE STRIPPED 3/4" BEYOND THIS POINT AND TINNED 1/2" UNLESS OTHERWISE SPECIFIED.

WIRES SHOULD BE PLACED IN CABLE IN NUMERICAL SEQUENCE AS THEY APPEAR IN ITEM COLUMN BY CATEGORY:  
 1-ALL RF CABLES  
 2-ALL SHIELDED CABLES  
 3-ALL OTHERS  
 SPACE/LACING APPROXIMATELY 3/4" APART



NOTES

1	TST-10K	
Q'TY./UNIT	MODEL USED ON	ASS'Y. NO.
SCALE 1:1	CODE A	

THE CONTENTS OF THIS DRAWING ARE THE EXCLUSIVE PROPERTY OF THE TECHNICAL MATERIEL CORP. ITS UNAUTHORIZED USE OR REPRODUCTION IN WHOLE OR IN PART IS STRICTLY FORBIDDEN.

24	FS 125-2	RETAINER, CONNECTOR			
23	BS 100	SOLDER, TIN ALLOY			
22	CD 101-1MW	CORD, NYLON, LACING			
21	PX 830-18	SHRINK TUBING			
20	JJ 313-2H	CONNECTOR, RECP.			
19	MWC 24 (7) U5	P905 PIN24	S902B WIPEP		
18	U9	23	9		
17	U8	22	8		
16	U7	21	7		
15	U6	20	6		
14	U5	19	5		
13	U4	18	4		
12	U3	17	3		
11	U2	16	2		
10	U1	15	S902B POS 1		
9	U90	9	S902A POS 9		
8	U98	8	8		
7	U97	7	7		
6	U96	6	6		
5	U95	5	5		
4	U94	4	4		
3	U93	3	3		
2	U92	2	2		
1	MWC 24 (7) U91	P905 PIN1	S902A POS 1		
REQ'D.	ITEM	PART NUMBER	FROM	TO	SYMBOL

F. BUDETTI		LIST OF MATERIAL			
MATERIAL		THE TECHNICAL MATERIEL CORP. MAMARONECK, NEW YORK			
FINISH		TITLE CABLE, BANDSWITCH			
UNLESS OTHERWISE SPECIFIED DIMENSIONS ARE IN INCHES AND INCLUDE CHEMICALLY APPLIED OR PLATED FINISHES		DRAWN G.D.L.	DATE 5-14-65	FINAL APPROVAL	DATE 3/14/66
DECIMALS .X ± .05 .XX ± .01 .XXX ± .005		CHECKED [Signature]	DATE 3-2-66	CA1130	Ø
FRACTIONS ± 1/64 ANGLES ± 0° 30'		ELECT. DES. [Signature]	DATE 3-14-66		
TOLERANCES		MECH. DES.	DATE	SHEET	REV. LTR.