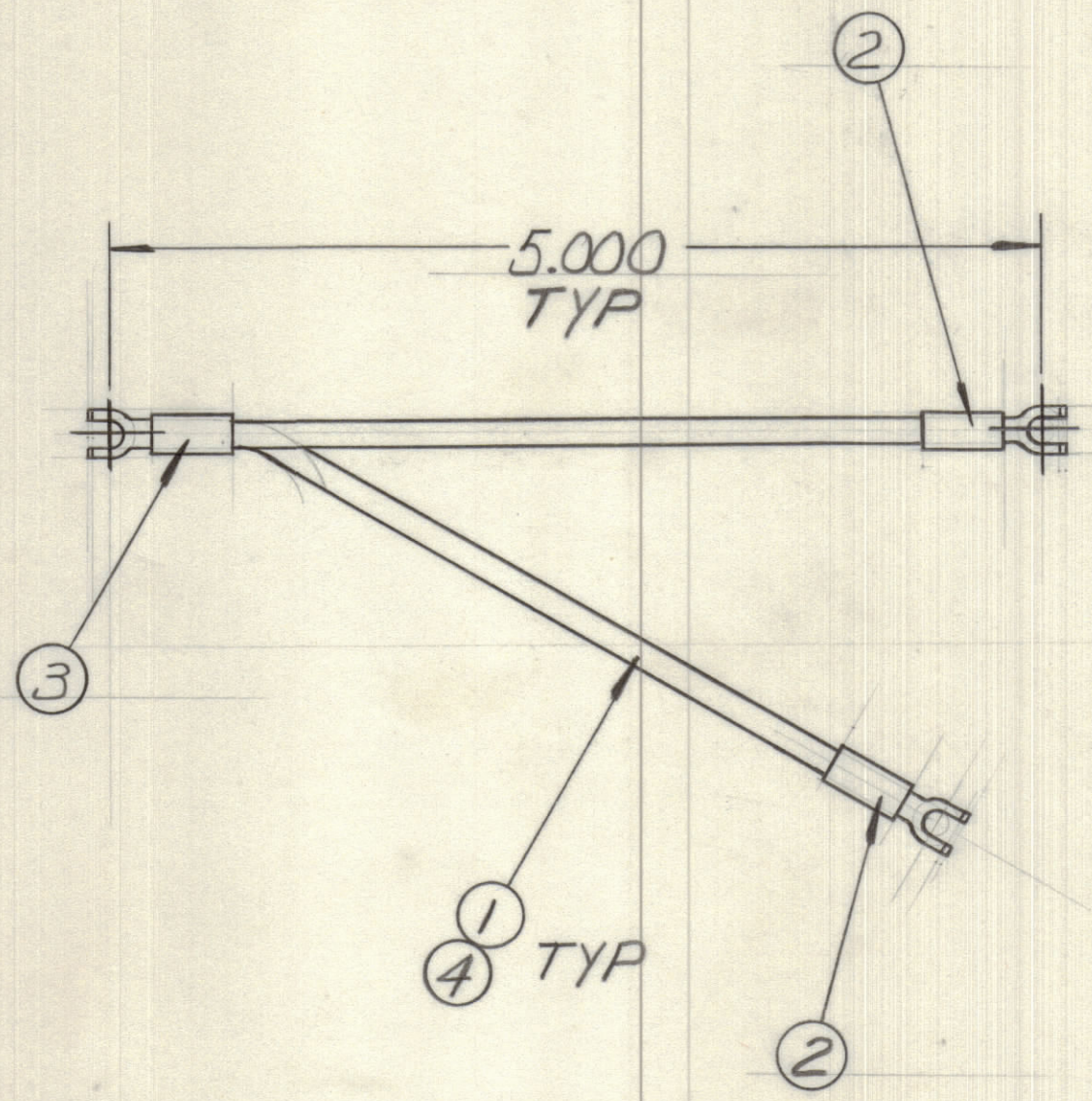


IF IT IS FOUND DESIRABLE TO CHANGE ANY TOLERANCE OR OTHER DETAIL SPECIFIED ON THIS DRAWING NOTIFY THE PURCHASER PROMPTLY.		DIMENSIONS IN INCHES UNLESS OTHERWISE SPECIFIED					
MAXIMUM ALLOWABLE TOLERANCES HAVE BEEN DETERMINED AND DEVIATIONS WILL BE CAUSE FOR REJECTION. REMOVE ALL BURRS AND SHARP EDGES.							
ISSUE	ITEM	CHANGED FROM	DATE	CH. NO.	DRAFTS	CHECKER	ENG. APP.
0		REL TO PROD	26 MAR 71		PW	AR	[Signature]

REQ.	ITEM	PART NO.	DESCRIPTION	SYMBOL
10"	1	PX370-12-7	INSULATION SLVG	—
	2	TE120-2	TERMINAL, SOLDERLESS	—
	1	3 TE120-4	TERMINAL, SOLDERLESS	—
10"	4	WL103-1	WIRE, ELECT, BRAIDED	—



CA10649 Ø

TOLERANCES		SCALE: 1/1
ALL OTHERS	DEC. DIM. ± 0.30 FRAC. DIM. ± 1/64 ANGULAR DIM. ± 0° 30'	DRILL, PUNCH, COMMERCIAL STOCK SIZES AND MANUFACTURERS TOLERANCES ARE NOT INCLUDED.

HF OVEN	107/71	A010892	26 MAR 71
MODEL	PROJECT NO.	ASS'Y. NO.	DATE

STOCK SIZE		TMC (Canada) LIMITED OTTAWA ONTARIO	
MATERIAL		CABLE ASSY-GROUND	
TYPE & TEMPER		WILLIAMS	
HEAT TREAT. SPEC.		J.R.L.	
FINISH & SPEC. NO.		CA10649 Ø	