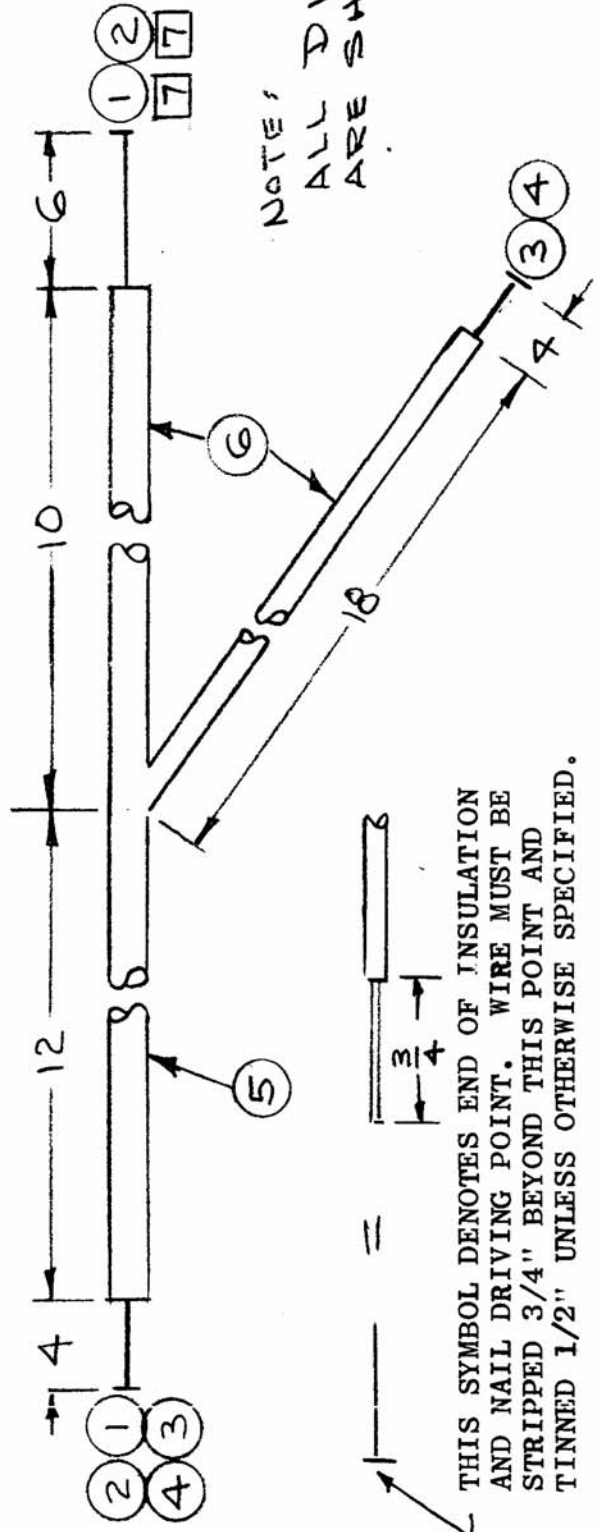


REQ. PER UNIT	1	MODEL	RTTA-1	ASSY. NO.	A5000	DATE	3-24-65
USED ON	CA1082						



NOTE:
ALL DIMENSIONS
ARE SHOWN IN INCHES.

THIS SYMBOL DENOTES END OF INSULATION AND NAIL DRIVING POINT. WIRE MUST BE STRIPPED 3/4" BEYOND THIS POINT AND TINNED 1/2" UNLESS OTHERWISE SPECIFIED.

WIRES SHOULD BE PLACED IN CABLE IN NUMERICAL SEQUENCE AS THEY APPEAR IN ITEM COLUMN BY CATEGORY -
1. ALL RF CABLES 2. ALL SHIELDED
3. ALL OTHERS.
SPACE LACING APPROXIMATELY 3/4" APART.



REQ. ITEM	PART NO.	DESCRIPTION	SYMBOL
X 8	BS100	SOLDER, TIN ALY	
2 7	TE120-2	TERM., LMG-SPADE	
28 6	PX100-1-.208	INS SLVG - SZ4	
12 5	PX100-1-.238	INS SLVG - SZ3	
38 4	WI140B20U(7)6	WIRE, ELEC, INS.	
38 3			
32 2			
32 1	WI140B20U(7)1	WIRE, ELEC, INS.	

STOCK SIZE	
MATERIAL	
TYPE & TEMPER	HEAT TREAT. SPEC.
FINISH & SPEC. NO.	

EATON	DESCRIPTION	SYMBOL
THE TECHNICAL MATERIEL CORP.	NEW YORK	
WIRING HARNESS, BCHD		
J.M. [Signature]	DRAWN	CHECKED
19/5/65	DATE	19/5/65
ORIGINAL RELEASE	DESCRIPTION	SCALE
	UNLESS OTHERWISE SPECIFIED	
	DIMENSIONS ARE IN INCHES AND INCLUDE	
	CHEMICALLY APPLIED OR PLATED FINISHES	
	TOLERANCES	FRACTIONS
	± .05	± 1/64
	.XX ± .01	ANGLES
	.XXX ± .005	± 0° 30'
		FINAL APPROVAL
		CA1082