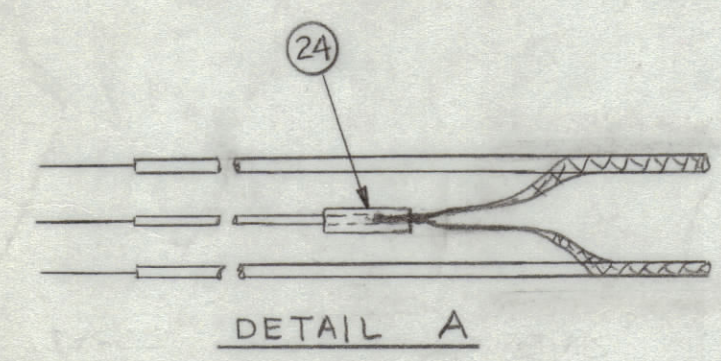
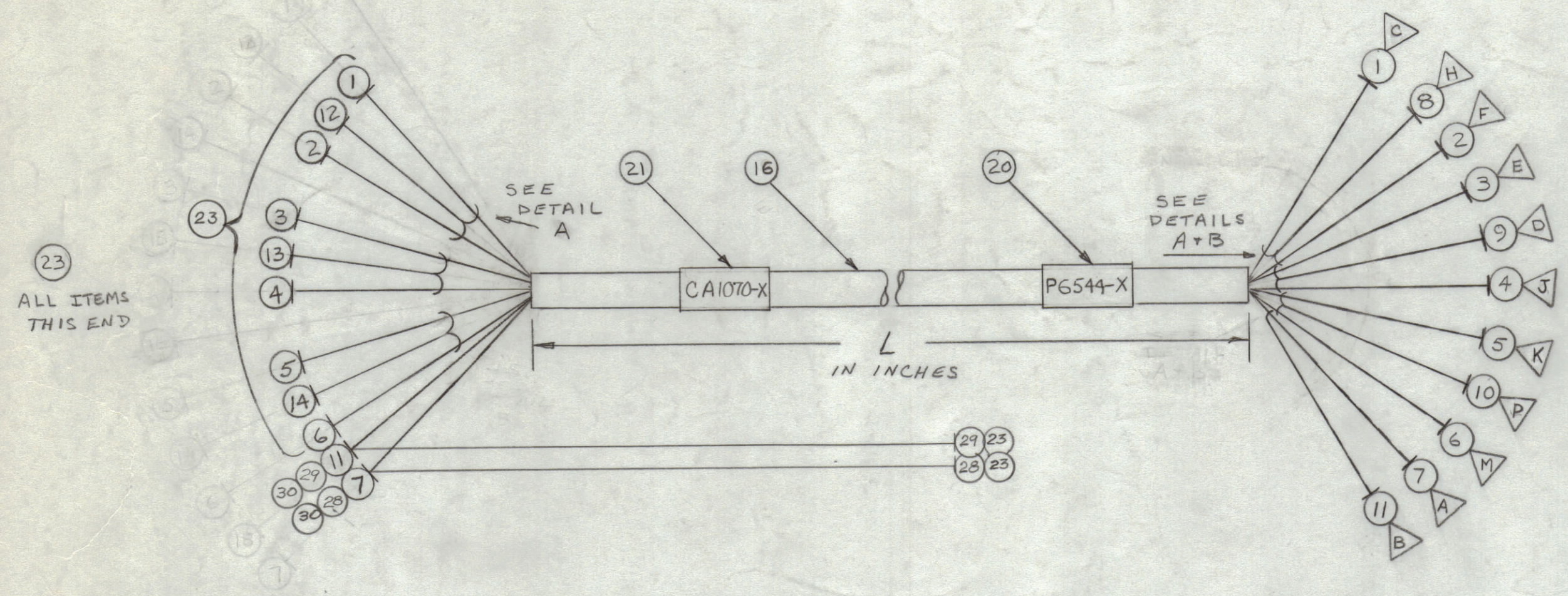


REVISIONS							
ZONE	SYM	DESCRIPTION	DATE	E.M.N. NO.	DRAFT	CHKD	APPD
	Ø	ORIG. RELEASE FOR PRODUCTION	4-15-65		MHS.		
	A	CLERICAL CHG	8-2-65	CC			
	B	IT. 28, 29, 30 ADDED, DES. NOM. ADDED, ON PCT. CA1070 ADD TO IT. 28, 29, 30	8/24/65	14631	JVV		



2	30	PL242-3	CONNECTOR, ELECTRICAL, MALE
X	29	MWC24(7)U97	WIRE, ELECTRICAL, INS
X	28	MWC24(7)U7	WIRE, ELECTRICAL, INS
X	27	BS100	SOLDER, SOFT, TIN ALLOY
X	26	CD101-1-MW	CORD, LACING, NYLON
X	25	TA100-1	INSULATION, TAPE, ELE. PLST
4	24	PX830-12-1	INSULATION, SLEEVING, SHRINK
10	23	PL242-1	CONNECTOR, ELECTRICAL MALE
1	22	PL212-1	CONNECTOR, PLUG, RF
1	21	SEE CHART	SLEEVING, MARKER, CABLE
1	20	SEE CHART	SLEEVING, MARKER, CABLE
X	19	PX100-1-095	INSULATION, SLEEVING
1	18	MS3420-12A	BUSHING, RUBBER
1	17	MS3420-8A	BUSHING, RUBBER
1	16	PX100-1-294	INSULATION, SLEEVING
	15	NOT USED	
3	14	MWC24(7)U96	WIRE, ELECTRICAL, INS
3	13		94
3	12		92
2	11		97
2	10		96
2	9		94
2	8	MWC24(7)U92	WIRE, ELECTRICAL INS
7	7	MWC24(7)SJ7	WIRE, ELECTRICAL, JKT
6			8
5			6
4			5
3			4
2			3
1		MWC24(7)SJ2	WIRE, ELECTRICAL, JKT

TMC PART NO.	L	ITEM (20)	ITEM (21)
CA1070-1	63	LA107-20-P6544-1	LA107-15-CA1070-1
↑ -2	70	↑	↑
↑ -3	77	↑	↑
↑ -4	84	↑	↑
↑ -5	91	↑	↑
↑ -6	98	↑	↑
↑ -7	115	↑	↑
CA1070-8	122	LA107-20-P6544-8	LA107-15-CA1070-8

REQ'D.	ITEM	PART NUMBER	DESCRIPTION	SYMBOL
LIST OF MATERIAL				
MATERIAL		THE TECHNICAL MATERIEL CORP. MAMARONECK, NEW YORK		
FINISH		TITLE: CABLE ASSY, SP 7/C (MSAA-1 CONTROL)		
UNLESS OTHERWISE SPECIFIED DIMENSIONS ARE IN INCHES AND INCLUDE CHEMICALLY APPLIED OR PLATED FINISHES		DRAWN M. STURMER	DATE 3-5-65	FINAL APPROVAL [Signature]
SCALE #		CHECKED [Signature]	DATE 4/13/65	DATE 4/13/65
THE CONTENTS OF THIS DRAWING ARE THE EXCLUSIVE PROPERTY OF THE TECHNICAL MATERIEL CORP. ITS UNAUTHORIZED USE OR REPRODUCTION IN WHOLE OR IN PART IS STRICTLY FORBIDDEN.		ELECT. DES. [Signature]	DATE 4-13-65	DATE 4-13-65
DECIMALS .X ± .05 .XX ± .01 .XXX ± .005		MECH. DES. [Signature]	DATE	DATE
FRACTIONS ± 1/64 ANGLES ± 0° 30'		TOLERANCES		CA1070
NOTES		SHEET		REV. LTR.