

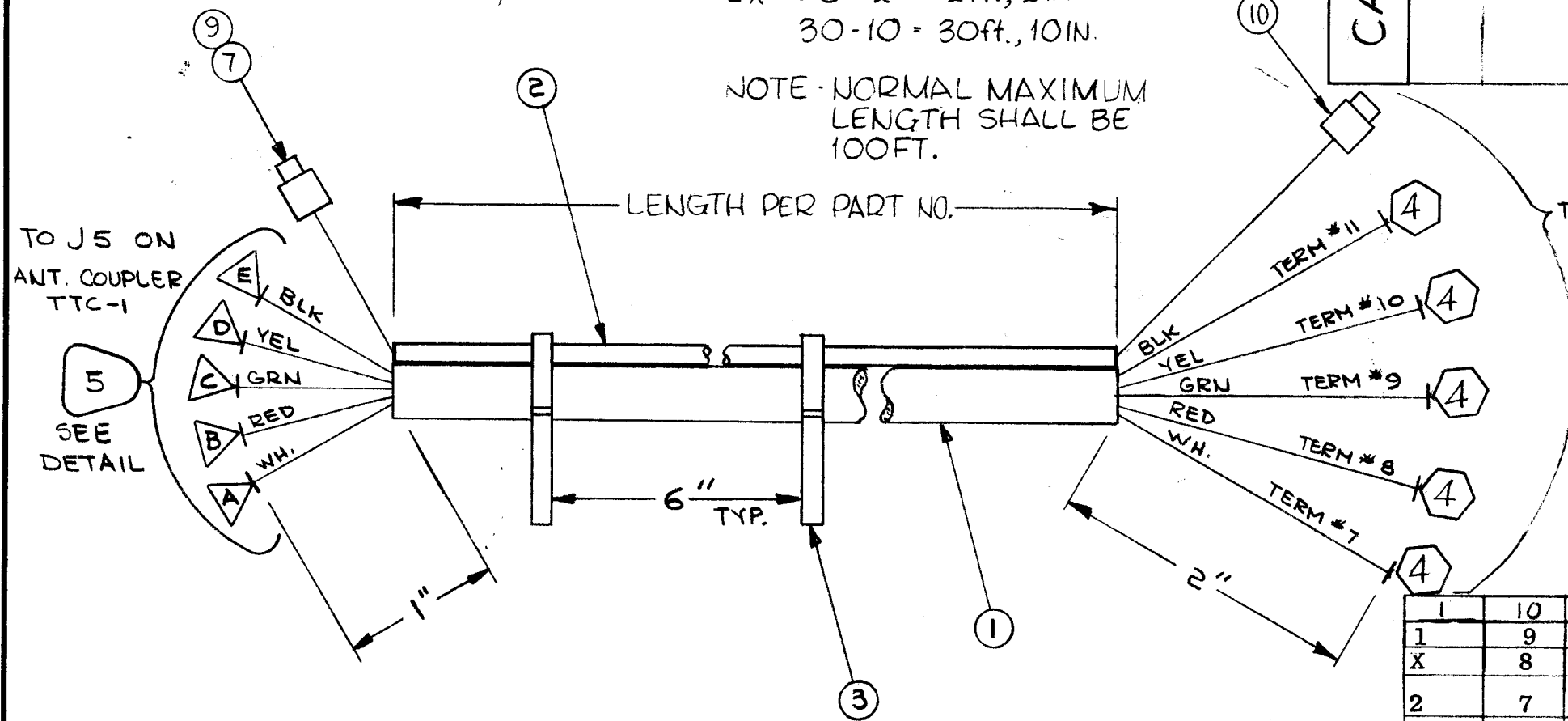
TYPE DESIGNATION TO BE AS FOLLOWS:

CA 1046 - XX - XX

LENGTH IN FEET & INCHES

EX: 20-2 = 2ft., 2IN.
30-10 = 30ft., 10IN.

NOTE - NORMAL MAXIMUM LENGTH SHALL BE 100FT.



TO JS ON ANT. COUPLER TTC-1

SEE DETAIL

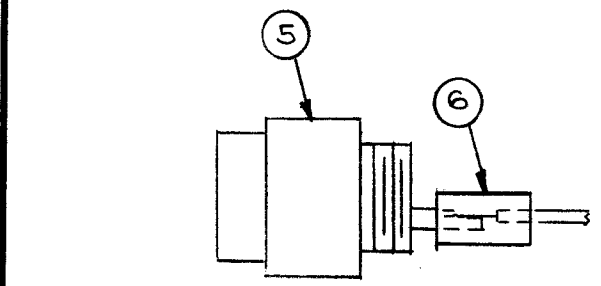
TO TB1502 TTR-10

SYMBOLS

- DENOTES CONNECTOR
- DENOTES LUGS
- DENOTES PINS
- DENOTES ITEM NO'S.

CA1046 C

REVISIONS					
SYM	DESCRIPTION	DATE	E.M.N. NO.	DRAFT	CHKD APPD
X	EXPER. RELEASE	2-11-65	X		
Q	ORIGINAL RELEASE FOR PRODUCTION	2-11-65	Q		
A	IT 9 ADDED, IT 7" WAS UG 88*/U	8/4/65	4505		
B	IT 7 WAS PL 259	9/15/65	14803		
C	IT. 10 ADDED, ONE IT. 9 CALLOUT RELOCATED, IT. 10 CALLOUT WAS 7	2-9-66	15725		



ITEM 5 DETAIL

THIS SYMBOL DENOTES END OF INSULATION AND NAIL DRIVING POINT. WIRE MUST BE STRIPPED 3/4" BEYOND THIS POINT AND TINNED 1/2" UNLESS OTHERWISE SPECIFIED.

REQ'D.	ITEM	PART NUMBER	DESCRIPTION	SYMBOL
	10	UG 88*/U	CONNECTOR, PLUG, BNC	
	1	9	UG 175*/U	ADAPTER
X		8	BS100	SOLDER, TIN ALLOY
	2	7	PL 259A-TER.	CONNECTOR, PLUG-UHF
X		6	PX 830-20-1	INS. SLEEVING-SHRINK
	1	5	PL 212-6	CONNECTOR, PLUG
	5	4	TE 120-2	TERMINAL, LUG-SPADE
X		3	CU 142-2-0	STRAP, CABLE, ADJ.
X		2	RG 58/U	CABLE, RF
X		1	WI 112-4	CABLE, SP, -/C

LIST OF MATERIAL

MATERIAL		THE TECHNICAL MATERIEL CORP. MAMARONECK, NEW YORK			
FINISH		TITLE CABLE, ASS'Y INTERCONNECT			
UNLESS OTHERWISE SPECIFIED DIMENSIONS ARE IN INCHES AND INCLUDE CHEMICALLY APPLIED OR PLATED FINISHES		DRAWN <i>[Signature]</i>	DATE 2-11-65	FINAL APPROVAL <i>[Signature]</i>	
DECIMALS .X ± .05 .XX ± .01 .XXX ± .005		CHECKED <i>[Signature]</i>	DATE 2/11/65	DATE	
TOLERANCES		ELECT. DES.	DATE	SHEET	
FRACTIONS ± 1/64 ANGLES ± 0° 30'		MECH. DES.	DATE	REV. LTR.	

NOTES

THE CONTENTS OF THIS DRAWING ARE THE EXCLUSIVE PROPERTY OF THE TECHNICAL MATERIEL CORP. ITS UNAUTHORIZED USE OR REPRODUCTION IN WHOLE OR IN PART IS STRICTLY FORBIDDEN.

1	TTC-1	
QTY./UNIT	MODEL USED ON	ASSY. NO.
SCALE	CODE	
	A	