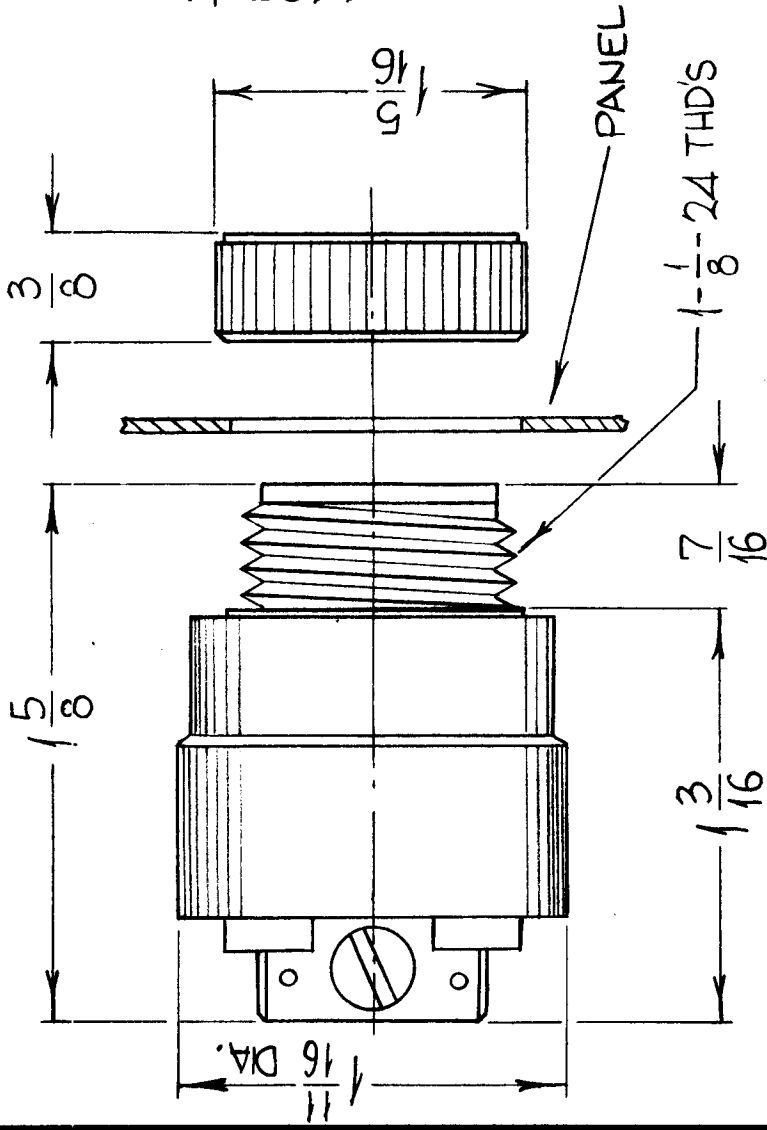


STANDARD DRAWING

TMC PT. NO.	MFG. PT. NO.	FREQUENCY	OPER. VOLT.	CURRENT	REQ. PER UNIT	MODEL	ASS'Y. NO.	DATE	BZ101 A
BZ101-1	SC-628H	4.0-4.5 KC	6-28 VDC	3 TO 14 MA	1	CSS-3		11-9-65	
BZ101-2	SC-628	2.5 KC	6-28 VDC	3 TO 14 MA	1	BCT-10KA		7-25-67	

SPECIFICATIONS
 SOUND INTENSITY: 68-80 DB
 OPERATING TEMPERATURE: -40°C TO 54°C
 VOLUME: 2.9 CU IN
 WEIGHT: 1-1/4 OZ



NOTE: MTG HOLE 1-9/64 MIN
 MAX. PANEL THICKNESS 1/4"

REQ. ITEM	PART NO.	DESCRIPTION	SYMBOL
		THE TECHNICAL MATERIEL CORP. MAMARONECK, NEW YORK	
		GENERATOR, AUDIBLE SIGNAL	
		SOLID STATE	
		JC	11/10/65
		DRAWN	FINAL APPROVAL
		CHECKED	
		TYPE & TEMPER	
		HEAT TREAT. SPEC.	
		MATERIAL	
		FINISH & SPEC. NO.	
		DO NOT SCALE	
		SCALE	
		DATE	
		CH. NO.	
		DRAFTS	
		CHECKER	
		ENG. APP.	
		7254710431	FB
		11/10/65	JC
		DESCRIPTION	
		UNLESS OTHERWISE SPECIFIED	
		DIMENSIONS ARE IN INCHES AND INCLUDE	
		CHEMICALLY APPLIED OR PLATED FINISHES	
		TOLERANCES	
		FRACTIONS	
		± 1/64	
		ANGLES	
		± 0° 30'	
		DECIMALS	
		.X ± .05	
		.XX ± .01	
		.XXX ± .005	