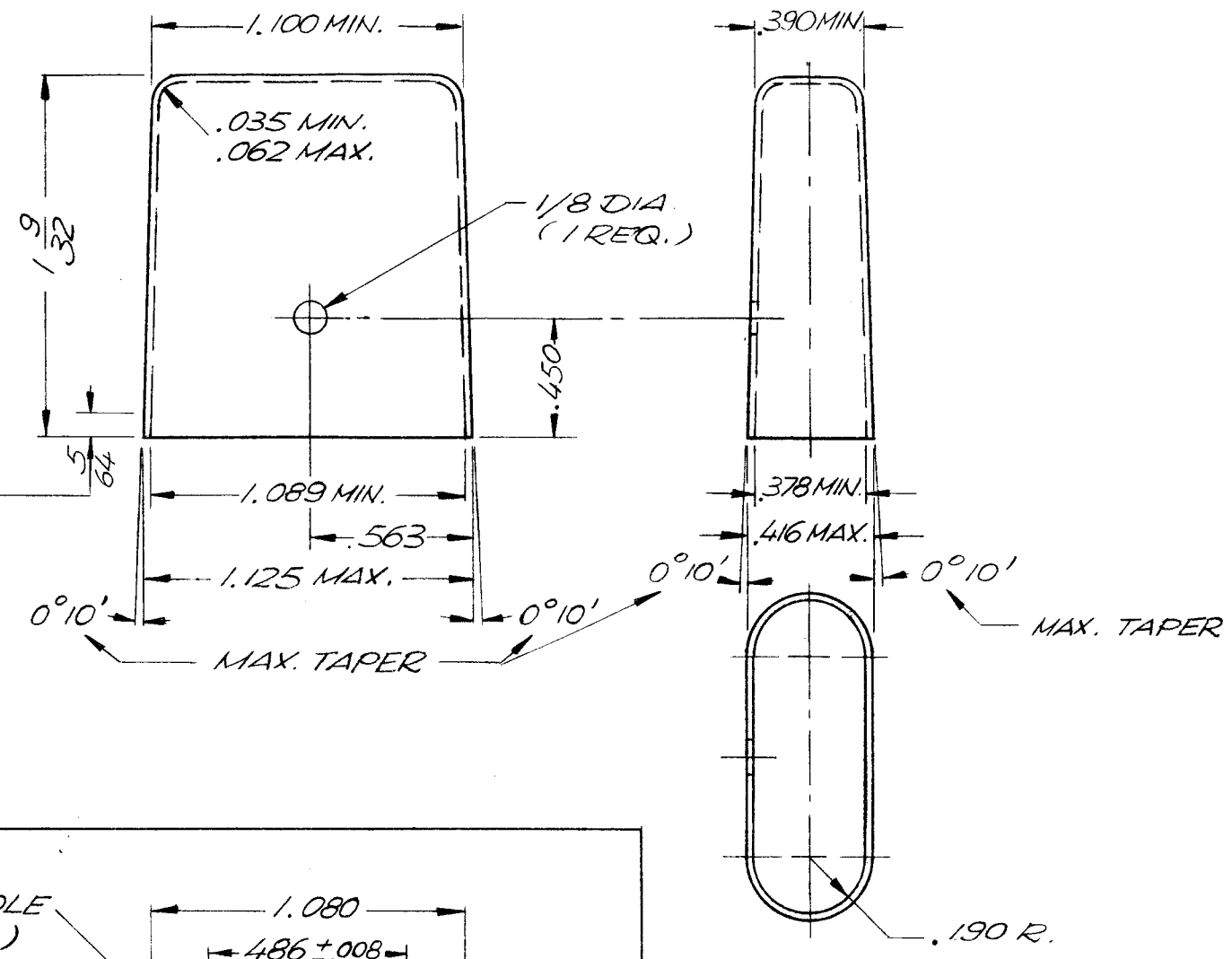
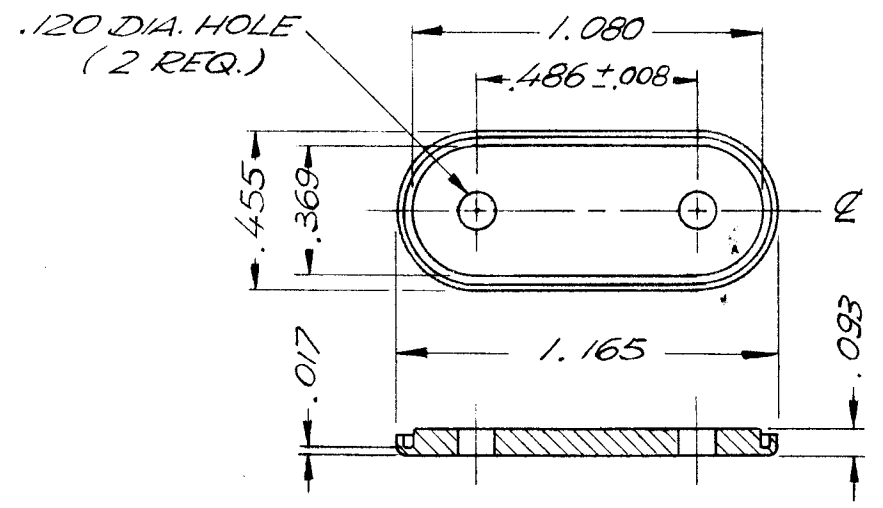


REVISIONS							
ZONE	LTR	DESCRIPTION	DATE	E.M.N.NO	DRAFT	CHKD	APPD
	X	EXP. RELEASE	5/28/69				
	Ø	ORIG RELEASE	6/25/69				



HOLD INSIDE DIM. TO THIS DEPTH.



BASE

QTY / UNIT	MODEL USED ON	ASS'Y NO.
	HFR-4-A14	FX 297
	GPR-10-A18	FX 297
APPLICATION		
CODE	S401-497	

NOTICE TO PERSONS RECEIVING THIS DRAWING
 THE TECHNICAL MATERIEL CORPORATION claims proprietary right in the material disclosed hereon. This drawing is issued in confidence for engineering information only and may not be reproduced or used to manufacture anything shown hereon without permission from THE TECHNICAL MATERIEL CORPORATION to the user. This drawing is loaned for mutual assistance and is subject to recall at any time.

UNLESS OTHERWISE SPECIFIED DIMENSIONS ARE IN INCHES AND INCLUDE CHEMICALLY APPLIED OR PLATED FINISHES

DECIMALS: .X ± .05, .XX ± .01, .XXX ± .005
 FRACTIONS: 1/64, ANGLES: 0° .30'

MATERIAL: 18% NICKEL SILVER
 FINISH:

REQ'D	ITEM	PART NUMBER	DESCRIPTION	SYM.
			LIST OF MATERIAL	
			THE TECHNICAL MATERIEL CORP. MAMARONECK, NEW YORK	
			COVER & BASE	
			SIZE: B	ISSUE: Ø
			CODE IDENT. NO.: 82679	
			DWG NO.: BX 230	
			SCALE:	SHEET OF: