

THE CONTENTS OF THIS DRAWING ARE THE EXCLUSIVE PROPERTY OF THE TECHNICAL MATERIEL CORP. ITS UNAUTHORIZED USE FOR REPRODUCTION IN WHOLE OR IN PART IS STRICTLY FORBIDDEN.

REQ. PER UNIT  
1

MODEL  
TR-181

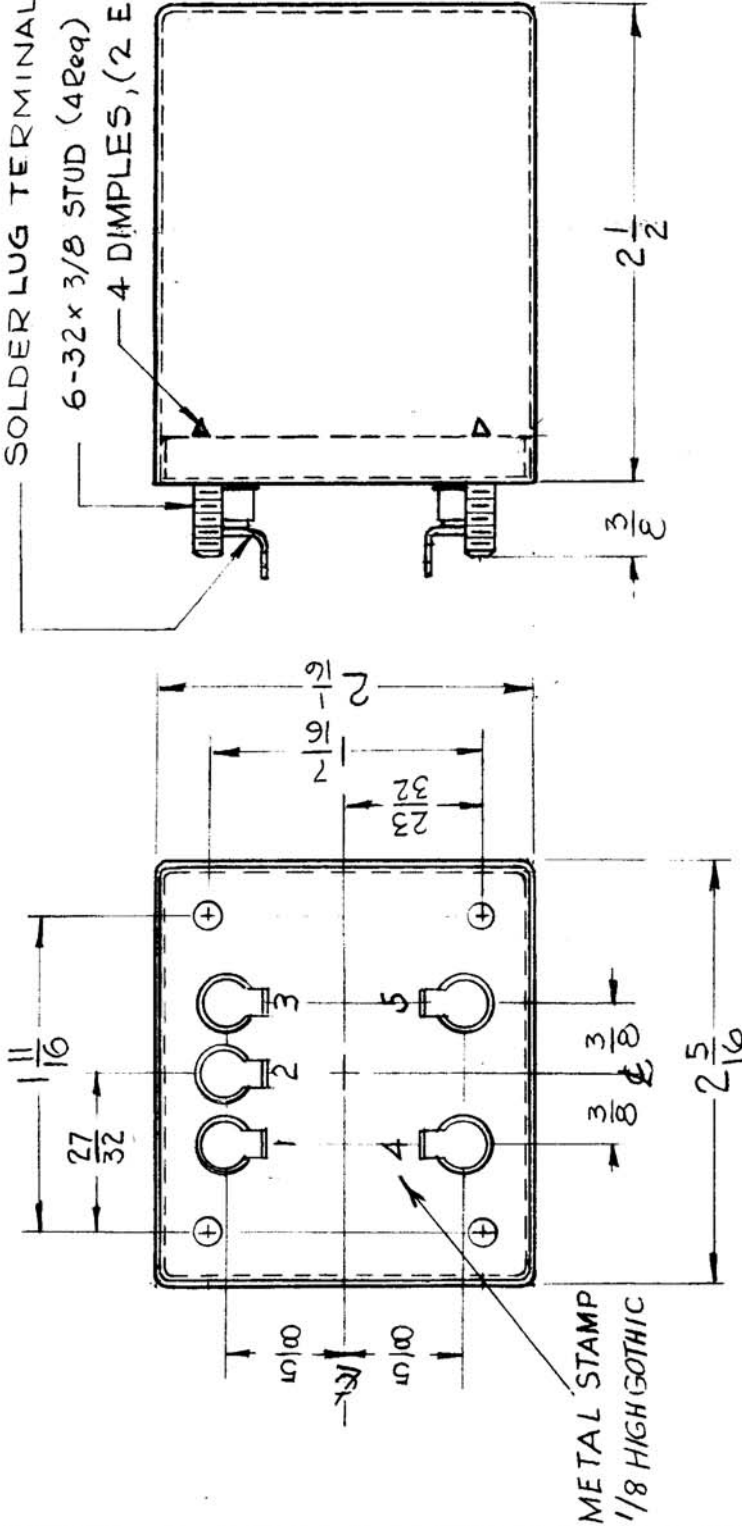
USED ON  
ASS'Y. NO.  
A-3170

DATE  
5-31-63

BX-207

A

TMC PART NO. TE-134  
SOLDER LUG TERMINAL, 5 REQ'D  
6-32 x 3/8 STUD (4 Req)  
4 DIMPLES, (2 EA. SIDE)



REF: BX 100-85

SYM	DESCRIPTION	DATE	CH. NO.	DRAFTS	CHECKER	ENG. APP.	SCALE	CODE
A	SEE EMN*10895	2/18/64	10895	AM.	T.R.		1:1	
	UNLESS OTHERWISE SPECIFIED DIMENSIONS ARE IN INCHES AND INCLUDE CHEMICALLY APPLIED OR PLATED FINISHES							
	DECIMALS .X ± .05 .XX ± .01 .XXX ± .005							
	FRACTIONS ± 1/64 ANGLES ± 0° 30'							
	TOLERANCES							
REG. ITEM	PART NO.	DESCRIPTION						SYMBOL
.025 THK STEEL		POSE						
		THE TECHNICAL MATERIEL CORP. MAMARONECK, NEW YORK						
		CASE & COVER						
		G.D.L.	DRAWN		CHECKED		714	6-14-63
		HOT TINNED		TYPE & TEMPER		HEAT TREAT. SPEC.		FINAL APPROVAL
		FINISH & SPEC. NO.		MECH. DES. APP.		MECH. DES. APP.		BX-207