

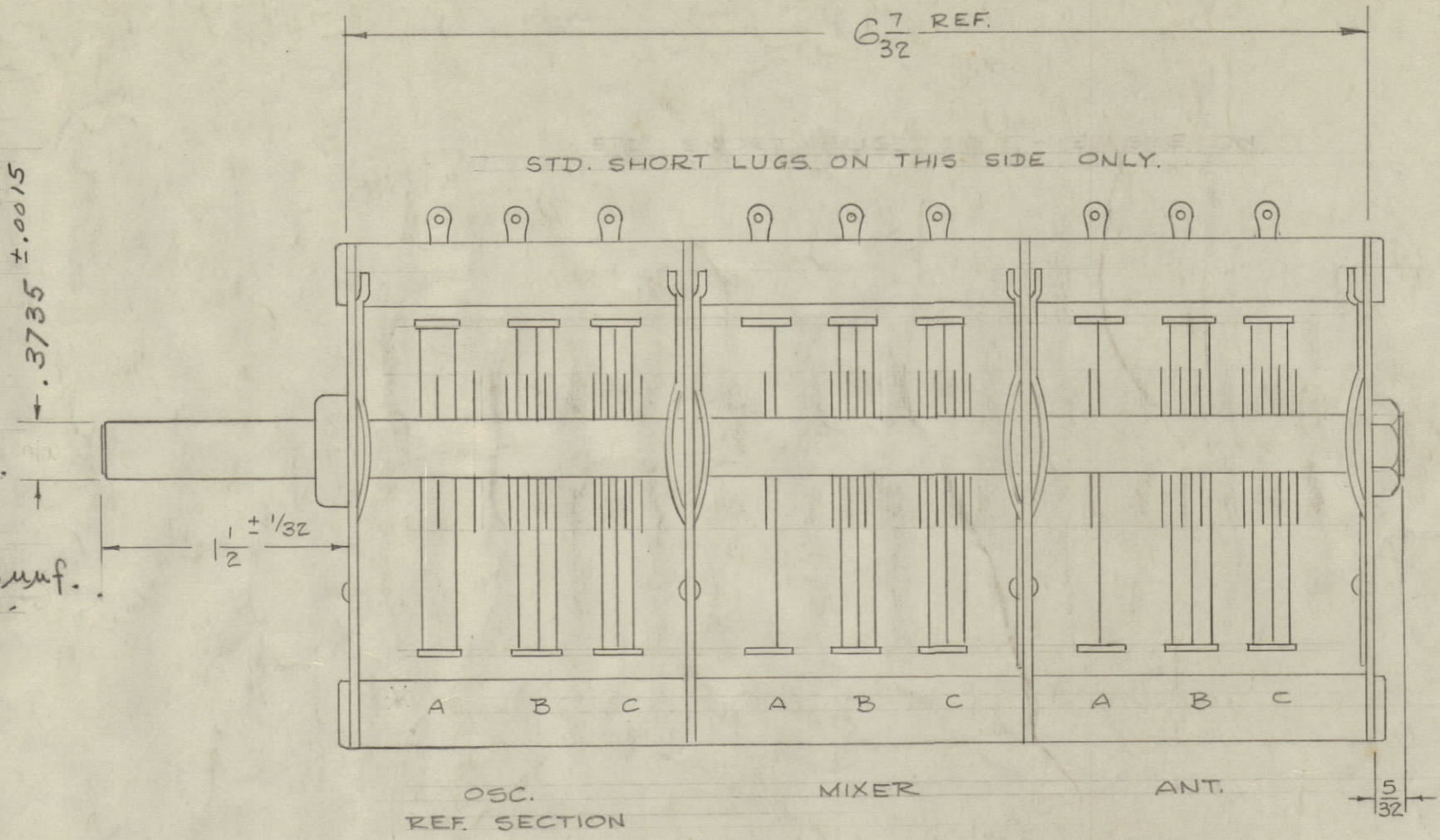
IF IT IS FOUND DESIRABLE TO CHANGE ANY TOLERANCE OR OTHER DETAIL SPECIFIED ON THIS DRAWING NOTIFY THE PURCHASER PROMPTLY.

MAXIMUM ALLOWABLE TOLERANCES HAVE BEEN DETERMINED AND DEVIATIONS WILL BE CAUSE FOR REJECTION. REMOVE ALL BURRS AND SHARP EDGES

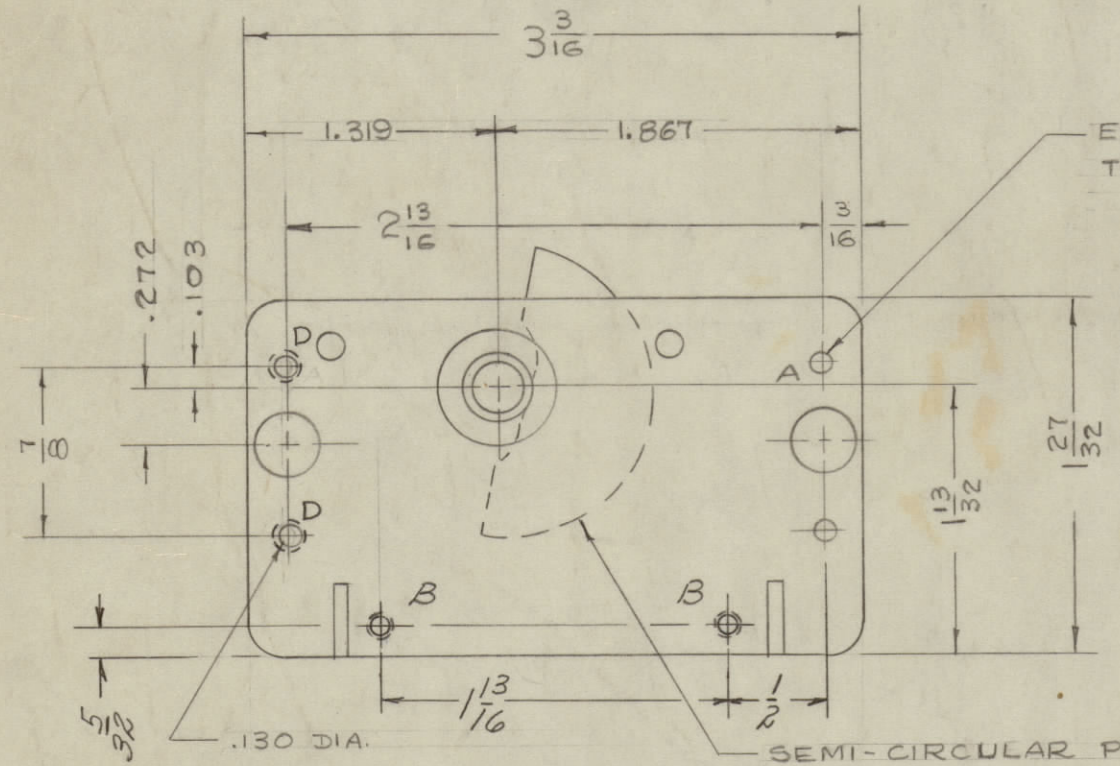
SECTIONS	CAPACITANCE mmf		NO. OF PLATES		NOMINAL AIR GAP
	MIN ±.5	ΔC	ROTOR	STATOR	
A.	7.0	6.3	1	1	.018"
B	8.0	12.9	3	3	.056"
C	7.5	38.5	4	3	.018"

SECTION	CAPACITANCE mmf		NO. OF PLATES		NOMINAL AIR GAP
	MIN ±.5	ΔC	ROTOR	STATOR	
A	7.0	7.0	2	2	.056
B	8.0	12.9	3	3	.056
C	7.5	38.5	4	3	.018"

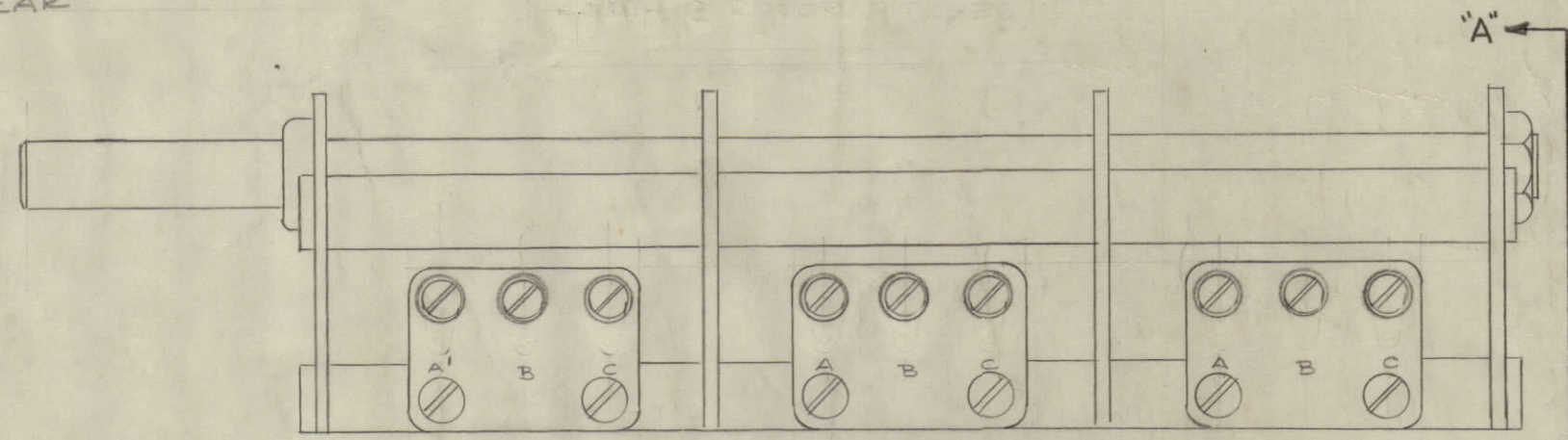
CALIBRATION: TOLERANCE ON C MIN. $\pm .5 \mu\text{mf}$
 ALL SECTIONS TO BE CALIBRATED AT 100% ROTATION TO WITHIN $\pm .5 \mu\text{mf}$.
 EACH SECTION TO BE MAXIMUM SET.



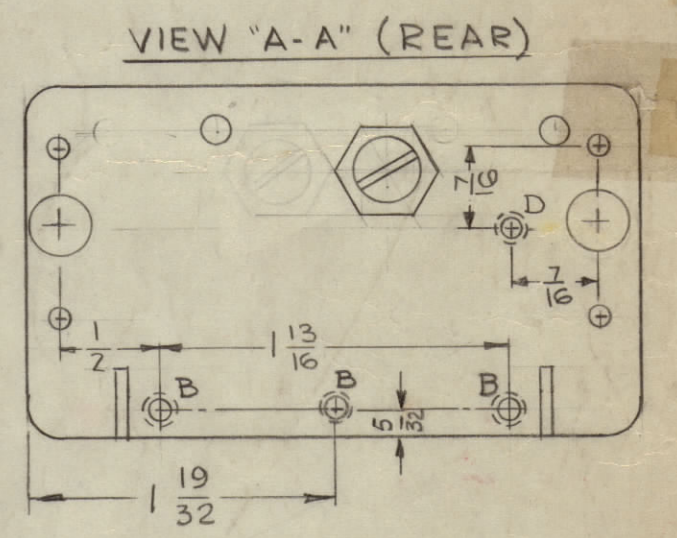
"B" - DRILL & TAP 6-32 5REQ. (FRONT & REAR)
 "D" - DRILL & TAP 10-32 (FRONT & REAR) 3 REQ



FRONT VIEW



BAND SPREAD



VIEW "A-A" (REAR)

ISSUE	ITEM	CHANGED FROM	DATE	CN. NO.	DRAFTS	CHECKER	ENG. APP.
L	1	CAP ±.5 ADDED ON ANT. MIXER 7.0 WAS 8.0, 8.0 WAS 8.6, 7.5 WAS 9.7	4-12-67	18100	LAK		
K	1	PICTORIAL CORRECTED, REAR VIEW	7-8-63	9445			
J	3	PICTORIAL CORRECTED					
J	2	ON FRONT, D HOLES WERE "A" HOLES	6-17-63	9304			
J	1	3 "D" HOLES ADDED (FRONT & REAR)					
H	1	(2) "B" HOLES ADDED	2-14-63	8290			
G	1	ON PICTORIAL, RIGHT SIDE VIEW ADDED	10/23/62	7564	EDL		
F	1	ADDED "B" TAPS	7/8/62	411	AK		
E	1	DIM CHG. .3735 ± .0015 W/D 3/4	6/1/58	5	AK		
E	2	CHANGED VIEW TO A & B WITH DETAILS					
D	1	MAX. NOTE ADDED	9/26/58	4	JAW	P.L.X.	A.J.J.
C	3	OSC "C" CAP WAS 9.7					
C	2	OSC "B" CAP WAS 8.6	9/9/58	3	JAW	P.L.X.	A.J.J.
C	1	OSC "A" CAP WAS 8.0					
B	2	AIR GAP WAS .1317	7/24/58	2	JAW	P.L.X.	A.J.J.
B	1	REF. ROTOR PLATES "A"					
A	3	6.3 WAS 7.0					
A	2	.056 WAS .047	3/17/56	1	B	HH	A.J.J.
A	1	.2077 WAS .141					

SERIES 321 - RADIO CONDENSER MFG. CO.
 TYPE - STRAIGHT LINE CAPACITANCE.
 THREE SECTIONS - SEE CHART.
 ROTATION - 360°.
 ROTOR PLATES - SEMI-CIRCULAR; OUTSIDE PLATES SERATED.
 WIPERS - 6 ALL ON SHORT SIDE.
 STATOR INSULATOR - CERAMIC.
 ROTOR TENSION - 12" OZ. MAX.
 ROTOR & STATOR PLATES - CADMIUM PLATED STEEL,
 WHICH ARE SWAGED, STAKED AND SOLDERED TO ROTOR SHAFT, AND STATOR SPACING BRACKET RESPECTIVELY.

TOLERANCES	SCALE:
ALL OTHERS DEC. DIM. ± FRAC. DIM. ± ANGULAR DIM. ±	DRILL, PUNCH, COMMERCIAL STOCK SIZES AND MANUFACTURERS TOLERANCES ARE NOT INCLUDED.

GPR-92	PROJECT NO.	ASS'Y. NO.	DATE
GPR-90			10-29-62
			5-13-58
MODEL	PROJECT NO.	ASS'Y. NO.	DATE
USED ON			

REQ. ITEM	PART NO.	DESCRIPTION	SYMBOL
THE TECHNICAL MATERIEL CORP. MAMARONECK, NEW YORK			
CAPACITOR, VARIABLE			
AIR TUNING, BAND SPREAD.			
TYPE & TEMPER	19 E-29/56	HH	
HEAT TREAT. SPEC.	DRAWN	ELEC. DES. APP.	MECH. DES. APP.
	005 4/12		A.J.J.
FINISH & SPEC. NO.	CHECKED	FINAL APPROVAL	
		CB-131 L	

NOTICE TO PERSONS RECEIVING THIS DRAWING
 THE TECHNICAL MATERIEL CORPORATION claims proprietary right in the material disclosed hereon. This drawing is issued in confidence for engineering information only and may not be reproduced or used to manufacture anything shown hereon without permission from THE TECHNICAL MATERIEL CORPORATION to the user. This drawing is loaned for mutual assistance and is subject to recall at any time.
 Property of:
 THE TECHNICAL MATERIEL CORPORATION
 MAMARONECK, NEW YORK