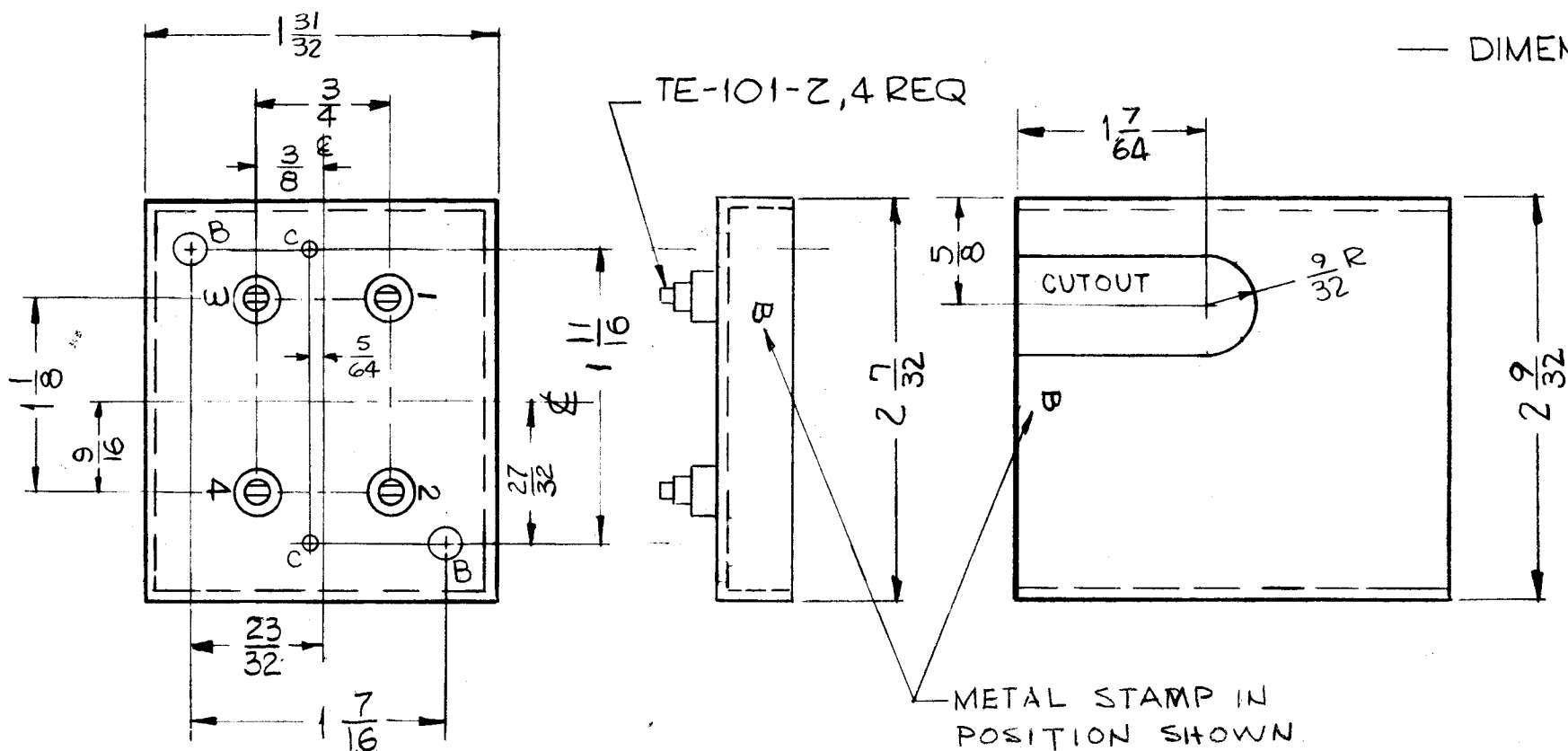
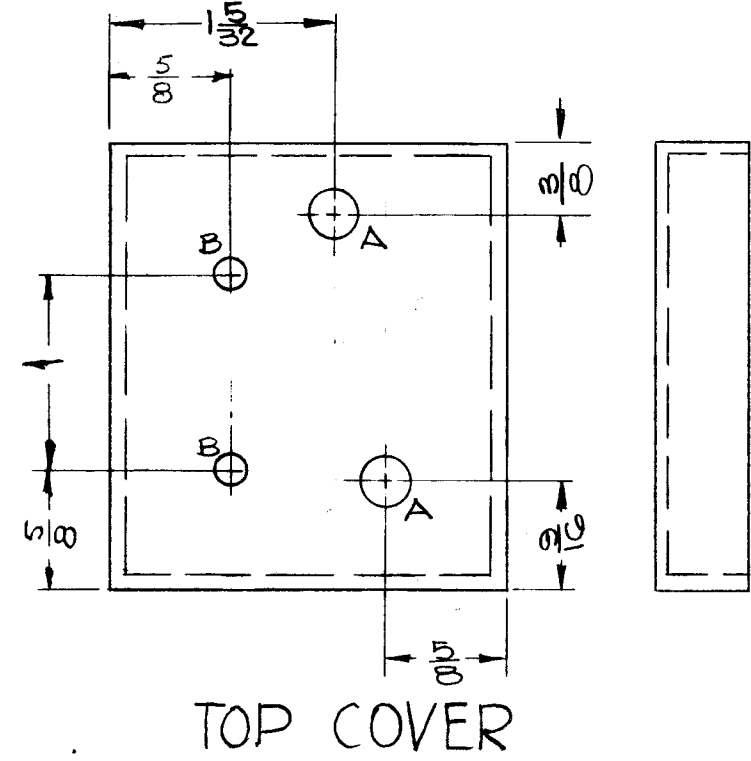


BX-196 D

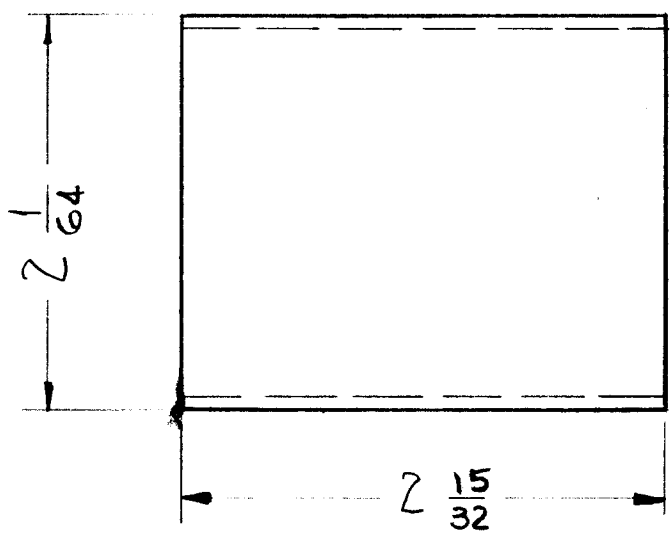


— DIMENSIONS FOR REF. ONLY —



NOTE: = BOTTOM COVER =

- METAL STAMP AS SHOWN 1, 2, 3 and 4.
- * PAINT T.M.C. GRAY (S-115)



HOLE LEGEND
 A - 1/4 DIA ~ 2 REQ
 B - 11/64 DIA. ~ 4 REQ.
 C - #47 (.078) DRILL ~ 2 REQ.

PROPERTY OF THE TECHNICAL MATERIEL CORPORATION
 THE TECHNICAL MATERIEL CORPORATION
 MAMARONECK, NEW YORK

REF: HELDOR MFG CO. 108-FB MODIFIED

SYM	DESCRIPTION	DATE	CH. NO.	DRAFTS	CHECKER	ENG. APP.
D	NOTE 2 (PAINT TMC GRAY) ADD.	5-8-64	11387	WB	@	
C	"A" HOLES ADDED ON TOP COVER	3-17-63	9943			
B	ADDED 2 "B" HOLES ON BOTTOM COVER DELETED (2) "TE-108-6" ON BOTTOM COVER	6-17-63	9297			
A	(1) "A" HOLE WAS 9/16 DIA. CUTOUT ADDED (2) "B" & (2) "C" HOLES ADDED.	2-28-63	8315			

REQ. PER UNIT	MODEL	SECTION	ASS'Y. NO.	DATE
1	GPR-9Z	FX-177	A2120	9-6-61

REQ. ITEM	PART NO.	DESCRIPTION	SYMBOL
	.019-.025	THE TECHNICAL MATERIEL CORP. MAMARONECK, NEW YORK	
	STEEL	CASE and COVER TRANSFORMER	
		RUZZO	JMA
		DRAWN	CHECKER
		MECH. DES. APP.	FINAL APPROVAL
	HOT TINNED *		BX-196 D