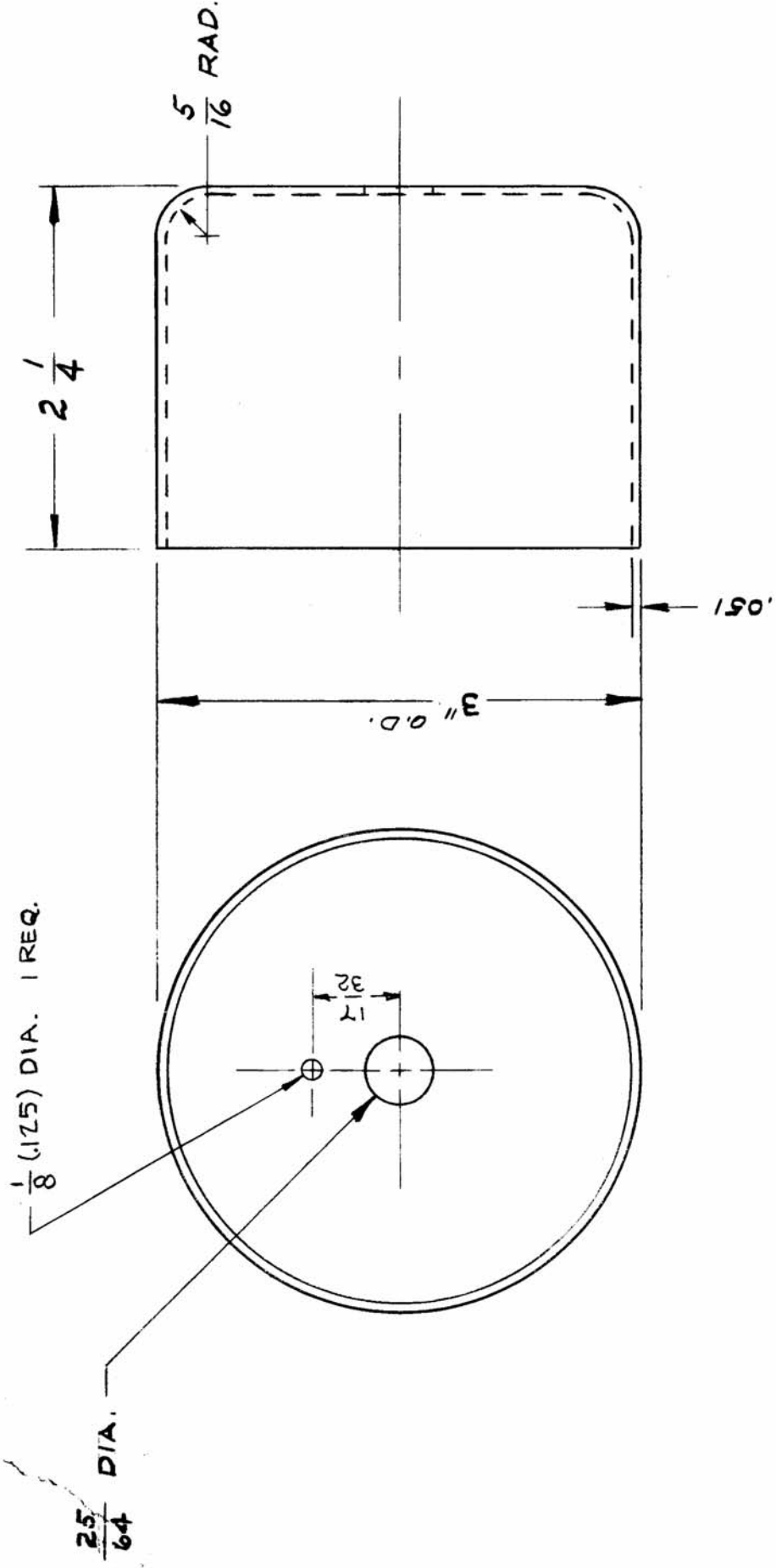


REQ. PER UNIT	1	MODEL	RTP-2	USED ON	BX-169
ASSY. NO.		DATE	10-16-58		B



REF: ZERO - PART NO ZR48-36

REQ. ITEM	PART NO.	DESCRIPTION	SYMBOL
	1051	THE TECHNICAL MATERIEL CORP. MAMARONECK. NEW YORK	
		ALUMINUM	
		3003	
		TYPE & TEMPER	
		S404 IRIDITE	
		FINISH & SPEC. NO.	
		HEAT TREAT. SPEC	
		3003	
		MATERIAL	
		ALUMINUM	
		STOCK SIZE	
		1051	
		DATE	
		11-10-58	
		CH. NO.	
		1	
		DRAFTS	
		JCB	
		CHECKER	
		ENG. APP.	
		SCALE:	
		MAXIMUM ALLOWABLE TOLERANCES HAVE BEEN DETERMINED AND ANY DEVIATIONS WILL BE CAUSE FOR REJECTION. REMOVE ALL BURRS AND SHARP EDGES	
		TOLERANCES	
		DEC. DIM. ±	
		FRAC. DIM. ±	1/64
		ANGULAR DIM. ±	
		FINISH & SPEC. NO.	
		S404 IRIDITE	
		HEAT TREAT. SPEC	
		TYPE & TEMPER	
		3003	
		MATERIAL	
		ALUMINUM	
		STOCK SIZE	
		1051	
		PART NO.	
		1051	
		DESCRIPTION	
		THE TECHNICAL MATERIEL CORP. MAMARONECK. NEW YORK	
		SYMBOL	
		FINISH & SPEC. NO.	
		S404 IRIDITE	
		HEAT TREAT. SPEC	
		TYPE & TEMPER	
		3003	
		MATERIAL	
		ALUMINUM	
		STOCK SIZE	
		1051	
		PART NO.	
		1051	
		DESCRIPTION	
		THE TECHNICAL MATERIEL CORP. MAMARONECK. NEW YORK	
		SYMBOL	
		FINISH & SPEC. NO.	
		S404 IRIDITE	
		HEAT TREAT. SPEC	
		TYPE & TEMPER	
		3003	
		MATERIAL	
		ALUMINUM	
		STOCK SIZE	
		1051	
		PART NO.	
		1051	
		DESCRIPTION	
		THE TECHNICAL MATERIEL CORP. MAMARONECK. NEW YORK	
		SYMBOL	
		FINISH & SPEC. NO.	
		S404 IRIDITE	
		HEAT TREAT. SPEC	
		TYPE & TEMPER	
		3003	
		MATERIAL	
		ALUMINUM	
		STOCK SIZE	
		1051	
		PART NO.	
		1051	
		DESCRIPTION	
		THE TECHNICAL MATERIEL CORP. MAMARONECK. NEW YORK	
		SYMBOL	
		FINISH & SPEC. NO.	
		S404 IRIDITE	
		HEAT TREAT. SPEC	
		TYPE & TEMPER	
		3003	
		MATERIAL	
		ALUMINUM	
		STOCK SIZE	
		1051	
		PART NO.	
		1051	
		DESCRIPTION	
		THE TECHNICAL MATERIEL CORP. MAMARONECK. NEW YORK	
		SYMBOL	
		FINISH & SPEC. NO.	
		S404 IRIDITE	
		HEAT TREAT. SPEC	
		TYPE & TEMPER	
		3003	
		MATERIAL	
		ALUMINUM	
		STOCK SIZE	
		1051	
		PART NO.	
		1051	
		DESCRIPTION	
		THE TECHNICAL MATERIEL CORP. MAMARONECK. NEW YORK	
		SYMBOL	
		FINISH & SPEC. NO.	
		S404 IRIDITE	
		HEAT TREAT. SPEC	
		TYPE & TEMPER	
		3003	
		MATERIAL	
		ALUMINUM	
		STOCK SIZE	
		1051	
		PART NO.	
		1051	
		DESCRIPTION	
		THE TECHNICAL MATERIEL CORP. MAMARONECK. NEW YORK	
		SYMBOL	
		FINISH & SPEC. NO.	
		S404 IRIDITE	
		HEAT TREAT. SPEC	
		TYPE & TEMPER	
		3003	
		MATERIAL	
		ALUMINUM	
		STOCK SIZE	
		1051	
		PART NO.	
		1051	
		DESCRIPTION	
		THE TECHNICAL MATERIEL CORP. MAMARONECK. NEW YORK	
		SYMBOL	
		FINISH & SPEC. NO.	
		S404 IRIDITE	
		HEAT TREAT. SPEC	
		TYPE & TEMPER	
		3003	
		MATERIAL	
		ALUMINUM	
		STOCK SIZE	
		1051	
		PART NO.	
		1051	
		DESCRIPTION	
		THE TECHNICAL MATERIEL CORP. MAMARONECK. NEW YORK	
		SYMBOL	
		FINISH & SPEC. NO.	
		S404 IRIDITE	
		HEAT TREAT. SPEC	
		TYPE & TEMPER	
		3003	
		MATERIAL	
		ALUMINUM	
		STOCK SIZE	
		1051	
		PART NO.	
		1051	
		DESCRIPTION	
		THE TECHNICAL MATERIEL CORP. MAMARONECK. NEW YORK	
		SYMBOL	
		FINISH & SPEC. NO.	
		S404 IRIDITE	
		HEAT TREAT. SPEC	
		TYPE & TEMPER	
		3003	
		MATERIAL	
		ALUMINUM	
		STOCK SIZE	
		1051	
		PART NO.	
		1051	
		DESCRIPTION	
		THE TECHNICAL MATERIEL CORP. MAMARONECK. NEW YORK	
		SYMBOL	
		FINISH & SPEC. NO.	
		S404 IRIDITE	
		HEAT TREAT. SPEC	
		TYPE & TEMPER	
		3003	
		MATERIAL	
		ALUMINUM	
		STOCK SIZE	
		1051	
		PART NO.	
		1051	
		DESCRIPTION	
		THE TECHNICAL MATERIEL CORP. MAMARONECK. NEW YORK	
		SYMBOL	
		FINISH & SPEC. NO.	
		S404 IRIDITE	
		HEAT TREAT. SPEC	
		TYPE & TEMPER	
		3003	
		MATERIAL	
		ALUMINUM	
		STOCK SIZE	
		1051	
		PART NO.	
		1051	
		DESCRIPTION	
		THE TECHNICAL MATERIEL CORP. MAMARONECK. NEW YORK	
		SYMBOL	
		FINISH & SPEC. NO.	
		S404 IRIDITE	
		HEAT TREAT. SPEC	
		TYPE & TEMPER	
		3003	
		MATERIAL	
		ALUMINUM	
		STOCK SIZE	
		1051	
		PART NO.	
		1051	
		DESCRIPTION	
		THE TECHNICAL MATERIEL CORP. MAMARONECK. NEW YORK	
		SYMBOL	
		FINISH & SPEC. NO.	
		S404 IRIDITE	
		HEAT TREAT. SPEC	
		TYPE & TEMPER	
		3003	
		MATERIAL	
		ALUMINUM	
		STOCK SIZE	
		1051	
		PART NO.	
		1051	
		DESCRIPTION	
		THE TECHNICAL MATERIEL CORP. MAMARONECK. NEW YORK	
		SYMBOL	
		FINISH & SPEC. NO.	
		S404 IRIDITE	
		HEAT TREAT. SPEC	
		TYPE & TEMPER	
		3003	
		MATERIAL	
		ALUMINUM	
		STOCK SIZE	
		1051	
		PART NO.	
		1051	
		DESCRIPTION	
		THE TECHNICAL MATERIEL CORP. MAMARONECK. NEW YORK	
		SYMBOL	
		FINISH & SPEC. NO.	
		S404 IRIDITE	
		HEAT TREAT. SPEC	
		TYPE & TEMPER	
		3003	
		MATERIAL	
		ALUMINUM	
		STOCK SIZE	
		1051	
		PART NO.	
		1051	
		DESCRIPTION	
		THE TECHNICAL MATERIEL CORP. MAMARONECK. NEW YORK	
		SYMBOL	
		FINISH & SPEC. NO.	
		S404 IRIDITE	
		HEAT TREAT. SPEC	
		TYPE & TEMPER	
		3003	
		MATERIAL	
		ALUMINUM	
		STOCK SIZE	
		1051	
		PART NO.	
		1051	
		DESCRIPTION	
		THE TECHNICAL MATERIEL CORP. MAMARONECK. NEW YORK	
		SYMBOL	
		FINISH & SPEC. NO.	
		S404 IRIDITE	
		HEAT TREAT. SPEC	
		TYPE & TEMPER	
		3003	
		MATERIAL	
		ALUMINUM	
		STOCK SIZE	
		1051	
		PART NO.	
		1051	
		DESCRIPTION	
		THE TECHNICAL MATERIEL CORP. MAMARONECK. NEW YORK	
		SYMBOL	
		FINISH & SPEC. NO.	
		S404 IRIDITE	
		HEAT TREAT. SPEC	
		TYPE & TEMPER	
		3003	
		MATERIAL	
		ALUMINUM	
		STOCK SIZE	
		1051	
		PART NO.	
		1051	
		DESCRIPTION	
		THE TECHNICAL MATERIEL CORP. MAMARONECK. NEW YORK	
		SYMBOL	
		FINISH & SPEC. NO.	
		S404 IRIDITE	
		HEAT TREAT. SPEC	
		TYPE & TEMPER	
		3003	
		MATERIAL	
		ALUMINUM	
		STOCK SIZE	
		1051	
		PART NO.	
		1051	
		DESCRIPTION	
		THE TECHNICAL MATERIEL CORP. MAMARONECK. NEW YORK	
		SYMBOL	
		FINISH & SPEC. NO.	
		S404 IRIDITE	
		HEAT TREAT. SPEC	
		TYPE & TEMPER	
		3003	
		MATERIAL	
		ALUMINUM	
		STOCK SIZE	
		1051	
		PART NO.	
		1051	
		DESCRIPTION	
		THE TECHNICAL MATERIEL CORP. MAMARONECK. NEW YORK	
		SYMBOL	
		FINISH & SPEC. NO.	
		S404 IRIDITE	
		HEAT TREAT. SPEC	
		TYPE & TEMPER	
		3003	
		MATERIAL	
		ALUMINUM	
		STOCK SIZE	
		1051	
		PART NO.	
		1051	