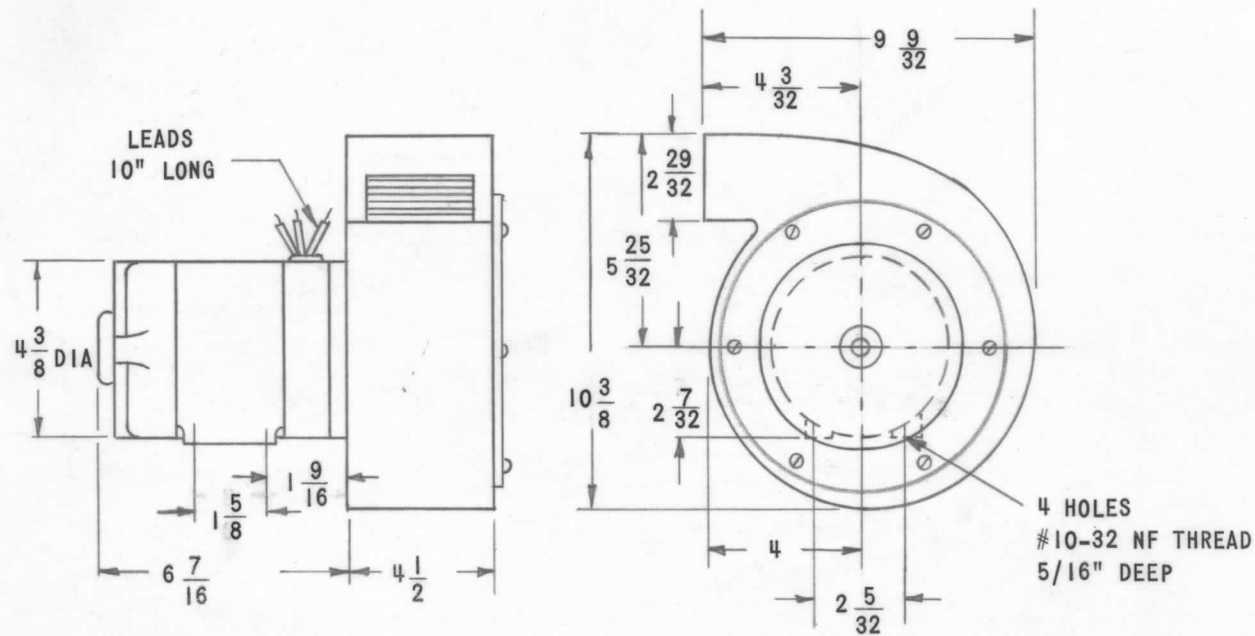


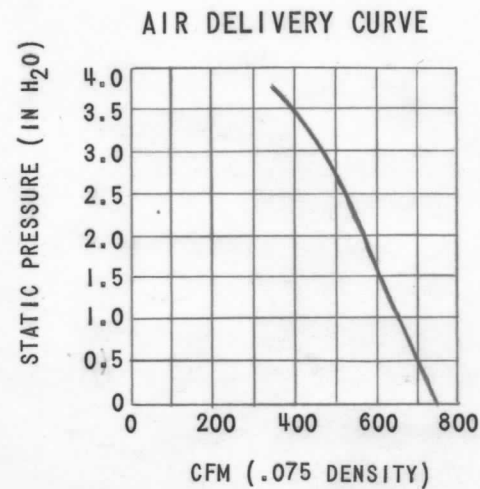
REVISIONS						
ZONE	LTR	DESCRIPTION	DATE	E.M.N.NO	DRAFT	CHKD APPD
	X	EXPERIMENTAL RELEASE	9/9/68		C.V.	<i>[Signature]</i>
	Ø	ORIG. RELEASE FOR PROD	10/28/68	Ø	R.G.	<i>[Signature]</i>

**SPECIFICATIONS**

CAPACITY (FREE AIR): 750 CFM  
 INPUT VOLTAGE: 208/440 VOLTS  
 FREQUENCY: 60 CPS  
 PHASE: 3  
 INPUT POWER: 600 WATTS  
 CURRENT: 2/1 AMPS  
 STALL CURRENT: 6.2/3.1 AMPS  
 SPEED: 3350 RPM  
 WEIGHT: 17.9 LBS.



MFR (TMC CODE NO.): S401-116  
 MFR PART NUMBER: BT3830B-16



1	SPT 3K UHF	
QTY / UNIT	MODEL USED ON	ASS'Y NO.
APPLICATION		
	CODE	

**NOTICE TO PERSONS RECEIVING THIS DRAWING**  
 THE TECHNICAL MATERIEL CORPORATION claims proprietary right in the material disclosed hereon. This drawing is issued in confidence for engineering information only and may not be reproduced or used to manufacture anything shown hereon without permission from THE TECHNICAL MATERIEL CORPORATION to the user. This drawing is loaned for mutual assistance and is subject to recall at any time.

UNLESS OTHERWISE SPECIFIED DIMENSIONS ARE IN INCHES AND INCLUDE CHEMICALLY APPLIED OR PLATED FINISHES	
DECIMALS .X ± .05 .XX ± .01 .XXX ± .005	FRACTIONS 1/64 ANGLES 0° -30'
MATERIAL	
FINISH	

REQ'D	ITEM	PART NUMBER	DESCRIPTION	SYM.
<b>BUDETTI LIST OF MATERIAL</b>				
FINAL APPROVAL <i>[Signature]</i>			DATE 10/25/68	<b>THE TECHNICAL MATERIEL CORP.</b> MAMARONECK, NEW YORK
MECH. DES. <i>[Signature]</i>			DATE 10/25/68	
ELECT. DES. <i>[Signature]</i>			DATE 10/25/68	
CHECKED <i>[Signature]</i>			DATE 10/25/68	
DRAWN <i>[Signature]</i>			DATE 9/3/68	<b>BLOWER, AIR</b>
SIZE	CODE IDENT. NO.	DWG NO.	ISSUE	
B	82679	BL 130	Ø	
SCALE <i>[Handwritten]</i>		SHEET OF		