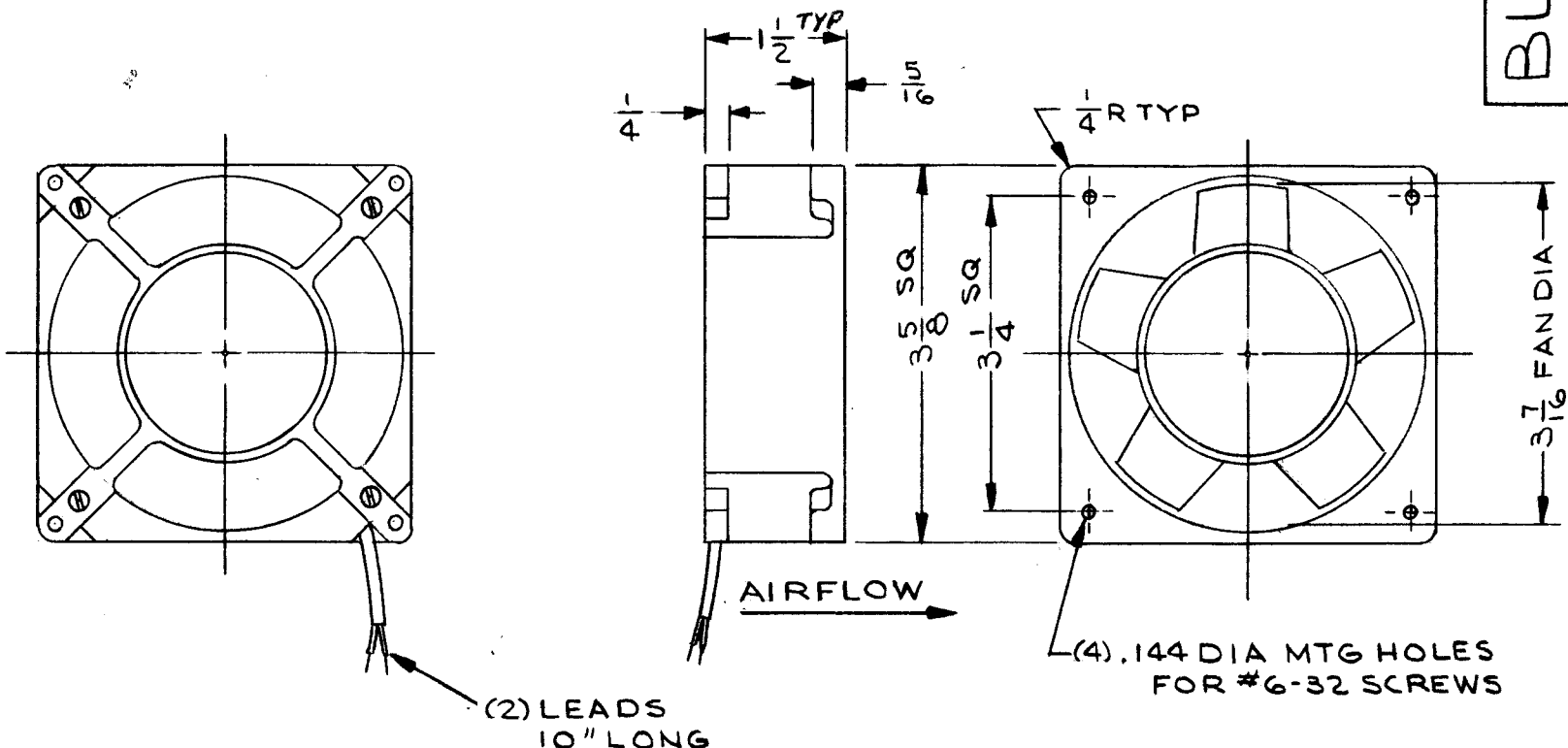


TMC PART NUMBER	MFGR NUMBER	VOLT	FREQ	PH
BL128-1	MBS2107F	115	50/60 Hz	1

BL128 A

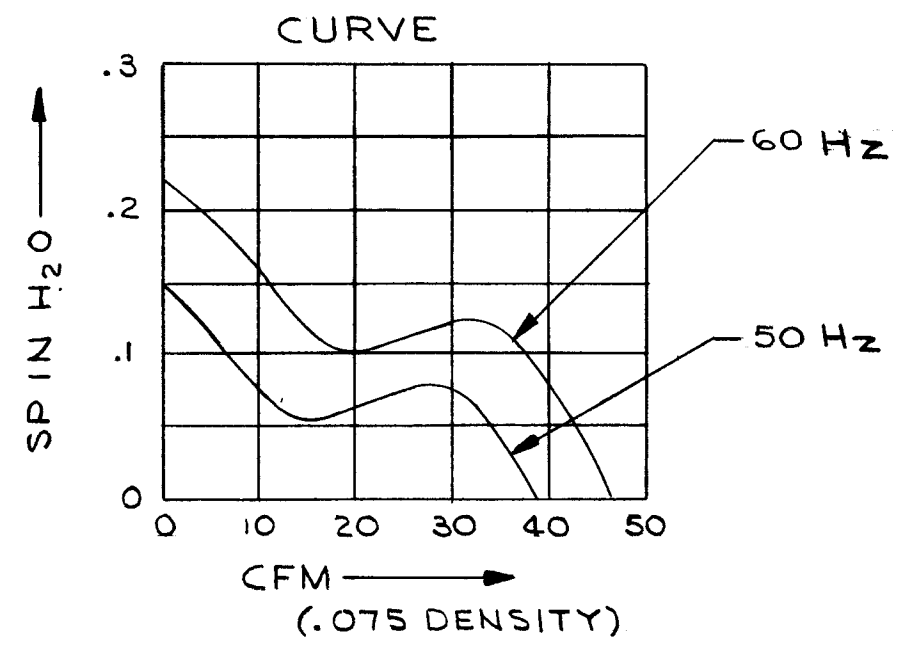
REVISIONS					
SYM	DESCRIPTION	DATE	E.M.N. NO.	DRAFT	CHKD
X	EXP. RELEASE	9/13/66		JL	JL
Ø	ORIGINAL RELEASE FOR PRODUCTION	12/7/66	Ø	CV	
A	DEPTH CHANGE TO TYP - SEE BL131	1/20/66		FB	FB



- SPECIFICATIONS -

CFM: 45@ 60 Hz (CPS) FREE DELIVERY

MATERIAL:  
 HOUSING: ALUMINUM  
 FAN: PLASTIC  
 FINISH: BLACK, SEMI-GLOSS ENAMEL



1	RTIH-3	
Q'TY./UNIT	MODEL USED ON	ASS'Y. NO.
SCALE	CODE	S401-116

THE CONTENTS OF THIS DRAWING ARE THE EXCLUSIVE PROPERTY OF THE TECHNICAL MATERIEL CORP. ITS UNAUTHORIZED USE OR REPRODUCTION IN WHOLE OR IN PART IS STRICTLY FORBIDDEN.

REQ'D.	ITEM	PART NUMBER	DESCRIPTION	SYMBOL
LIST OF MATERIAL				
MATERIAL		THE TECHNICAL MATERIEL CORP. MAMARONECK, NEW YORK		
FINISH		TITLE BLOWER, FAN		
UNLESS OTHERWISE SPECIFIED DIMENSIONS ARE IN INCHES AND INCLUDE CHEMICALLY APPLIED OR PLATED FINISHES		DRAWN J. LESHINSKI	DATE 10/12/66	FINAL APPROV. <i>[Signature]</i>
DECIMALS .X ± .05 .XX ± .01 .XXX ± .005		CHECKED <i>[Signature]</i>	DATE 10/31/66	DATE 12/6/66
FRACTIONS ± 1/64 ANGLES ± 0° 30'		ELECT. DES. <i>[Signature]</i>	DATE 12/2/66	DATE
TOLERANCES		MECH. DES. <i>[Signature]</i>	DATE	DATE
			SHEET BL128	REV. LTR. A

NOTES