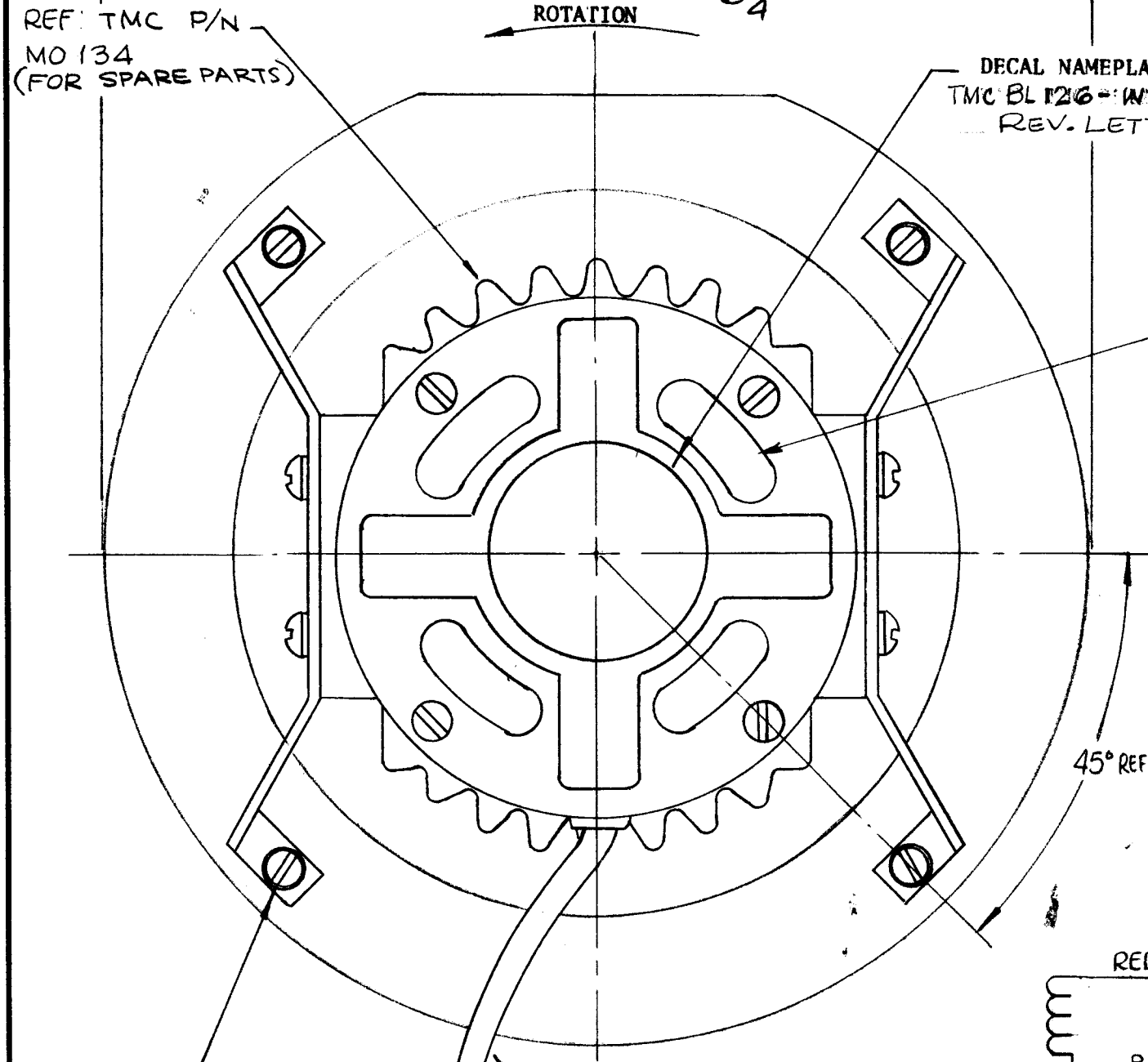


REVISIONS						
ZONE	YM	DESCRIPTION	DATE	E.M.N. NO.	DRAFT	CHKD
B		ADD NAMEPLATE NOTE: 47.5 TO 63HZ WAS 50/60CY	10-22-66	11037	WCA	WCA
C		COMPLETELY REV.	12-15-67	18674	WCA	WCA

REVISIONS						
SYM	DESCRIPTION	DATE	E.M.N. NO.	DRAFT	CHKD	APPD
X1	SPARE PARTS NOS ADDED	11-22-65	X1	WCA	WCA	WCA
Ø	ORIGINAL RELEASE FOR PRODUCTION	5-5-66	Ø	WCA	WCA	WCA
A	CHG'D POSITION OF 6 1/4" DIM. ADDED 6" DIM.	7-27-66	16658	RME	WCA	WCA



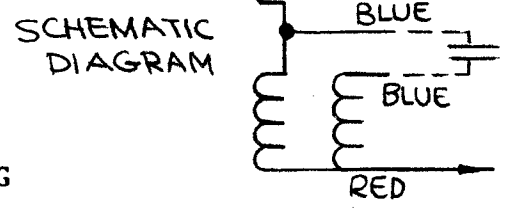
REF. TMC P/N
MO 134
(FOR SPARE PARTS)

DECAL NAMEPLATE TO INCLUDE
TMC BL 126 W/LATEST
REV. LETTER

4 LOUVRES
(BOTH ENDS)

SPECIFICATIONS:
230V, 47.5 TO 63Hz, 1 PHASE
0.6A, 2600/3200 RPM
4 MFD 220 VAC CAP.

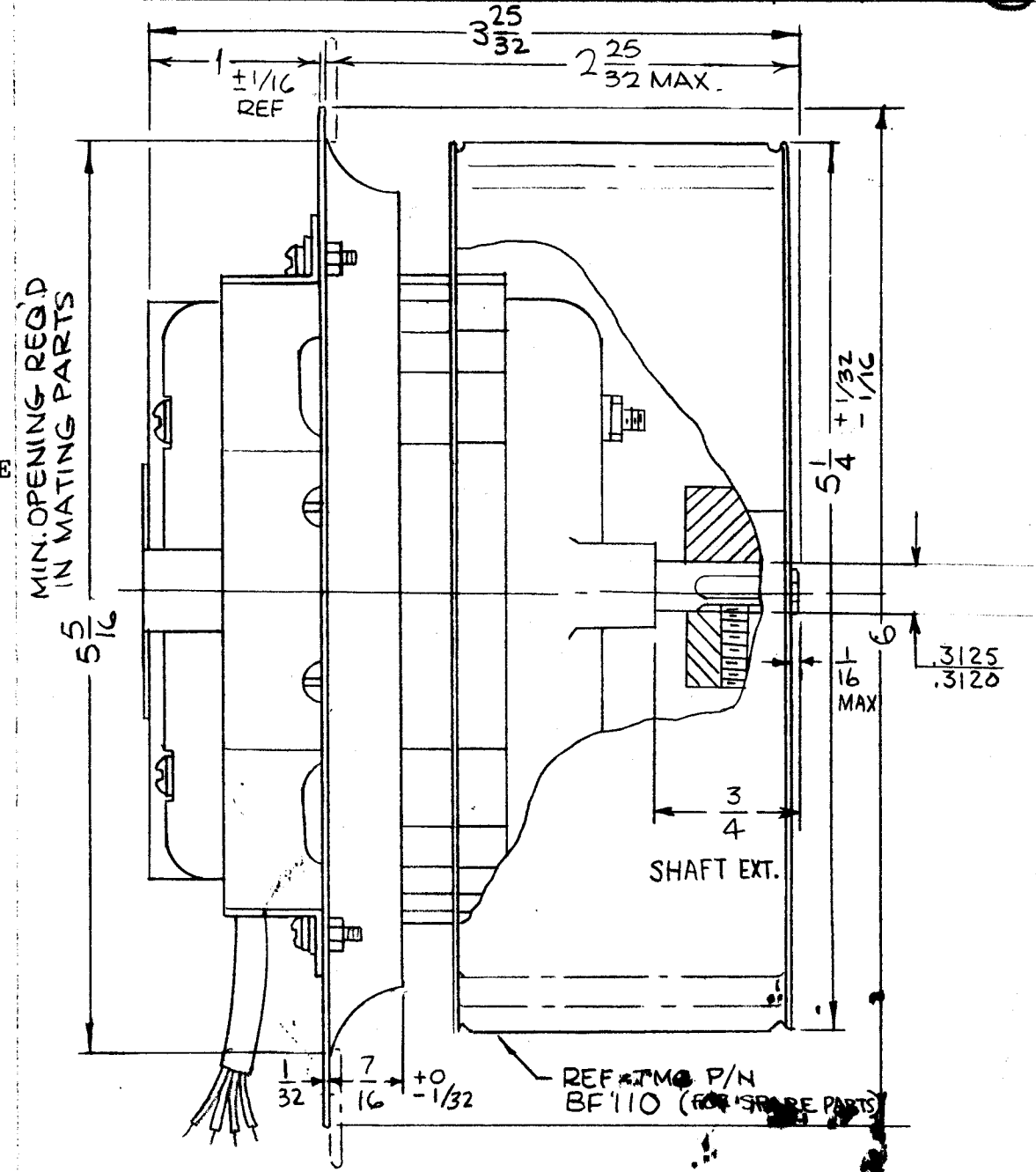
FINISH:
MOTOR-BLACK ANODIZE
WHEEL & BRACKETS CAD.
PLATE & BRONZE IRIDITE
INLET RING SEMI-GLOSS
BLACK ENAMEL



SCHMATIC
DIAGRAM

(4) 6-32 NC-2 x 7/16 LONG
SCREWS EQUALLY SPACED ON
5-5/8 DIA. B.C. NUTS TO BE
REMOVED BEFORE ASSY OF UNIT
INTO ASSOC. BLOWER HOUSING

(4) LEADS 22" LONG
W/SLEEVE



MIN. OPENING REQ'D
IN MATING PARTS

REF. TMC P/N
BF 110 (FOR SPARE PARTS)

REQ'D.	ITEM	PART NUMBER	DESCRIPTION	SYMBOL
F. BUDETTI LIST OF MATERIAL				
MATERIAL		THE TECHNICAL MATERIEL CORP. MAMARONECK, NEW YORK		
FINISH		TITLE BLOWER, CENTRIFUGAL		
SEE NOTE		DRAWN <i>WCA</i> DATE 10-5-65		
UNLESS OTHERWISE SPECIFIED DIMENSIONS ARE IN INCHES AND INCLUDE CHEMICALLY APPLIED OR PLATED FINISHES		CHECKED <i>WCA</i> DATE		
DECIMALS .X ± .05 .XX ± .01 .XXX ± .005		ELECT. DES. DATE		
FRACTIONS ± 1/64 ANGLES ± 0° 30'		MECH. DES. DATE		
TOLERANCES		SHEET		
		REV. LTR.		

NOTES

THE CONTENTS OF THIS DRAWING ARE THE EXCLUSIVE PROPERTY
OF THE TECHNICAL MATERIEL CORP. ITS UNAUTHORIZED USE OR
REPRODUCTION IN WHOLE OR IN PART IS STRICTLY FORBIDDEN.

1	RFTA-1	
Q'TY./UNIT	MODEL USED ON	ASS'Y. NO.
SCALE 1:1	CODE C	S401-116 (BC2914B-3-2)