

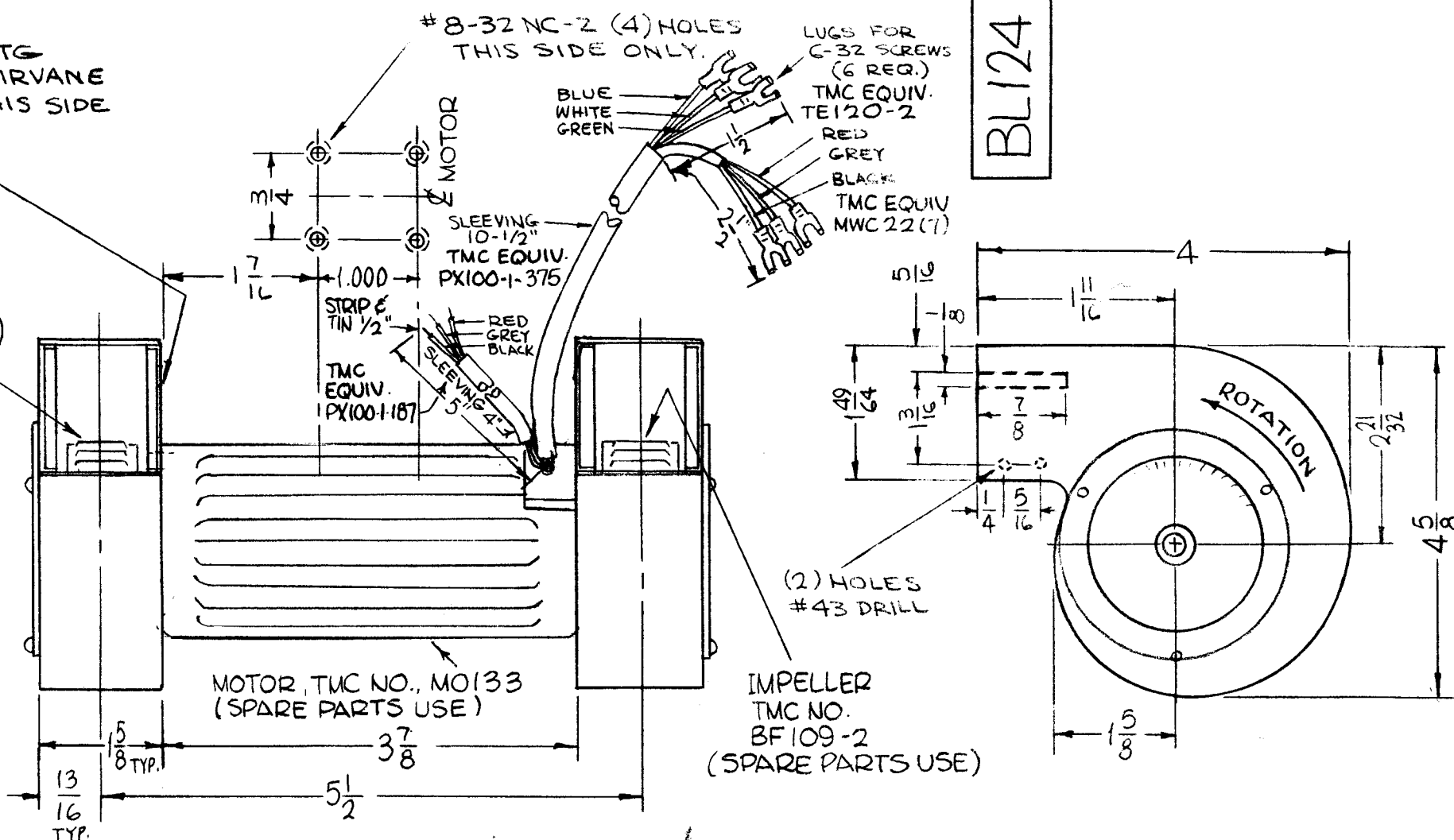
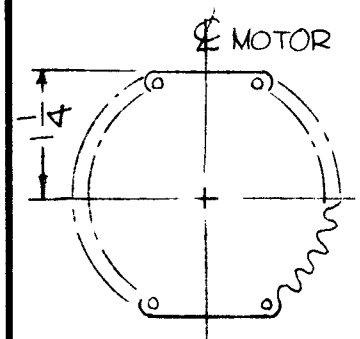
BL124

REVISIONS

SYM	DESCRIPTION	DATE	E.M.N. NO.	DRAFT	CHKD	APPD
XI	SPARE PARTS BF109-1,-2, MO133, CABLING, AND FINISH ADDED	11/23/65		Jc		
Ø	ORIGINAL RELEASE FOR PRODUCTION	11-23-65				

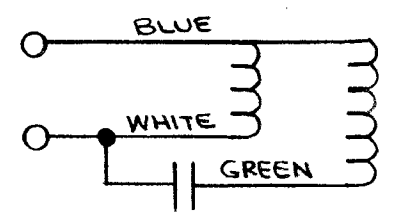
NOTE:  
SLOT AND MTG HOLES FOR AIRVANE SWITCH, ON THIS SIDE

IMPELLER TMC NO. BF109-1 (SPARE PARTS USE)



SPECIFICATIONS:  
RATING ~ 220V, 1Ø  
50/60 CY  
3100 RPM  
38 CFM PER BLOWER @ O.S.P.

FINISH:  
MOTOR: VENTURE SEMI-GLOSS BLACK  
IMPELLER: CADMIUM PLATED, IRIDITE



SCHMATIC DIAGRAM

NOTES

1	VLLA-1	
Q'TY./UNIT	MODEL USED ON	ASS'Y. NO.
SCALE	CODE	S401-116
	C	BC2207B-1A

THE CONTENTS OF THIS DRAWING ARE THE EXCLUSIVE PROPERTY OF THE TECHNICAL MATERIEL CORP. ITS UNAUTHORIZED USE OR REPRODUCTION IN WHOLE OR IN PART IS STRICTLY FORBIDDEN.

REQ'D.	ITEM	PART NUMBER	DESCRIPTION	SYMBOL
F. BUDETTI LIST OF MATERIAL				
MATERIAL		THE TECHNICAL MATERIEL CORP. MAMARONECK, NEW YORK		
FINISH		TITLE BLOWER, DOUBLE ENDED		
UNLESS OTHERWISE SPECIFIED DIMENSIONS ARE IN INCHES AND INCLUDE CHEMICALLY APPLIED OR PLATED FINISHES		DRAWN	DATE	FINAL APPROVAL
DECIMALS .X ± .05 .XX ± .01 .XXX ± .005		11-17-65	11/18/65	11/23/65
FRACTIONS ± 1/64 ANGLES ± 0° 30'		DATE	DATE	DATE
TOLERANCES		MECH. DES.	DATE	REV. LTR.