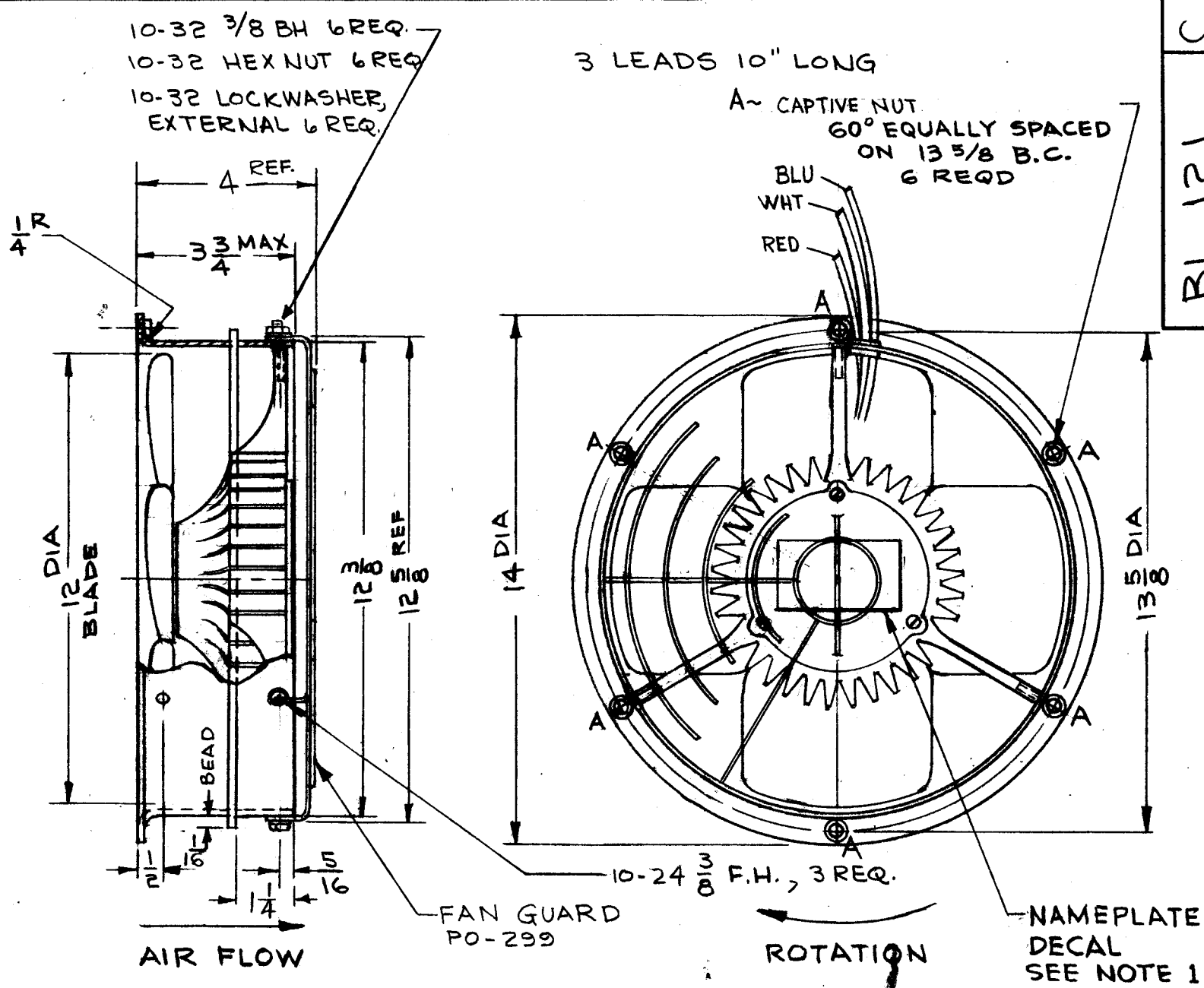


STANDARD DRAWING

BL 121 C



REVISIONS						
SYM	DESCRIPTION	DATE	E.M.N. NO.	DRAFT	CHKD	APPD
XI	SCREW DESCRIPTIONS ADDED; 1/2 & 5/16 DIMS ADDED	6-4-64	1			
Ø	ORIGINAL RELEASE FOR PRODUCTION	6-8-64	2			
A	A-HOLES WERE .204 DIA. IT. 1 & IT. 1 CALLOUT W/NOTE ADDED	11.3.64	12812			
B	BC3810F-0-1 ADD. TO S401; IT. 1 (NT129-R72-4) DELE; ON NOTE 1: 1 THRU 5 & 7 WAS 1 THRU 6; CALLOUT 10-24 3/8 WAS 10-32 3/8; 3 LEADS ON PICT. RELOC; SPECS, 3 FREQ; 50/60 CPS WAS 60 CPS.	3-23-65	13649	J.F.	JAS	
C	DIMS. 1/4 - 1/16 BEAD (SEE NOTE 2) ADDED 1.5/1.2 AMPS WAS 1.2 AMPS.	7-28-65	14470	D.V.V.	JCP	

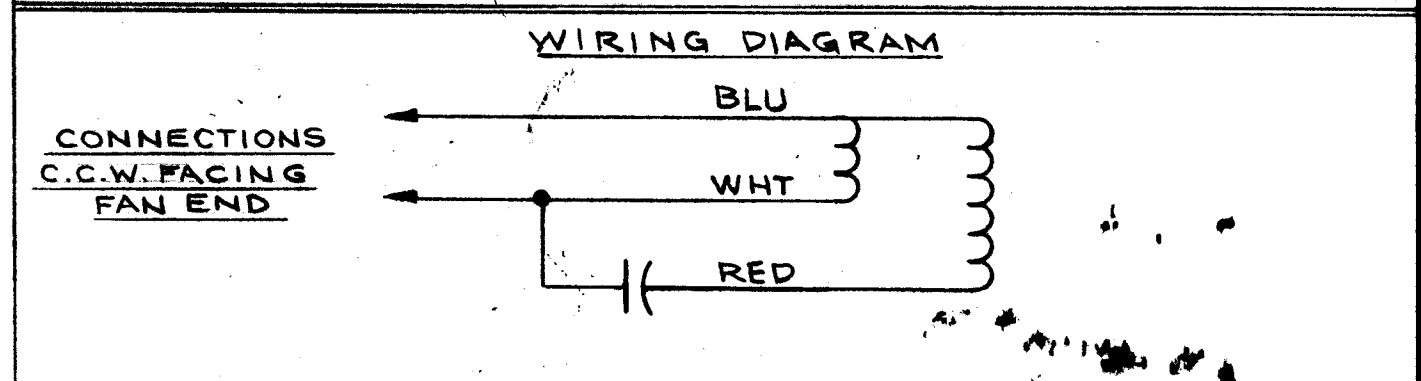
SPECIFICATIONS

1. VOLTAGE : 115 VAC	4. PHASE : SINGLE
2. CURRENT : 1.5/1.2 AMPS	5. RPM : 1725 NOMINAL
3. FREQUENCY : 50/60 CPS	6. CFM : 1000
	7. CAP : 8 MFD (220 VAC)
	(SEE NOTE 2)

NOISE LEVEL: 75 db, MICROPHONE 5 FT AWAY.
WEIGHT : 6 1/2 LBS

AIR DELIVERY

Static Pressure (IN H ₂ O)	CFM
0.1	1000
0.2	700
0.4	400
0.6	250
0.8	150



- NOTES:**
1. NAMEPLATE TO BE SUPPLIED BY MFR AND SHALL CONTAIN SPECS NO. 1 THRU 5 & 7 AND TMC PART NO. BL-121.
 2. CAPACITOR NOT SUPPLIED BY MFR.

REQ'D.	ITEM	PART NUMBER	DESCRIPTION	SYMBOL
	1	DELETED		

I. JOHNSON LIST OF MATERIAL

MATERIAL	THE TECHNICAL MATERIEL CORP. MAMARONECK, NEW YORK		
FINISH	TITLE FAN, TUBE, AXIAL		
UNLESS OTHERWISE SPECIFIED DIMENSIONS ARE IN INCHES AND INCLUDE CHEMICALLY APPLIED OR PLATED FINISHES	DRAWN JAS	DATE 12-12-63	FINAL APPROVAL RC
DECIMALS .X ± .05 .XX ± .01 .XXX ± .005	TOLERANCES	FRACTIONS ± 1/64 ANGLES ± 0° 30'	DATE 6-4-64
THE CONTENTS OF THIS DRAWING ARE THE EXCLUSIVE PROPERTY OF THE TECHNICAL MATERIEL CORP. ITS UNAUTHORIZED USE OR REPRODUCTION IN WHOLE OR IN PART IS STRICTLY FORBIDDEN.		DATE 6-4-64	DATE 6-4-64

1	RAK-31A, C	A-3620
Q'TY./UNIT	MODEL USED ON	ASS'Y. NO.
SCALE NONE	CODE C	S-401-116 BC3810F & G5-173 BC3810F-0-1
NOTES		