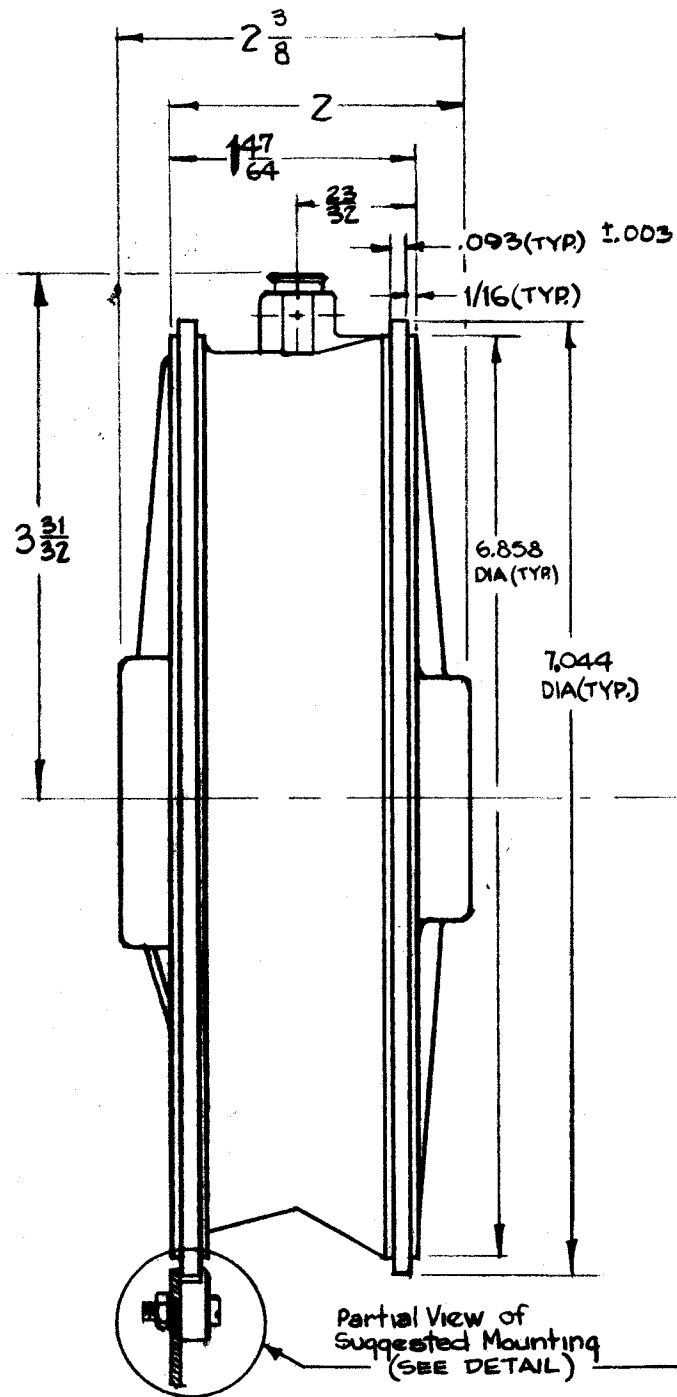


BL-109

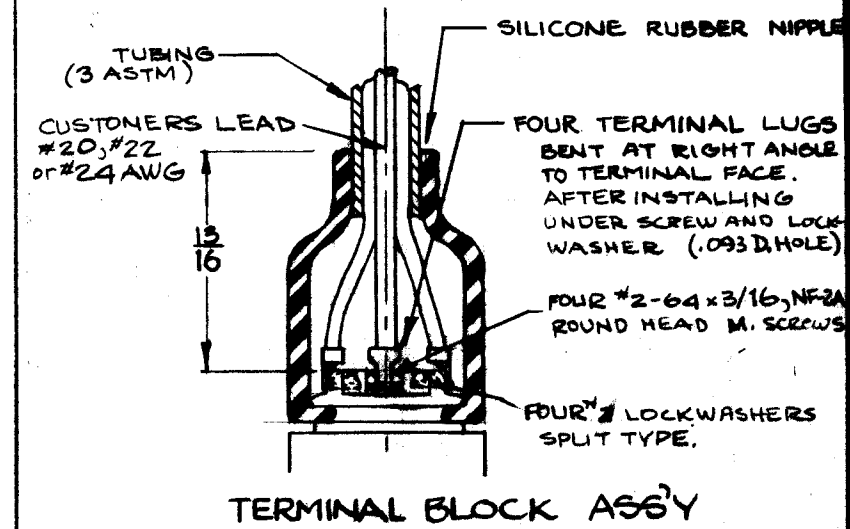
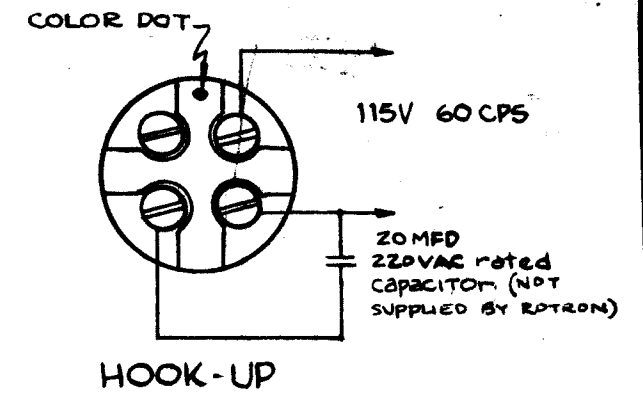
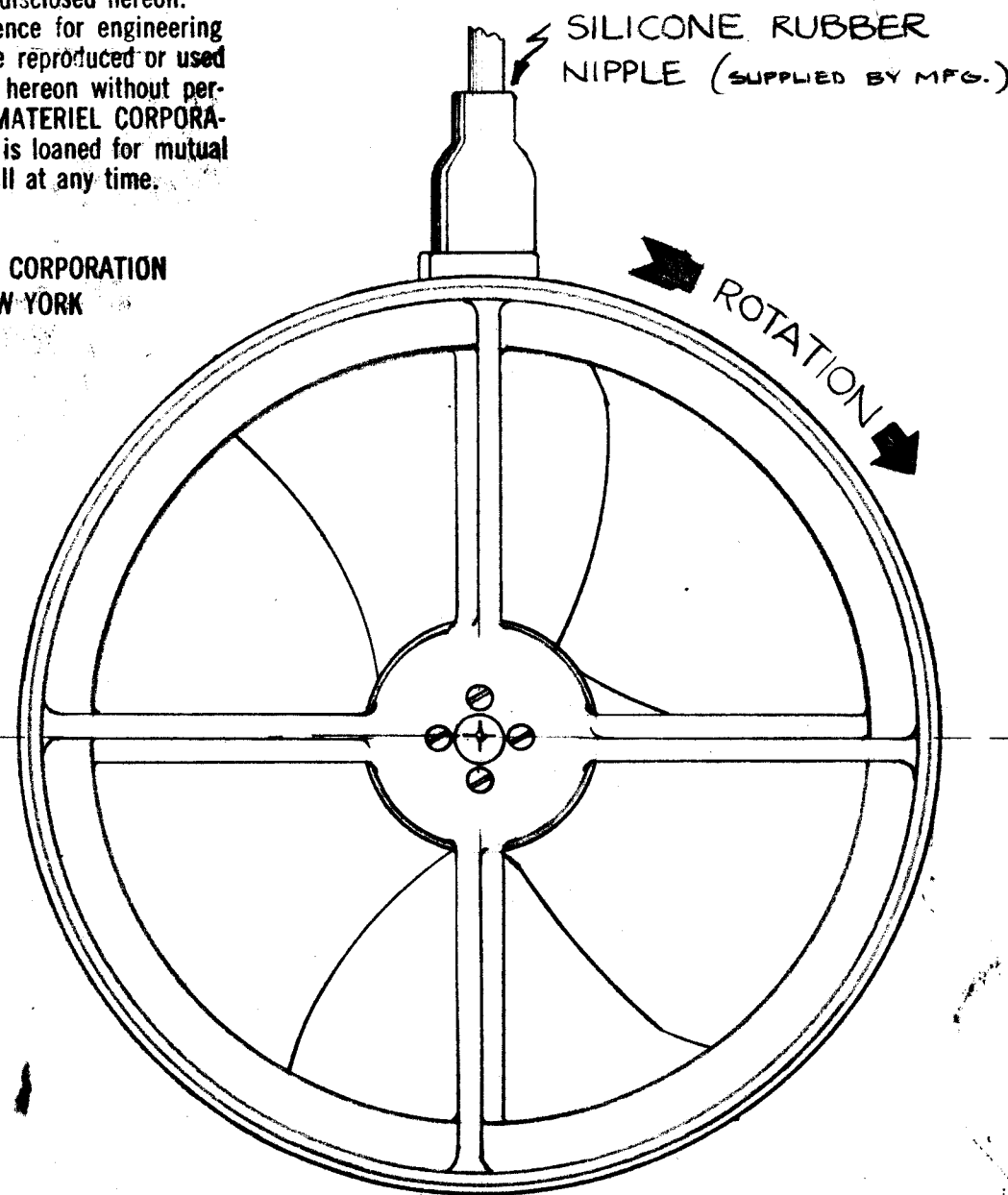
NOTICE TO PERSONS RECEIVING THIS DRAWING

THE TECHNICAL MATERIEL CORPORATION claims proprietary right in the material disclosed hereon. This drawing is issued in confidence for engineering information only and may not be reproduced or used to manufacture anything shown hereon without permission from THE TECHNICAL MATERIEL CORPORATION to the user. This drawing is loaned for mutual assistance and is subject to recall at any time.

Property of:
THE TECHNICAL MATERIEL CORPORATION
 MAMARONECK, NEW YORK



AIR FLOW →



~ SPECIFICATIONS ~

DESIGNATION: ROTRON SERIES 340ZS
 VOLTAGE: 115 ± 10%
 PHASE: 1,
 FREQUENCY: 50-60 CPS
 RUNNING CURRENT: 0.2 AMPS.
 LOCKED ROTOR CURRENT: 0.3 AMPS

INSULATION CLASS: A; 65°C MAX. AMBIENT.
 AIRFLOW: REVERSIBLE
 CAPACITOR: 20MFD ± 20%; 220VAC (Max 150VAC)
 MAXIMUM AMBIENT TEMPERATURE: 65°C

ISSUE ITEM	CHANGED FROM	DATE	CH. NO.	DRAFTS	CHECKER	ENG. APP.
TOLERANCES						
DEC. DIM. ± .010		SCALE:				
FRAC. DIM. ± 1/32		MAXIMUM ALLOWABLE TOLERANCES HAVE BEEN DETERMINED AND ANY DEVIATIONS WILL BE CAUSE FOR REJECTION.				
ANGULAR DIM. ±		REMOVE ALL BURRS AND SHARP EDGES				

REQ. PER UNIT	1	MODEL	RAK-9	PROJECT NO.	CPP-2	DATE	3-14-60
USED ON							

REQ. ITEM	PART NO.	DESCRIPTION	SYMBOL
THE TECHNICAL MATERIEL CORP. MAMARONECK, NEW YORK			
STOCK SIZE			
FAN, SAUCER			
MATERIAL			
TYPE & TEMPER	HEAT TREAT. SPEC.	DRAWN	CHECKED
FINISH & SPEC. NO.		FINAL APPROVAL	
		BL-109	
ELEC. DES. APP.		MECH. DES. APP.	