

BL-108 J

| TMC CONTROL NO. | MFRS CODE | MFRS P/N |
|-----------------|-----------|------------|
| BL108XX1FG | S401-116 | BC2922F-11 |
| BL108XX19 | S401-118 | A019144 |

NOTICE

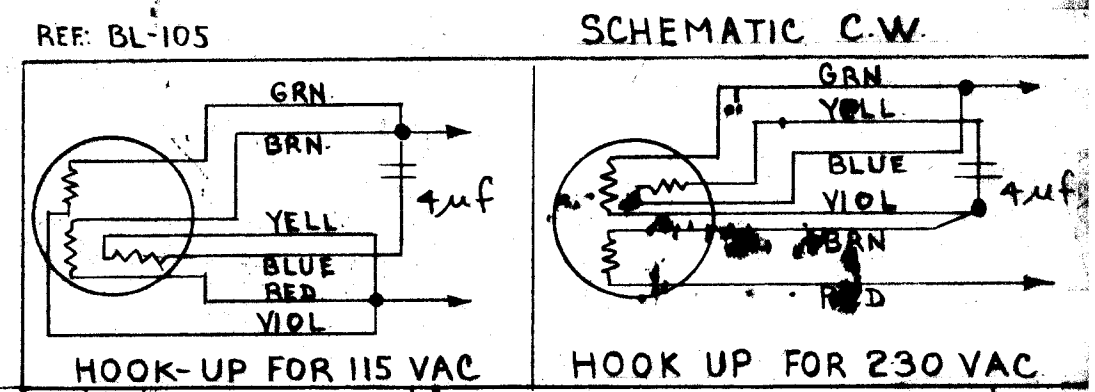
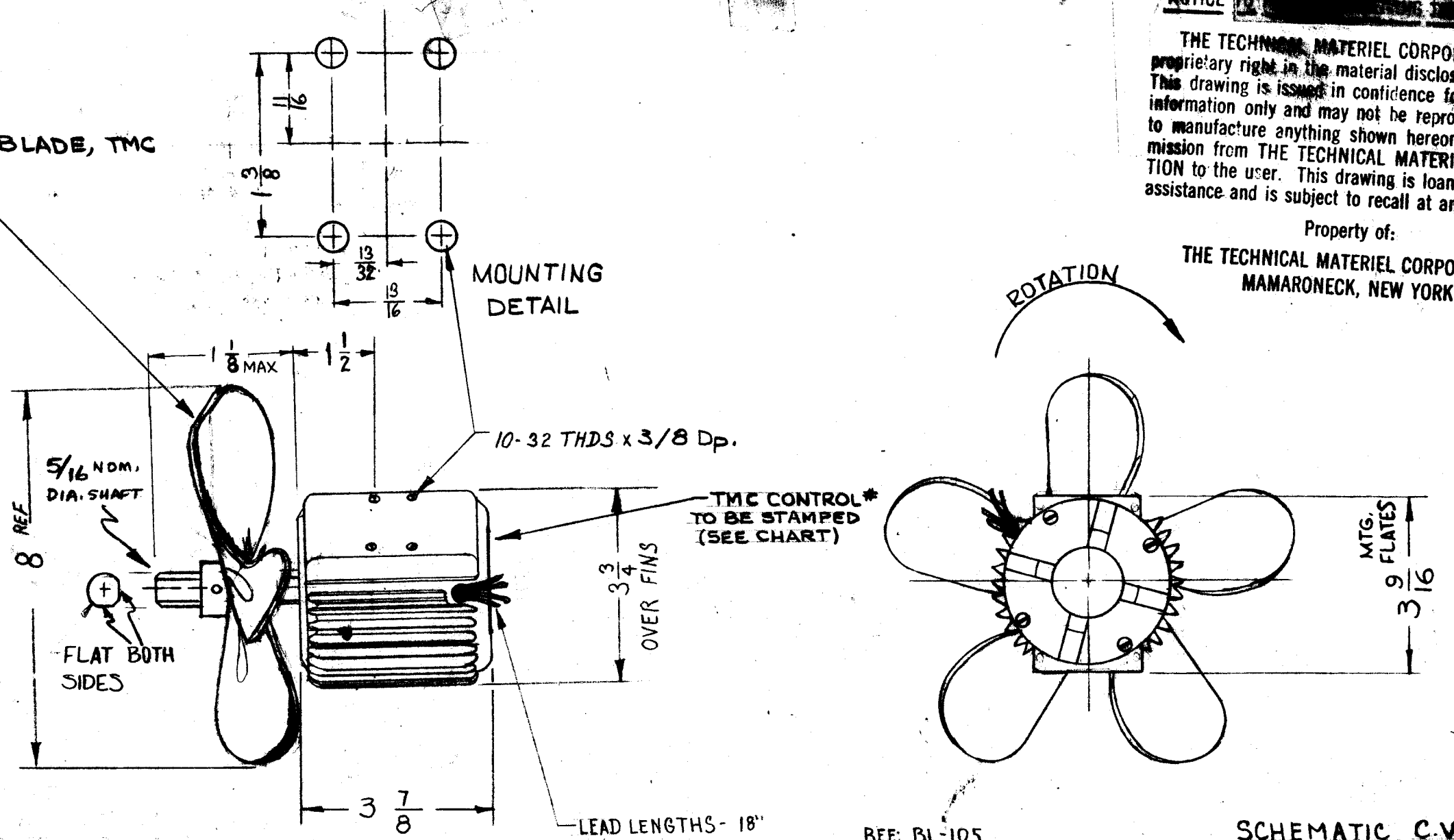
THE TECHNICAL MATERIEL CORPORATION claims proprietary right in the material disclosed hereon. This drawing is issued in confidence for information only and may not be reproduced or used to manufacture anything shown hereon without permission from THE TECHNICAL MATERIEL CORPORATION to the user. This drawing is loaned for mutual assistance and is subject to recall at any time.

Property of:
THE TECHNICAL MATERIEL CORPORATION
 MAMARONECK, NEW YORK

SPECIFICATIONS

- VOLTAGE ~ 115/230 (SEE HOOK UP)
- CAPACITANCE ~ 4 μ F
- NOMINAL RPM ~ 3400
- INSULATION ~ CLASS B
- FULL LOAD WATT ~ 100W
- LINE AMP ~ 1.0/0.5
- MAX. CFM ~ 740
- MAX. STATIC PRESSURE AT NO DELIVERY ~ 2.0"
- TOTAL NET LBS. ~ 5 1/2
- ROTATION ~ CW- (VIEWED FROM MOTOR END)
- PHASE ~ 1
- CYCLES ~ 50/60
- NOTE ~ SPECS. TAKEN WITH ENCLOSURE.

NOTE:
 .064 THK BLADE, TMC NO. BF-107



NOTE - THIS IS SAME AS BL-105 WITHOUT VENTURI & WITH SHORTOR SHAFT

NOTE - FOR SPARE PARTS REPLACEMENT OF REPARABLE PARTS SEE TMC LIST ERPL-BL108

| | | | | | | | |
|----------------|------|---|----------|---------|--------|---------|-----------|
| J | 2 | TMC CONTROL* CHART & NOTE AM | 11.12.64 | 12912 | JNB | @ | JC |
| ISSUE | ITEM | CHANGED FROM | DATE | CH. NO. | DRAFTS | CHECKER | ENG. APP. |
| TOLERANCES | | SCALE: | | | | | |
| DEC. DIM. ± | | MAXIMUM ALLOWABLE TOLERANCES HAVE BEEN DETERMINED AND ANY DEVIATIONS WILL BE CAUSE FOR REJECTION. | | | | | |
| FRAC. DIM. ± | | REMOVE ALL BURRS AND SHARP EDGES | | | | | |
| ANGULAR DIM. ± | | | | | | | |

| | | | |
|---------------|---------|-------------|------------|
| 1 | GPT-40K | AX-209 | 2-8-60 |
| REQ. PER UNIT | MODEL | PROJECT NO. | ASS'Y. NO. |
| USED ON | | | |

| REQ. ITEM | PART NO. | DESCRIPTION | SYMBOL |
|--|----------|-------------------|-----------------|
| THE TECHNICAL MATERIEL CORP. MAMARONECK, NEW YORK | | | |
| FAN AXIAL | | | |
| REVERSIBLE | | | |
| MATERIAL | | 917 | 110 |
| TYPE & TEMPER | | HEAT TREAT. SPEC. | DRAWN |
| FINISH & SPEC. NO. | | | CHECKED |
| | | | FINAL APPROVAL |
| | | ELEC. DES. APP. | MECH. DES. APP. |
| BL-108 J | | | |