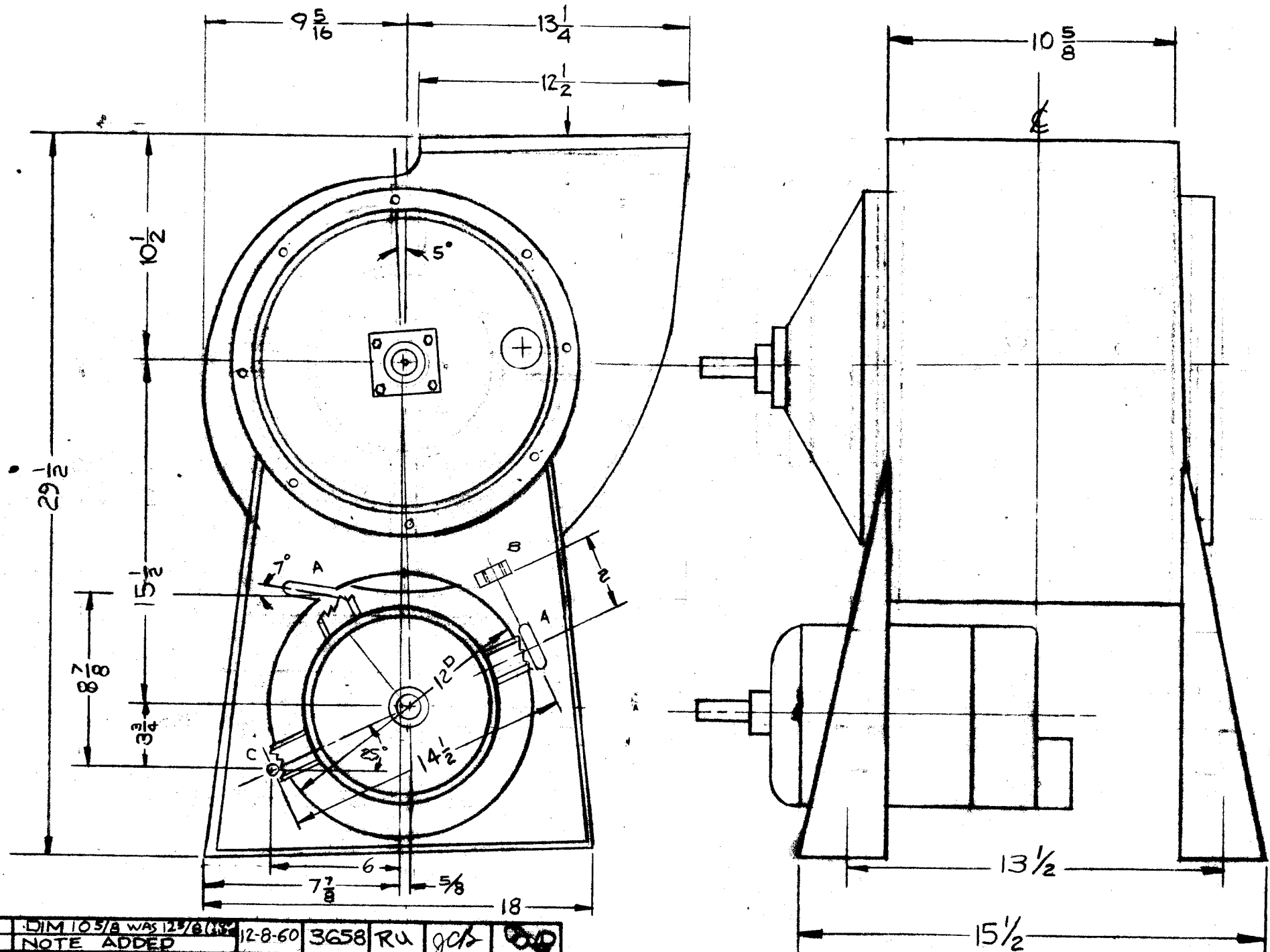


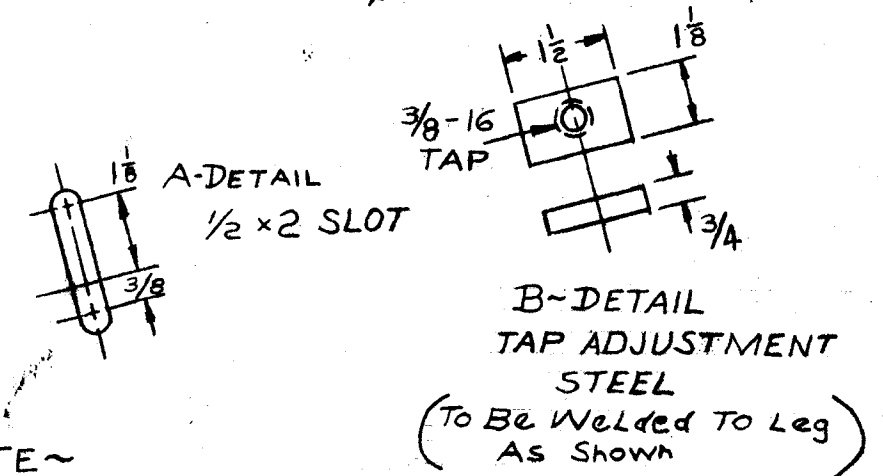
BL-107 C



ELECTRICAL & MECHANICAL SPECS.

3 PHASE , 208V , 60 CPS , 8.7 amp  
 3 HP , 3400 RPM  
 OPEN MOTOR  
 HOUSING : BC 122 - 06  
 CCW ROTATION UP BLAST

A~ SEE DETAIL 2 Req  
 B~ SEE DETAIL  
 C~ 7/16 DIA ~ 1 Req



~NOTE~  
 THIS BLOWER IS NO LONGER USED ON NEW GPT-40K'S, BUT MAY BE USED AS SPARE PARTS REPLACEMENTS FOR OLD UNITS ~

C	2	DIM 10 5/8 WAS 12 5/8	12-8-60	3658	RU	gcb	
B	1	NOTE ADDED					
	1	COMPLETELY REVISED	10-7-60	3029	RU		
A	4	REVISIONS	8-18-60	2772	RJL	gcb	jde
	3	A HOLE ADDED					
	2	B HOLE ADDED					
	1	D HOLE ADDED					
ISSUE	ITEM	CHANGED FROM	DATE	CH. NO.	DRAFTS	CHECKER	ENG. APP.
TOLERANCES		SCALE: 1"=6"		S-401- (ILG)			
DEC. DIM. ±		MAXIMUM ALLOWABLE TOLERANCES HAVE BEEN DETERMINED AND ANY DEVIATIONS WILL BE CAUSE FOR REJECTION. REMOVE ALL BURRS AND SHARP EDGES					
FRAC. DIM. ±							
ANGULAR DIM. ±							
		1	GPT-40K				1-6-60
		REQ. PER UNIT	MODEL	PROJECT NO.	ASSY. NO.		DATE

REQ.	ITEM	PART NO.	DESCRIPTION	SYMBOL
			THE TECHNICAL MATERIEL CORP. MAMARONECK, NEW YORK	
			BLOWER	
			MATERIAL	
			TYPE & TEMPER	
			HEATTREAT. SPEC.	
			DRAWN	
			CHECKED	
			FINAL APPROVAL	
			EM	
			BL-107	C