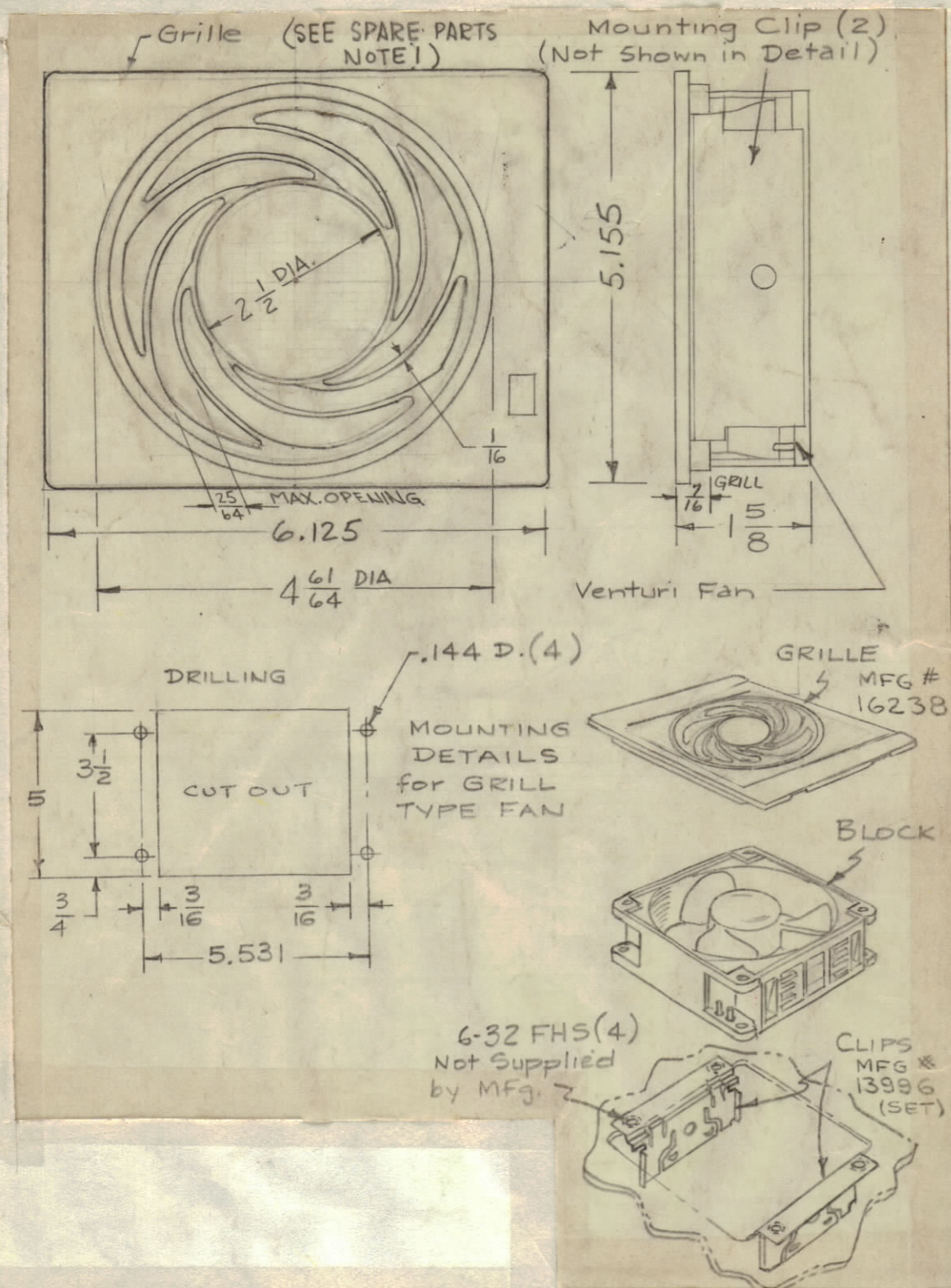


OBSOLETE DO NOT USE

BL106-1



BL106-3

1. SAME AS BL106-2 EXCEPT; WITH GRILL. (PURCHASE ONLY FROM S401-19)
2. GRILL WILL BE BLACK PLASTIC
3. FOR SPARE PARTS PURPOSE GRILL (MFG. P/N 16238) IS TMC P/N BL106-GR

BL106-4

SAME AS BL106-3 WITH FILTER (MFG. P/N 15448)

AIR FLOW: 80CFM FREE DELIVERY

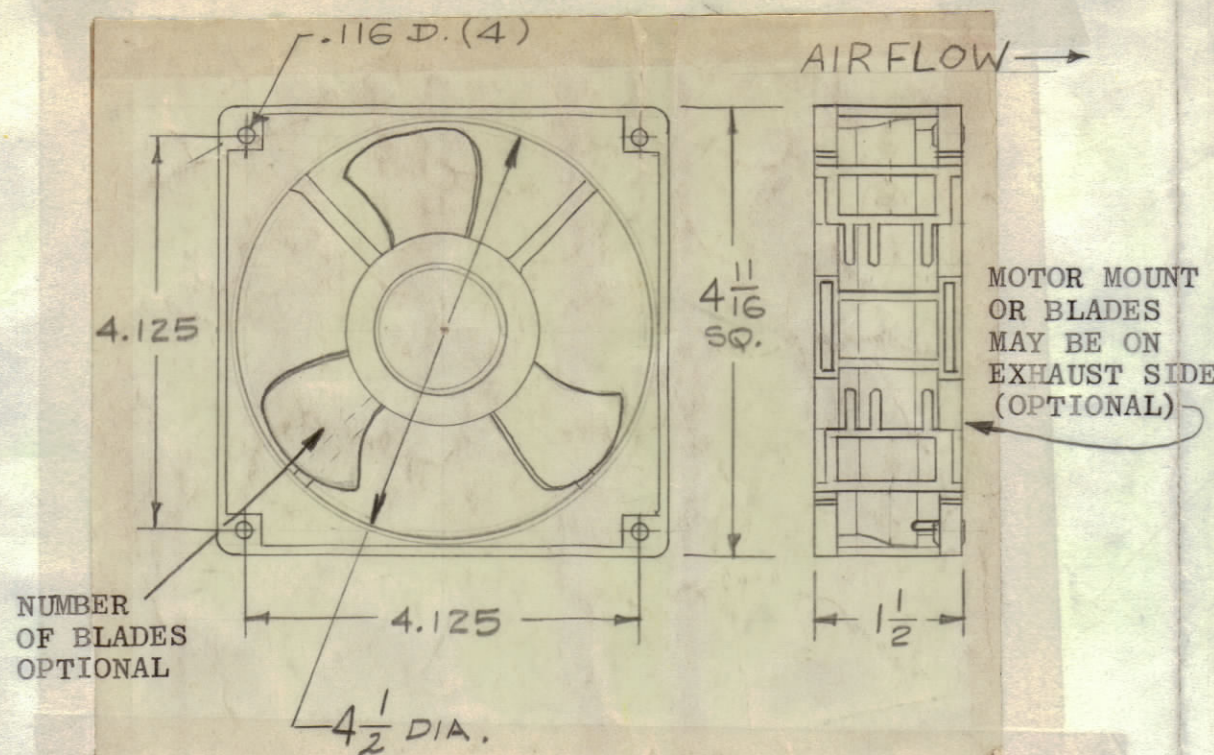
NOTE: BL106-4 MAY BE PURCHASED ONLY FROM S401-19

BL106-6

SAME AS BL106-5 EXCEPT:
 MOTOR BEARING: BALL BEARING
 VOLTAGE: 208/230 50/60 CPS SINGLE PHASE
 TEMP. RANGE: -32° TO 80°C
 LIFE: 80°C 25,000 HRS.

S401-116 (BOXER BS2107F-3)

TMC P/N TO BE STAMPED IN CONSPICUOUS LOCATION

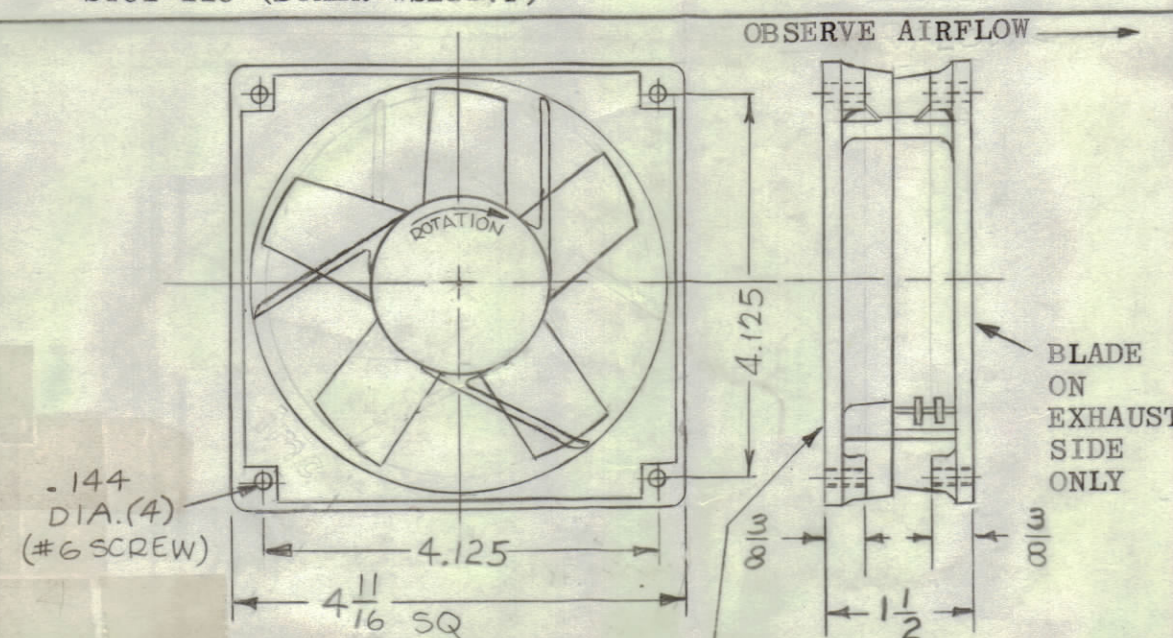


BL106-2

SPECS.

1. 100 CFM FREE DELIVERY
2. IMPEDANCE PROTECTED
3. NO LUBRICATION
4. VOLTAGE - 115VAC 50/60CPS 1 PHASE
5. POWER - 14 WATTS
6. LIFE - 72°C 25,000 HRS. 25°C 90,000 HRS.
7. MOTOR BEARING - SLEEVE
8. VENTURI BLOCK - BLACK PHENOLIC OR DIE CAST ZINC W/BLACK FINISH
9. TERMINALS - SOLDER TYPE TO ACCOMODATE PLUG & CORD
10. MOTOR MOUNT - OPTIONAL - MAY BE ON EITHER INTAKE OR EXHAUST SIDE.
11. USE - FAN MAY BE MOUNTED FOR IN-FLOW or OUT-FLOW AS DESIRED (REVERSE FAN TO CHANGE AIR FLOW DIRECTION).

S401-19 (MARK 4-M747)
 S401-116 (BOXER-WS2107F)



BL106-5

- NOTE: 1. SPECIFICATIONS SAME BL106-2 EXCEPT THAT THE MOTOR MOUNT IS ON INTAKE SIDE OF BLOWER AND THE BLADE IS ON EXHAUST SIDE OF BLOWER. (NOTE AIRFLOW)
2. BL106-5 MAY BE USED AS A BL106-2 BY REMOVING PART NO.
- NOTE: BL106-5 TO BE SPECIFIED WHEN USED WITH AN AD103-19 FILTER ONLY. BL106-2 OF EITHER MANUFACTURER WILL BE USED IN ALL OTHER APPLICATIONS.

S401-116 (BOXER WS2107F)
 TMC P/N TO BE STAMPED IN CONSPICUOUS LOCATION

NOTES

QTY./UNIT	MODEL USED ON	ASS'Y. NO.
SCALE	CODE	

THE CONTENTS OF THIS DRAWING ARE THE EXCLUSIVE PROPERTY OF THE TECHNICAL MATERIEL CORP. ITS UNAUTHORIZED USE OR REPRODUCTION IN WHOLE OR IN PART IS STRICTLY FORBIDDEN.

REVISIONS						
ZONE	SYM	DESCRIPTION	DATE	E.M.N. NO.	DRAFT	CHKD APPD
	J	WAS 2 SIZE COMPLETELY REVISED-5,-6 ADDED	7/23/65	14868	F.V.V.	JCB/VJM
	K	BLADE & MOTOR MT. NOTES ADDED. BL106-5 REVISED COMPLETELY. BL106-5 WAS BL105	11-23-65	15186	F.V.V.	JCB/JC
	L	.144 DIA FOR A#6 SCREW WAS .114	5/12/66	CC	WAD	JCB/JC

REQ'D.	ITEM	PART NUMBER	DESCRIPTION	SYMBOL
LIST OF MATERIAL				
MATERIAL		THE TECHNICAL MATERIEL CORP. MAMARONECK, NEW YORK		
FINISH		TITLE FAN, VENTILATING		
UNLESS OTHERWISE SPECIFIED DIMENSIONS ARE IN INCHES AND INCLUDE CHEMICALLY APPLIED OR PLATED FINISHES		DRAWN DY VENEZIAN	DATE 8/23/65	FINAL APPROVAL [Signature]
		CHECKED JCB	DATE 9/28/65	DATE 9/28/65
DECIMALS .X ± .05 .XX ± .01 .XXX ± .005		FRACTIONS ± 1/64 ANGLES ± 0° 30'		TOLERANCES
		ELECT. DES.	DATE	DATE
		MECH. DES.	DATE	DATE
		BL106		L
		SHEET		REV. LTR.

BL106 L