

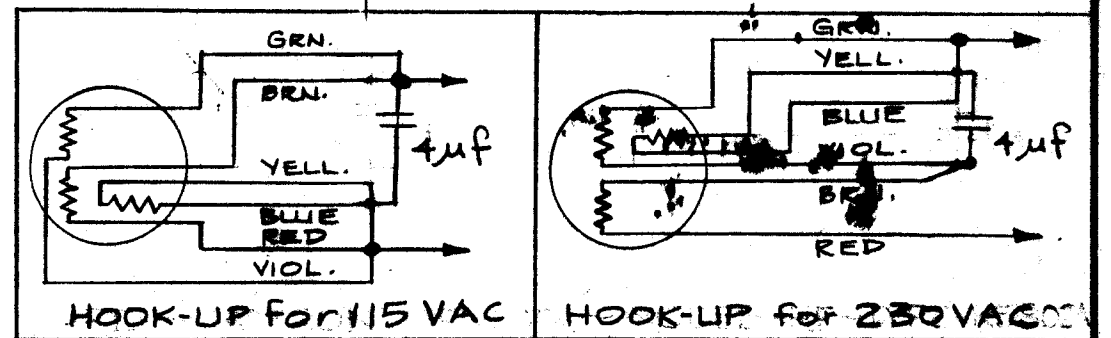
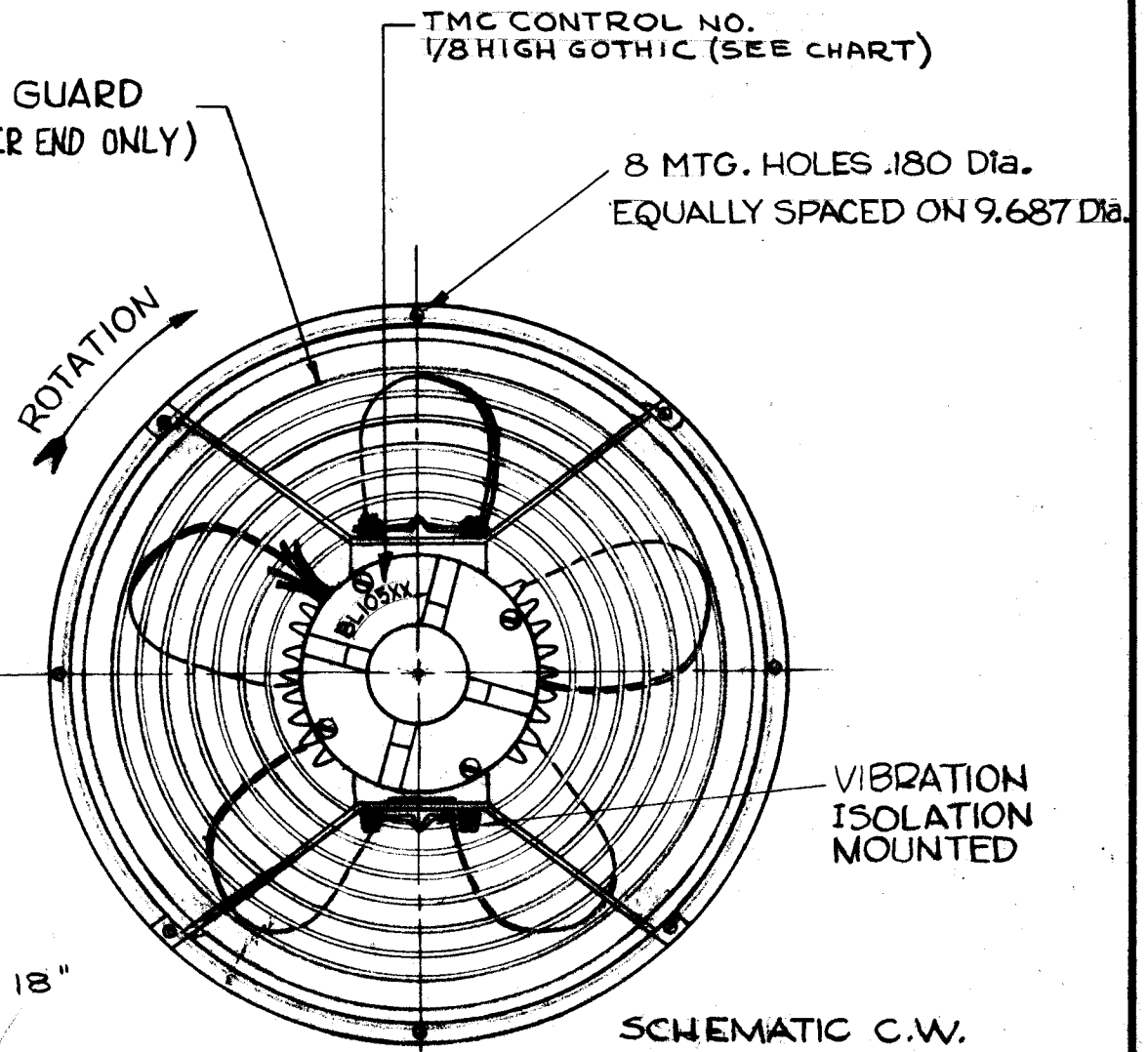
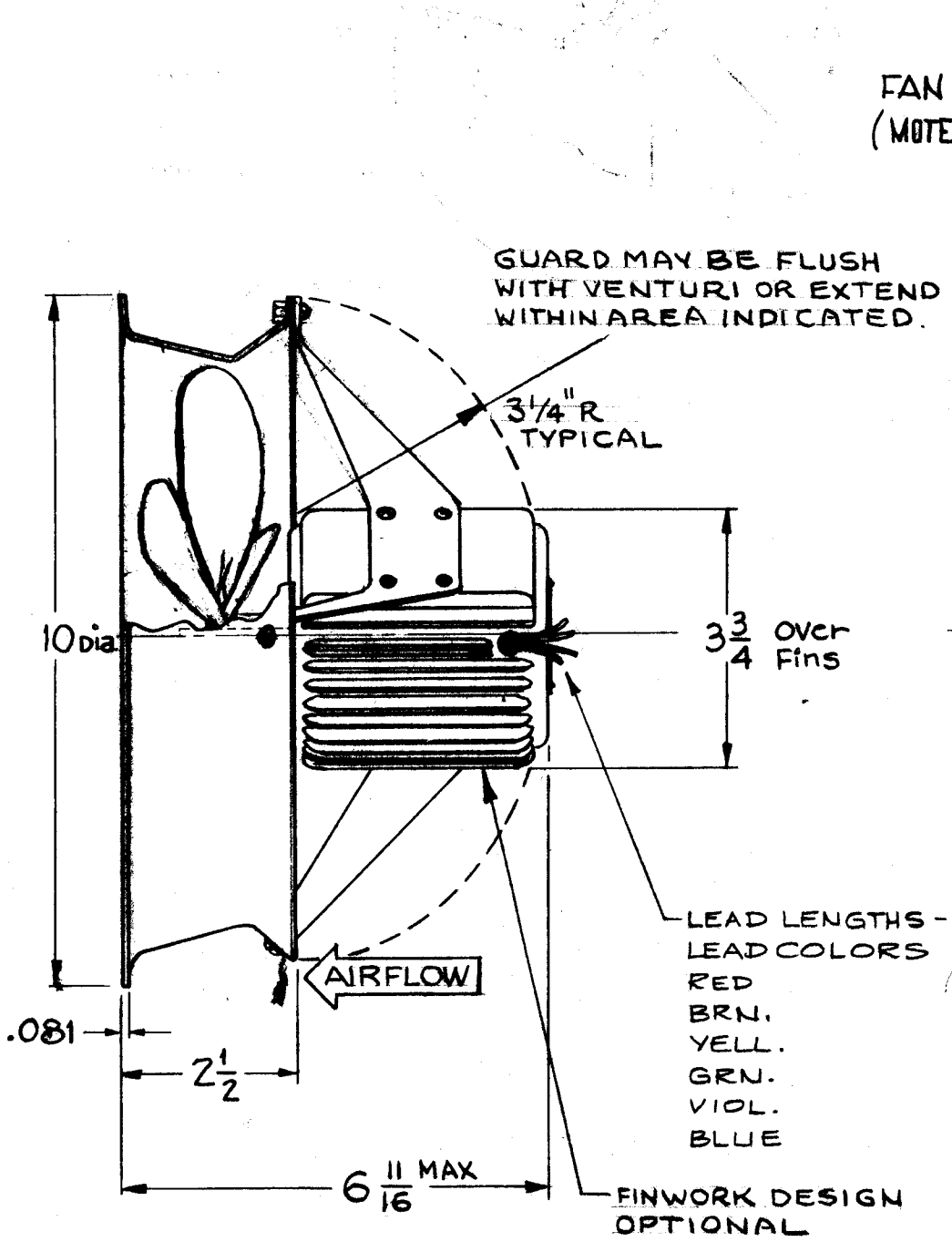
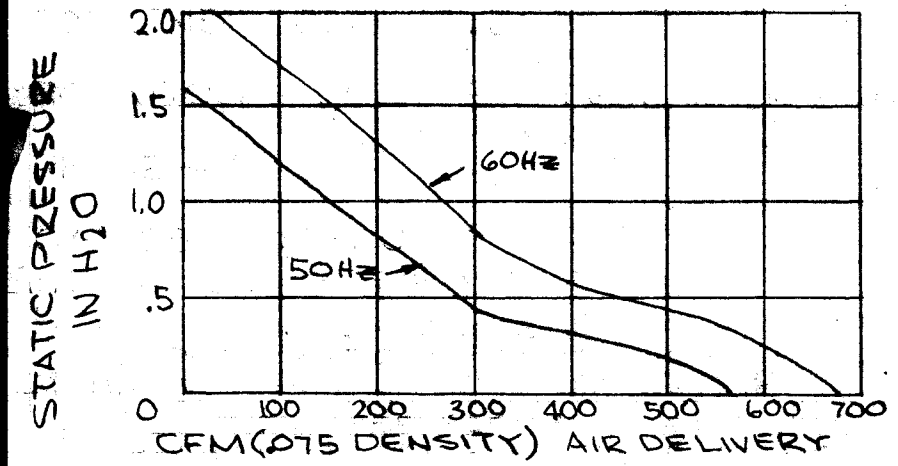
BL-105 H	TMC #	TMC CONTROL #	MFG. CODE	MFG P/N	REMARKS
	BL 105	BL105XX 116	S401-116	BC2922F-10	
	BL 105	BL105XX 19	S401-19	AO19150	

STANDARD DRAWING

SPECIFICATIONS ~

VOLTAGE ~ 115/230 (SEE HOOK-UP)
 CAPACITANCE ~ 4 μf
 NOMINAL RPM ~ 3400
 INSULATION ~ CLASS B
 FULL LOAD WATT ~ 100W
 LINE AMP ~ 1.0/0.5 MAX
 MAX. STATIC PRESSURE AT NO DELIVERY ~ 20
 MOTOR SHOCK ISOLATED FROM VENTURI
 NOTE ~
 1- MFG SHALL MARK ITEM WITH APPROPRIATE TMC CONTROL NO. CONTAINING HIS ASSIGNED CODE (SEE CHART)
 2- SEE ENG. REPLACEMENT PARTS LIST ERBL-BL105 FOR SPARE PARTS.

V	Hz	RPM	CURRENT	WATTAGE
115	60	3440	.92 AMP	87 WATT
115	50	2910	1.26 AMP	90 WATT



ISSUE	ITEM	CHANGED FROM	DATE	CH. NO.	DRAFTS	CHECKER	ENG. APP.
H		GRAPH AND DATA CHART ADDED	11.22.66	17272	WAW	<i>[Signature]</i>	<i>[Signature]</i>

TOLERANCES
 DEC. DIM. ±.010
 INC. DIM. ± 1/16
 HOLE DIM. ±

SCALE: S-401-116 BC2922F-10
 MAXIMUM ALLOWABLE TOLERANCES HAVE BEEN DETERMINED AND ANY DEVIATIONS WILL BE CAUSE FOR REJECTION.
 REMOVE ALL BURRS AND SHARP EDGES

1	GPT 10K		A-1785	10-19-59
1	GPT 10K		A-1739	4-24-59
REQ. PER UNIT	MODEL	PROJECT NO.	ASSY. NO.	DATE

REQ. ITEM	PART NO.	DESCRIPTION	SYMBOL
THE TECHNICAL MATERIEL CORP. MAMARONECK, NEW YORK			
FAN, AXIAL			
MATERIAL		J.C. BIELE	<i>[Signature]</i>
TYPE & TEMPER	HEAT TREAT. SPEC.	DRAWN	CHECKED
		<i>[Signature]</i>	<i>[Signature]</i>
FINISH & SPEC. NO.		ELEC. DES. APP.	MECH. DES. APP.
			BL-105 H